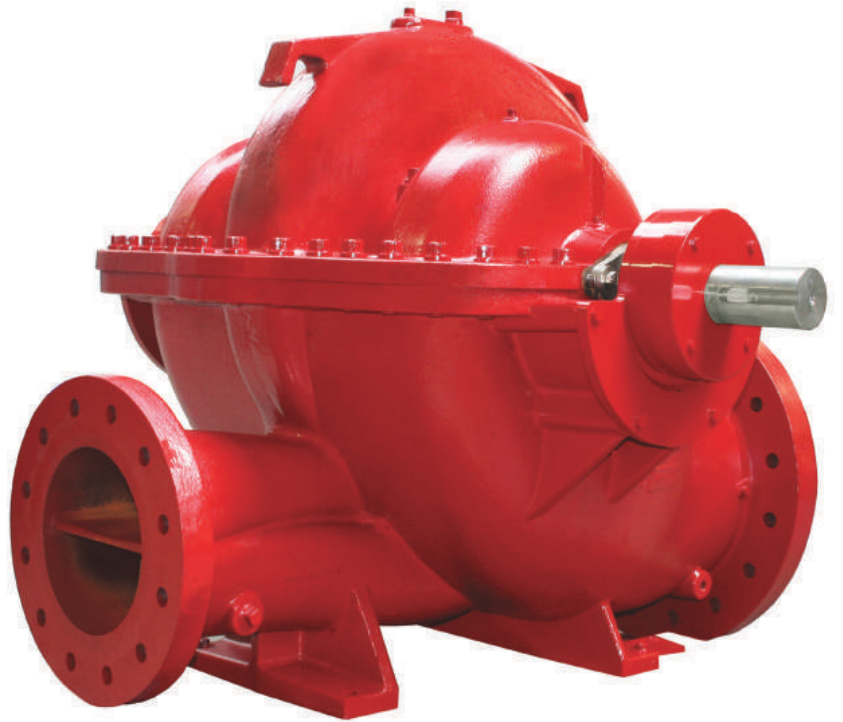
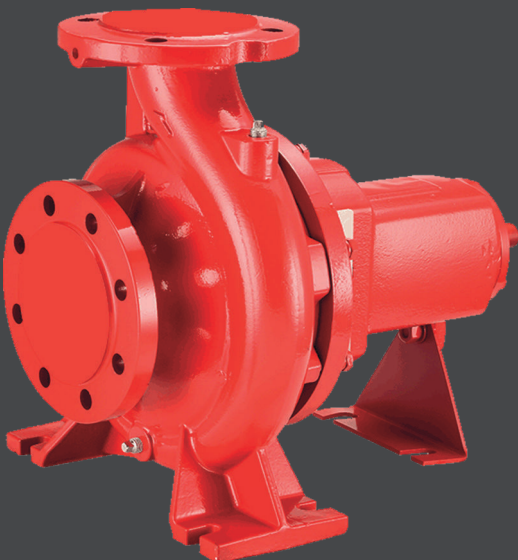



50HZ/60HZ



MENA
MECHANICAL INDUSTRIES CO.

FIRE PUMP




	Vendor Doc. No.
	TS-150010-SC 2553
Contractor Name: M/S. WATERWAVE	Contractor Ref. No K2587
Project Name:	Contractor Job No.

**FIRE PUMP SET
(SPLIT CASE)**

TECHNICAL SUBMITTAL

**CAPACITY
1500 US GPM @10 BAR**


0	SUBMITTED FOR APPROVAL	MS	KY		9/07/2025
Rev	Description	Prepared	Checked	Approved	Date

	Vendor Ref. No.	
	Contractor Ref. No.	
Project Name:	Contractor Job No.	

DOCUMENT INDEX

Part	Seq. No.	Doc. Ref.	Description	Remarks
GENERAL DOCUMENTS	01	GD-SVL	Sub-Vendor List	
	02	GD-CE	System Technical Specifications	
	03	GD-CP	UL/FM Certificates	
	04	GD-ST5	Catalogue and Trade License	
	05	GD-PA	PREVIOUS APPROVALS	
DIESEL DRIVEN PUMP	06	DDP-PSC-1500	Diesel Engine Driven Pump Specifications	
	07	DDP-DES	Diesel Engine Specifications	
	08	DDP-PCS-12V	Diesel Engine driven fire pump controller specifications	
ELECTRIC DRIVEN PUMP	09	EDP-PSC-1500	Electric motor driven pump specifications	
	10	EDP-EMS-150	Electric motor specifications	
	11	EDP-PCS	Electric motor driven fire pump controller specifications	
JOCKEY PUMP	12	JP-RV	Jockey Pump Specifications	
	13	JP-PCS-JP3	Jockey Pump Controller	
ACCESSORIES	14	A-CRV-R	Casing Relief Valve	
		A-ARV-VAL	Air Relief Valve	
		A-PG-W	Pressure Guages	
		A-FM-GRND	Flowmeter	
		A-CS-180	Diesel Fuel Tank Drawing	









0	SUBMITTED FOR APPROVAL				
Rev	Description	Prepared	Checked	Approved	Date


	Vendor Ref. No.	
	Contractor Ref. No.	
Project Name:	Contractor Job No.	

SUB VENDOR LIST

<i>Rev</i>	<i>Description</i>	<i>Prepared</i>	<i>Checked</i>	<i>Approved</i>	<i>Date</i>
0	SUBMITTED FOR APPROVAL				

SUB VENDOR LIST

EQUIPMENT	BRAND	MAKE	DESCRIPTION
SPLIT CASE FIRE PUMP		MENA MECHANICAL INDUSTRIES, UAE	RANGE: 300 - 8000 US GPM
DIESEL DRIVER	  <p style="font-size: small;">Enriching Lives</p>	BLACK STALION UL LISTED & FM APPROVED KIRLOSKAR UL LISTED & FM APPROVED	RANGE: 15 - 390 HP from 1400 - 3000 RPM RANGE: 62 - 330 HP from 1760 - 3000 RPM
FIRE PUMP MOTOR	  <p style="font-size: x-small;">A Regal Brand</p> 	TECHTOP MOTORS UL LISTED MARATHON UL LISTED	RANGE: 11kW - 350kW Type: ODP & TEFC, NEMA2 RANGE: 15HP- 400HP Type: ODP & TEFC, NEMA2
FIRE PUMP CONTROLLERS		TORNATECH, INC UL LISTED & FM APPROVED	RANGE: 11kW to 350KW Type: Diesel, Electric, Jockey
AIR RELIEF VALVE	<p style="text-align: center; color: red; font-weight: bold;">CAL-VAL</p> <p style="text-align: center; color: red; font-weight: bold;">OR FWIC Valves</p> <p style="text-align: center; font-size: x-small;">*As Per Availability</p>	CAL-VAL UL LISTED & FM APPROVED FWIC FM APPROVED	RANGE: 1/2 inch - 2 inch UP TO 300 PSI RANGE: 1/2 inch - 1 inch UP TO 300 PSI
FLOWMETER		GERAND, USA FM APPROVED	RANGE: 2-1/2 Inch to 8 Inch UP TO 300 PSI

	Vendor Ref. No.	
	Contractor Ref. No.	
Project Name	Contractor Job No.	

SYSTEM TECHNICAL SUBMITTAL

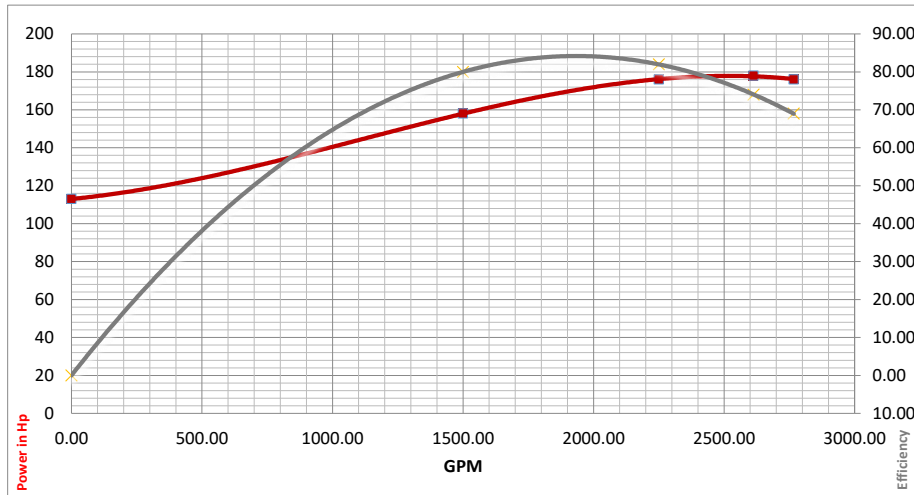
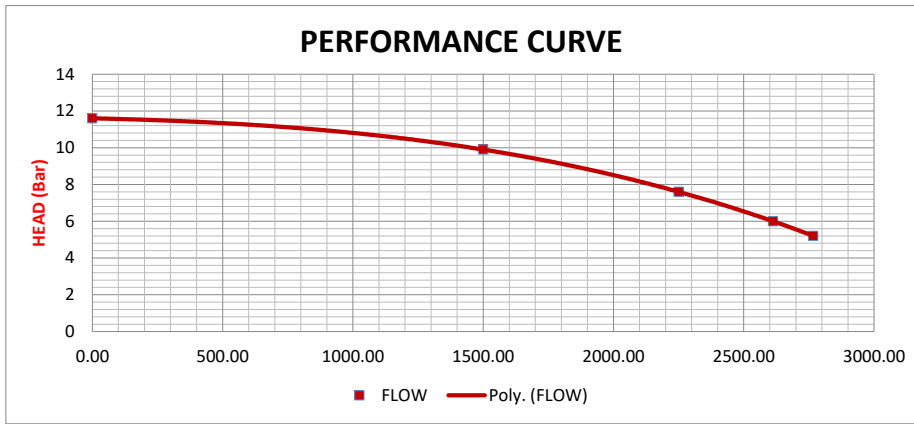
0	SUBMITTED FOR APPROVAL				
Rev	Description	Prepared	Checked	Approved	Date

PUMP PERFORMANCE CURVE

Pump	
Model	MSC8-150-310
Type	SPLIT CASE-50 HZ
Specific Speed	2980
FL-Dimension	8x6
Power Rating	
Engine HP	

Search Criteria			
Flow In GPM	1500	Head In (Bar)	9.99
Fluid			
Fluid	Water		
Atm Pressure	101 Mpa		
Impeller Details			
Impeller Dia(mm)	Ref Test Report		

Data Point	
Flow (GPM)	1500
Head (Bar)	9.99
Eff	80.00
MAX HP(EOC)	179.39
Design Curve	
Shutoff head	11.60
Flow @150%	2250
H(Bar)@150%	7.60
Power-150%	176.000
RPM	2,980
Driver Rating	
Motor (HP)	NA
Engine(HP)	217



Performance Evaluation

Flow In GPM	Pressure in M(Bar)	Power In HP	Eifficiency
0.00	11.60	113.000	0.00
1500.00	9.90	158.000	80.00
2250.00	7.60	176.000	82.00
2613.00	6.00	178.000	74.00
2767.00	5.20	176.000	69.00








*Manufacturer Reserves Right to Revise the specs and contains without prior notice

Performance Curve	original	Engineering	copy	N/A	DOC PCD-MSC8-150-310-1500-9.99
-------------------	----------	-------------	------	-----	--------------------------------

Diesel Fire Pump

Item Description

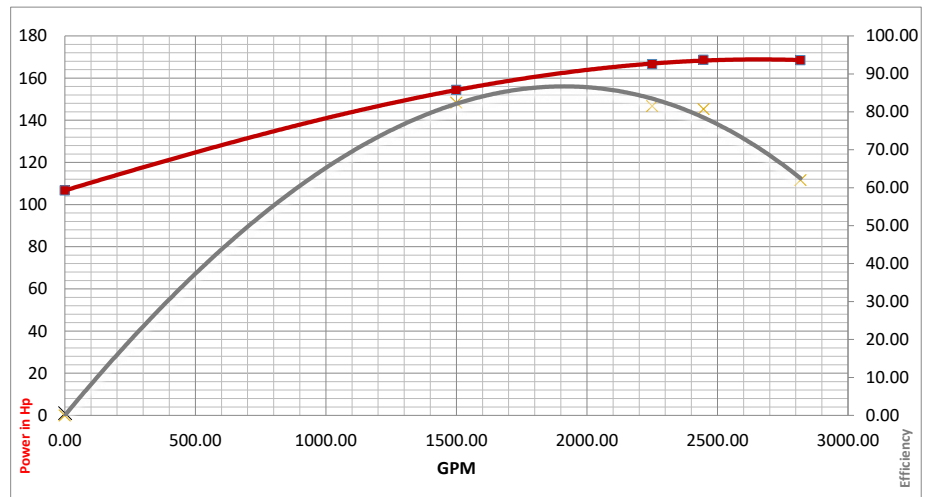
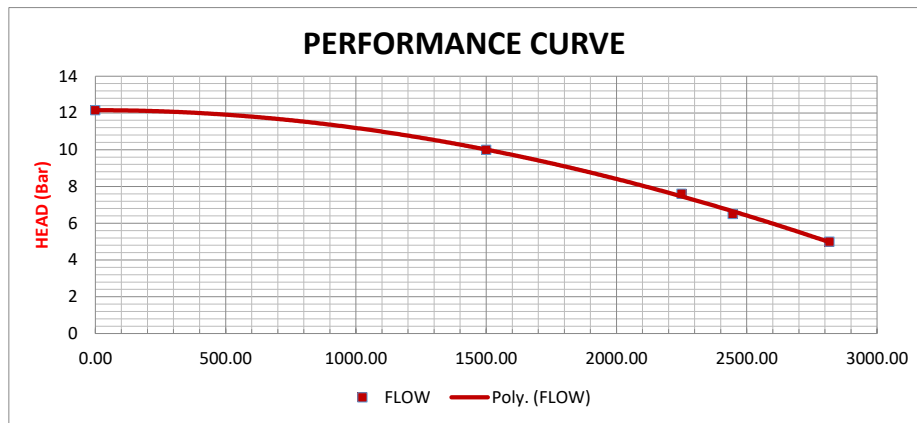
Proposed

<u>Diesel Pump:</u>	
Make	: MENA (MENA Mechanical Industries) UL Listed
Model	: MSC8-150-310
Type	: Split Case Fire Pump
Rated Flow	: 1500 USGPM
Rated Head	: 10 BAR
Rated Speed	: 2980 RPM
Casing	: Ductile Iron
Impeller	: Bronze
Material Shaft	: Stainless steel
Brand	: 
Pump Approval	: UL Listed 
<u>Diesel Engine:</u>	
Make	: KIRLOSKAR
Model / Hp	: KFP6R-UF26R2 - 217 HP
Cooling Method	: Heat Exchanger
Speed	: 3000 RPM
Engine Approval	: UL Listed & FM Approved  
<u>Diesel Pump Controller</u>	
Make	: "Tornatech" 
Model	: GPD-12-220
Operation	: Combined Automatic , Manual Start
Enclosure	: NEMA 2
Mounting	: FLOOR / WALL
Method of Start	: Standard
Operation Interface	: Standard
Power Supply	: 220V AC, 12V DC
Controller Approval	: UL Listed & FM Approved, Built to NFPA 20 Standards  

PUMP PERFORMANCE CURVE

Pump		Search Criteria			
Model	MSC8-150-250	Flow In GPM	1500	Head In (Bar)	9.99
Type	SPLIT CASE-60 HZ	Fluid			
Specific Speed	3550	Fluid	Water		
FL-Dimension	8x6	Atm Pressure	101 Mpa		
Motor Rating		Impeller Details			
Motor HP		Impeller Dia(mm)	Ref Test Report		

Data Point	
Flow (GPM)	1500
Head In (Bar)	9.99
Eff	82.40
MAX HP(EOC)	168.68
RPM	3550
Design Curve	
Shutoff head	12.15
Flow @150%	2250
H(Bar)@150%	7.60
Power-150%	166.560
Driver Rating	
Motor (HP)	150
Engine(HP)	NA



Performance Evaluation

Flow In GPM	Pressure in M(Bar)	Power In Hp	Eifficiency
0.00	12.15	106.690	0.00
1500.00	9.99	154.390	82.40
2250.00	7.60	166.560	81.50
2446.36	6.50	168.68	80.70
2818.00	5.00	168.460	62.00

*Manufacturer Reserves Right to Revise the specs and contains without prior notice

Performance Curve	original	Engineering	copy	N/A	DOC PCE-MSC8-150-250-1500-9.99
-------------------	----------	--------------------	------	-----	--------------------------------

Electric Fire Pump

Item Description

Proposed



<u>Electric Pump:</u>	
Make	: MENA (MENA Mechanical Industries) UL Listed
Model	: MSC8-150-250
Type	: Split Case Fire Pump
Rated Flow	: 1500 USGPM
Rated Head	: 10 BAR
Rated Speed	: 3550 RPM
Casing	: Ductile Iron
Impeller Material	: Bronze
Shaft	: Stainless Steel
Brand	: MENA
Pump Approval	: UL Listed
<u>Electric Motor:</u>	
Make	: TECHTOP
Protection	: Class F
Type	: ODP
Performance Rating	: 150 HP, 3Ph, 60Hz , 380V, 2 POLES
Speed	: 3550 RPM
Motor Approval	: UL Listed
<u>Electric Pump Controller</u>	
Make	: "Tornatech"
Model	: GPY-380\150\3\60
Operation	: Combined Automatic , Manual Start & Remote Start
Enclosure	: NEMA 2
Mounting	: FLOOR / WALL
Method of Start	: STAR DELTA
Operation Interface	: Standard
Power Supply	: 3Ph, 380V, 60Hz
Controller Approval	: UL Listed & FM Approved, Built to NFPA 20 Standards



Jokey Fire Pump

Item Description

Proposed

<u>Electric Pump:</u>	
Make	: PACIFIC OR MENA
Model	: RV
Type	: Vertical Multistage
Rated Flow	: 250 USGPM
Rated Head	: 11 BAR
Rated Speed	: 3500 RPM, 60 Hz
<u>Motor:</u>	
Type	: TEFC Motor
Power Supply	: 3 Ph, 380V, 60 hz
Rated power	: 50 Hp
Speed	: 3500 RPM
<u>Jockey Pump Controller</u>	
Make	: "Tornatech" 
Model	: JP3-380\50\3\60
Operation	: Combined Automatic , Manual Start
Enclosure	: NEMA 2
Mounting	: WALL
Method of Start	: DOL
Operation Interface	: Touch Screen
Power Supply	: 3 Phase, 380 V, 60 Hz
Controller Approval	: UL Listed / Built to NFPA 20 Standards 



Vendor Ref. No.

Contractor Ref. No.

Project Name:

Contractor Job No.

PREVIOUS APPROVALS

<i>0</i>	<i>SUBMITTED FOR APPROVAL</i>				
Rev	Description	Prepared	Checked	Approved	Date

التاريخ: 2023/10/19
الرقم: ME/LE/2023/C0106

خطاب

بموجب هذا نحن شركة ميناء للصناعات الميكانيكية (شركة اماراتية بموجب رخصة تجارية رقم 763789) ، نؤكد ان مؤسسة موج الماء المضخات للتجارة (شركة سعودية بموجب رخصة تجارية رقم 43069093569) هي وكيل تجاري / موزع في المملكة العربية السعودية ولديها الصلاحيات بالتقديم للحصول على الاعتمادات من الاستشاريين ، كما انها مسؤولة عن خدمات الفحص وما بعد البيع لمضخات اطفاء الحريق ذات العلامة التجارية – MENA.

المدير العام

شركة ميناء للصناعات الميكانيكية



Material Submittal Form

TRS-CN-FRM-0018



General Information			
Contractor	Coastal Contracting Company	Submittal No.	012
Contract No.	CC3000-CCC	Date	27-Jan-24
To the Engineer	Electrical Engineer	Approved Subcontractor <i>(as applicable)</i>	

Material Information			
Material Description <i>(One item only per Form)</i>	Fire Fighting Pump Set		
As per Specification	Proposed	Alternative	YES
Drawing Reference		BOQ Ref. No.	NA
Specification Reference	NA	Standards, BS, DIN	-

Manufacturer/Supplier			
Company Name	Mena Mechanical Industries Co.	Locally Manufactured	NA
Address	601-Shaheel 1 - Nahda 1- United Arab Emirates		
Local Agent	Water Wave Pump Trading EST.	Other Details	NA
Program Date <i>(Material Required on Site)</i>		Expected Arrival Date <i>(on Site)</i>	

Contractor's

Mahmoud Alshebli
Name

Signature

31-Jan-24
Date

Design Consultant - Comments

Comments: **Submit:
Test Certificate**

Ahmed Senan
Name

Signature

Date

Engineer's - Comments

Comments:

Name

Signature

Date

Status Code

Accepted Accepted with Comments Revise and Resubmit

Rejected Review not Required

SUBMITTAL REQUEST طلب اعتماد

PRE. DATE: التاريخ التقديم:	التقديم السابق: DATE: 17/05/2023	NO. رقم الاعتماد:	المالك: CLIENT
CONTRACTOR: المقاول:	CONSALTANT: الاستشاري:		
 MASADER PLUS LTD. MEP – LC Tabuk, KSA	 MOHAMMED FAHD ALSAUD ARCHITECTURE CONSULTANTS 3690, Jeddah 21481 KSA	 Saudi Air Navigation Services, Jeddah, KSA	

PROJECT: KKIA FIRE PROTECTION (ATCT, ACC & TSC) اسم المشروع:			
ARCH	<input type="checkbox"/>	معماري	Design Drwgs.
STR	<input type="checkbox"/>	إنشائي	Shop Drwgs.
ELEC	<input type="checkbox"/>	كهرباء	Materials
MECH	<input checked="" type="checkbox"/>	ميكانيكا	Specs/Data
Other	<input type="checkbox"/>	أخرى	Other

بند رقم	وصف البند للإعتماد	رقم المبني	كتالوج الصانع أو مخططات المقاول	رقم المواصفات الفنية	عدد النسخ
ITEM NO.	DESCRIPTION OF ITEM	BLDG. NO.	MFG.CAT. OR CONTR. DRAWING NO.	SPEC. REF.	NO. OF COPIES
1	FIRE FIGHTING PUMP 1000 gpm & 16 bar	ATCT	MENA Fire Pumps		1
2	FIRE FIGHTING PUMP 500 gpm & 8 bar	ACC	MENA Fire Pumps		1

SIGNATURE: التوقيع:	CONSULTANT RECEIVED ON NAME: الاسم:
---------------------	-------------------------------------

REMARKS: الملاحظات:

Control panel for both fire pumps should operate to work on 55 degree temprature

500 GPM pump should operate delta star not DOL , Jocky pump for ATCT should starting methos (Delta star) not DOL

BATTERIES sholud not less than 2022 production

Contractor should arrange with supplier a bout diesel pump heater and all required wires connection to pump

For ACC building , IP control panels should not less than IP55 beause it is outdoor installation

	المهندس المختص:	مدير المشروع:	التاريخ:
--	-----------------	---------------	----------

COMMENTS: الملاحظات:

Project Engr. (SANS) مهندس المشروع المالك:	التاريخ: 23.12.2023	<input type="checkbox"/> Approved <input type="checkbox"/> Approved except as noted <input type="checkbox"/> Resubmit as noted <input type="checkbox"/> Disapproved <input type="checkbox"/> For Information	معتمدة معتمدة مع ملاحظات يعاد التقديم بعد التعديل مرفوضة للعلم
Project Manager (SANS) مدير المشروع المالك:			

SIGNATURE: التوقيع:	CONTRACTOR RECEIVED ON NAME: اسم المقاول بتاريخ:
---------------------	--

- Diesel tank volume & dimension to be specified in the submittal.
- Selection is based on actual hydraulic calculation , any lack of coordination is the contractor responsibility.
- Refer to Electrical Comments.
- Installation drawing for main and diesel pumps including any missed accessories should have been presented from the supplier
- Capable of furnishing not less than 150 percent of rated capacity at not less than 65 percent of total rated head. Shutoff head is limited to 140 percent of total rated head.
- Flow measurement systems components to be match with project pressure ratings.



محمد فهد السعود

للإستشارات الهندسية
 MOHAMMED F. ALSAUD CONSULTANT
 4030250538
 التسجيل التجاري: 3110003976
 رقم الترخيص: 3110003976



**DUKAN WAREHOUSE
AL KHUMRAH - JEDDAH**

S. No.	Materials	Listings	Approved / Acceptable Brands	Remarks
1	Black Steel Sch#40 Pipes	SASO	SSP / Sumitomo / Jazira	require sample for GMC Sch#40, ERW pipes
2	Grooved Fittings	UL / FM	Victaulic / Gruvlok / Shurjoint	require sample for LEDE groove fittings
3	Threaded Fittings	SASO	Gourd Hitachi	
4	Alarm Check Valves, OS&Y Gate Valves, Gear Operated Butterfly Valves, Swing Check Valves, Strainer, Zone Drain & Test Valves	UL / FM	Victaulic / Gruvlok / Tyco	
5	Automatic Air Vents	UL / FM	Claval	
6	Sprinklers	UL / FM	Victaulic / Viking / Gem / Tyco	
7	Fire Extinguishers	SASO	Sffeco	
8	Fire Hose Cabinets	SASO	Sffeco	
9	Fire Department Siamese Connection	UL / FM	Potter / Giocomini	
10	Flow Switches	UL / FM	Potter	
11	Aerosol System	UL / FM	STAT-X	
12	Detection / alarm and Agent Release panel for Aerosol System	UL / FM	Potter	
13	Fire & Jockey Pumps	UL / FM	Mena	
14	Fire & Jockey Pump's Panels	UL / FM	TornaTech	
15	Flow Meter	UL / FM	Gerand	
16	Pilot Operated Relief Valve for Diesel Pump	UL / FM	Claval	
17	Emergency Lights (minimum 3 hours backup)	SASO	Vielux	
18	Fire Alarm System	UL / FM	Simples / Context	
19	Fire Doors	SASO	Sffeco	
20	Pressure Gauges	UL / FM	WIKAI	
21	Hangers / Supports / Threaded Rods	UL / FM		require sample for submitted brand

Consultant

Project Management

Contractor

MATERIAL SUBMITTAL FORM

Project Name. : BUTAT RISE TOWER , ALSHUBALY -DAMMAM

Project No. : Date : 06/07/2024

Submittal No. : SH2-MAR-M-005 Specs Ref. No.

Contract Drawing Ref. No. : B.O.Q Ref. No.

DISCIPLINE

Arch. Civil Elec. Mech. HVAC L.S. H.S. Other

Attachments

Technical Brochure () Manufacturer Specs () Sample () O & Manual () Others

Material Description

Fire Pump

Item in BOQ	Item	Brand	Model
UL Listed Diesel Pump:		MENA	MSC5-80-350
UL Listed Split Case Fire Pump - 1000 gpm@17bar		KIRLOSKAR	KFP6R-UF26R1/ 247 HP
UL/FM Diesel Engine		"Tornatech", Canada	GPD-12-220
UL/FM Diesel Pump Controller		MENA	MSC6-125-310
UL Listed Electrical Pump:		MARATHON	ODP
UL Listed Split Case Fire Pump - 1000 gpm@17bar		"Tornatech", Canada	GPY-380\250\3\60
UL Listed Electric Motor:		PACIFIC	RV32
UL/FM Electric Pump Controller		TEFC Motor	Power : 30 HP
Jokey Pump:		"Tornatech", Canada	JP3-380\30\3\60
Vertical Multistage - 100 gpm@17bar			
Electric Motor:			
UL Listed Jockey Pump Controller			

Name of Manufacturer :

MINA Mechanical Industries Company

Postal Address Dammam - Saudi Arabia

Tel #

Fax #

Web site address :

E-mail:

Local Supplier / Agent : **Professional Structure Services Co. (PSS)**

Postal Address Dammam - Saudi Arabia

Tel #

Fax #

Web site address :

E-mail:

Contractors Comments

Name: Eng. Riyadh Saif Date: 06/07/2024

Signature:

Management Comments

Name: _____ Date: _____ Signature: _____

(A) Approved (B) Approved as Noted (C) Revise and re submit (D) Rejected

COMMENTS

Comments

Date :

Signature

FINAL APPROVAL

Consultant

Project Management

Name : _____ Date : _____

Name : **Eng. Ahmed Elghareeb** Date **25-08-2024**

Signature : _____

Signature : _____

CONSULTANT  أحمد الراشد الحميد استشارات هندسية AHMAD AL RASHID AL HUMAID CONSULTING ENGINEERS	OWNER  مخزن Makhzan	CONTRACTOR  FPC FIRST PERIOD COMPANY
--	---	---

PROJECT NAME: MAKHZAN 3
MATERIAL SUBMITTAL

New Submittal Submittal No: **MS- MECH -07** Rev.: 01 Submittal Date: **28/08/2024**
 Resubmittal Previous Sub No: **MS- MECH -07** Previous Submittal Date: **30/07/2024**

DISCIPLINE GENERAL STRUCTURAL MECHANICAL ARCHITECTURAL ELECTRICAL

Drawing Ref. No:00	B.O.Q Ref. No:12
Specification Ref.:	Standards:

MANUFACTURER	SUPPLIER/LOCAL AGENT	ORIGIN
MENA	MENA	SAUDI

DESCRIPTION FIREFIGHTING - FIRS PUMP SET 1500 GPM & 10 BAR	ATTACHEMENTS: TECH. BROCHURE <input checked="" type="checkbox"/> CERTIFICATE <input type="checkbox"/> MANUFACTURER SPECS/DIR. <input type="checkbox"/> METHOD STATEMENT <input type="checkbox"/> SAMPLES <input type="checkbox"/> O&M MANUALS <input type="checkbox"/> SPARE PART LIST <input type="checkbox"/> WARRANTY <input type="checkbox"/> OTHERS <input type="checkbox"/> If any others specify	DETAILS: <input type="checkbox"/> Local Manufactured <input type="checkbox"/> G.C. Manufactured <input type="checkbox"/> Production Period <input type="checkbox"/> Overland Freight <input type="checkbox"/> Sea Freight <input type="checkbox"/> Total Freight <input type="checkbox"/> Total Delivery Time <input type="checkbox"/> Planned Delivery Date <input checked="" type="checkbox"/> As Specification <input type="checkbox"/> Alternative
APPLICATION		

Required Material Date On Site:	Expected Arrival Date On site:
--	---------------------------------------

Contractor's Engineer : Name: Signature: Date:	Contractor's Project Manager: Name: AHMED FAIZY Signature:  Date: 28/08/2024
--	--


CONSULTANT'S COMMENTS

A Approved
 B Approved as Noted
 C Revise and Resubmit
 D Rejected
 E No Action

Architect/Engineer's review is aimed at ensuring general compliance with the design intent and contractual documents. Markings or comments do not absolve the Contractor/Subcontractor from adhering to the project plans and specifications, nor from any deviations. The Contractor/Subcontractor retains responsibility for the details and accuracy.

Depending on Last Approved Civil defense Data and Concept design:

- 1- The Submittal is approved with notes - Contractor has to submit Origin, and Test certificates.
- 2- Contractor Has to instruct P.O to estimate Manufacturing and Supply Period.
- 3- Contractor Has to submit S.D with DEEP DETAILS & Sections to every part of PUMP ROOM.

CONSULTANT ENGINEER: <input type="checkbox"/> Arch/Civil <input checked="" type="checkbox"/> Electrical / Mechanical Name: Ahmad Alsherbiny Signature:  Date: 14/10/2024	CLIENT REPRESENTATIVE Name: Signature: Date:
REF. IN Signature: Date:	REF. OUT Signature: Date:

Material Submittal

OWNER	: AL MOUSA HEALTH GROUP		
CONSULTANT	: --	Document No.	: AZ-PHC-MAT-ME-009
CONTRACTOR	: AL BADEEL CONTRACTING	Date	: 13-3-2025
PROJECT	: AZIZIYA PRIMARY HEALTH CARE	Project No.	: PHC
LOCATION	: Al Khobar		

Project	AZIZIYA PRIMARY HEALTH CARE	Submittal No.	REV00	Ref. Spec's	3.3
Ref. Dwg.	----	Date			

Description: (Manufacturer, Model No, Type, Size, Color Etc.)

Fire Pump (MENA)

Catalogue
 Drawing
 Sample
 Certificate
 Others

Having Checked this submittal, we certify it conforms to the requirements
Of the contract Documents in all respects, except as otherwise indicated herein

Contractor: Eng. Karim Mahmoud

Signature: K.M

Date: 13-3-2025

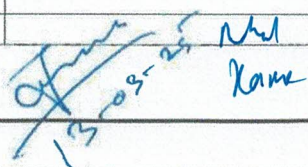
ACTION

- Approved (A)
 Approved As Noted (B)
 Resubmittal Required (C)
 Not Approved (D)

Remarks/Comments

approved subject to : attached calculation for final selection approval
final approval after ceville defence approval

Profession	Name	Signature	Review Date
Site Manager			
Civil/Structural Engineer			
Architect			
Electrical Engineer			
Mechanical Engineer			



13-03-25
Karim

Mohamed Sayed

From: sherif.azab@madar-eng.com
Sent: Monday, August 21, 2023 11:54 AM
To: 'nbajudah@mina.com.sa'
Cc: ahaddad@mina.com.sa; dr.ahmed@madar-eng.com; mohamed.sayed@madar-eng.com
Subject: اعتماد ظلمبة الحريق الرئيسية - أبراج منى

المحترمين
المحترم

السادة / شركة منى العقارية
عناية / المهندس نبيل باجودة
تحية طيبة وبعد

- بمراجعة الكتالوج المرسل من طرفكم الخاص بظلمبة الحريق الرئيسية ماركة MENA نفيدكم بالاتي:
- تم اعتماد المضخات موديل VT150-265 قدرة 750 جالون / دقيقة ومعدل ضغط 17 بار.
 - الاعتماد شامل المضخات والمحركات ولوحات التحكم والمحابس.
 - الاعتماد طبقا للشهادات المقدمة من ال UL وال FM.
 - يلزم على المصنع تقديم شهادة الإنشاء للمضخة وكذلك شهادة الاستيراد كون بلد المنشأ غير المملكة العربية السعودية.
 - يرجى التنبيه على المصنع ان يكون طول الغاطس (ال SUMP DEPTH) مطابق لعمق الخزان.
 - تركيب الغرفة يكون طبقا للمخططات المعتمدة و NFPA.

Technical Submittal

<https://drive.google.com/file/d/100nDm2AvDh-R3Ov8AfbCJIRMFaLkklCx/view?usp=sharing>

Kind regards,



Sherif Azab,CFPS

Team Leader

+966563692585 | www.madar-eng.com | sherif.azab@madar-eng.com

7th floor-Msharek tower-3rd ring road-Makkah

Checklist for Testing Fire Set-Pump Name / Electric – Diesel - Jockey

Project:	Bandar Hamadeh for Contracting
Installation site:	Makkah Aziziya
Date of Start-Up	17/12/2023

KSB/Duplex Submersible Pump Set

Performance data:	
Pump Brand and Manufacture:	Pump Name/Origin
Pump Set Type:	Fire Fighting Pumps Set
Number of Pumps:	Electric – Diesel - Jockey
Set Location:	Fire Set Room

Condition inspection:	
Visual inspection of condition, impermeability and pressure gauge levels	Checked
Inspection of any leak in the fire set	Checked
inspection of control efficiency and smooth operation of pumps	Checked
Inspection / access to the installation room	Checked
Inspection of condition of installation area	Checked

Operating mode:	
Pump One (Electric)	AUTO
Pump Two (Diesel)	AUTO
Pump Three (Jockey)	AUTO

Fire set activation / Pressure Set point	
Electric Pump	Cut in: 160 Psi/ Cut out: 232 Psi
Diesel Pump	Cut in: 150 Psi/ Cut out: 232 Psi
Jockey Pump	Cut in: 190 Psi/ Cut out: 290 Psi
Voltage(V)	385 – 390 VOLT



Pumps testing

Operating pump 1	Done
Operating pump 2	Done
Operating pump 3	Done
Dry running protection	-
Peak load pump 1	Checked
Peak load pump 2	Checked
Peak load pump 3	Checked
Back up pump 1	Checked
Back up pump 2	Checked
Back up pump 3	Checked
Direction of rotation	Checked

Visual check

Check the function of the ball valve	Checked
Check pressure gauges operation	Checked
Check electrical connections	Checked
Check for any leakage in the pumps	Checked

Remarks:

Firefighting Pump Set have been tested and is functioning at full capacity with all accessories. It was handed over to the project manager and is in outstanding performance.



Imad Al Halabi
Waterwave Est
0553004066
imad@waterwave.site
www.waterwave.site



Successful Handling Over Certificate

شهادة إنجاز و تسليم نهائي

شركة بندر حميدة للمقاولات مكة المكرمة

تشهد بان.....
مجموعه الحريق يو إل ماركة مينا الإماراتية قد تم استلامها من قبل إستشاري الأمن و السلامة في الموقع و هي تعمل بصورة جيدة و بكفاؤة 150% و حسب التقرير المرفق

Bandar Hmeida Contracting Co

We the undersigned , we confirm that above MENA UL Listed Fire Fighting Pump Set we handled over successfully to safety consultant and as per above parameters and 150% efficiency .





Vendor Ref. No.

Contractor Ref. No.

Project Name:

Contractor Job No.

UL/FM CERTIFICATES

0	SUBMITTED FOR APPROVAL				
Rev	Description	Prepared	Checked	Approved	Date

CERTIFICATE OF COMPLIANCE

Certificate Number EX28977
Report Reference EX28977-2023-04-05
Issue Date 2023-APRIL-18

Issued to: **MENA MECH IND CO.**
Sharjah Al Sajaa Industrial Shed 6
Victory Warehouse, Sajja New Industrial Area
Sharjah, United Arab Emirates

This certificate confirms that representative samples of Centrifugal Fire Pumps, Split Case
See Addendum for Models

Have been evaluated by UL in accordance with the Standard(s) indicated on this Certificate.

Standard(s) for Safety: ANSI/CAN/UL 448 – Centrifugal Stationary Pumps for Fire-Protection Service

Additional Information: See UL Product iQ® at <https://iq.ulprospector.com> for additional information.

This Certificate of Compliance indicates that representative samples of the product described in the certification report have met the requirements for UL certification. It does not provide authorization to apply the UL Mark. Only the Authorization Page that references the Follow-Up Services Procedure for ongoing surveillance provides authorization to apply the UL Mark.

Only those products bearing the UL Mark should be considered as being UL Certified and covered under UL's Follow-Up Services.

Look for the UL Certification Mark on the product.

Deborah Jennings-Conner

Deborah Jennings-Conner, VP Regulatory Services

UL LLC

Any information and documentation involving UL Mark services are provided on behalf of UL LLC (UL) or any authorized licensee of UL. For questions, please contact UL Customer Service at <http://ul.com/aboutul/locations/>



CERTIFICATE OF COMPLIANCE

Certificate Number EX28977
Report Reference EX28977-2023-04-05
Issue Date 2023-APRIL-18

This is to certify that representative samples of the product as specified on this certificate were tested according to the current UL requirements.

Model	Rated Capacity, GPM (L/Min)	Inlet Size, in.	Outlet Size, in.	Minimum Net Pressure Range, psig (kPa)	Maximum Net Pressure Range, psig (kPa)	Approx Speed, RPM	Max Working Pressure, psig (kPa)
MSC10-200-350	2,000 (7,570)	10	8	123 (848)	239 (1,647)	2980	362 (2,495)
	2,500 (9,462)	10	8	114 (786)	227 (1,565)	2980	362 (2,495)
MSC10-200-430	2,500 (9,462)	10	8	138 (951)	138 (951)	1800	275 (1,896)
	2,500 (9,462)	10	8	125 (861)	190 (1,310)	2100	275 (1,896)
	3,000 (11,355)	10	8	144 (992)	187 (1,289)	2100	275 (1,896)
MSC10-200-450	2,500 (9,462)	10	8	124 (854)	155 (1,068)	1760	333 (2,295)
	2,500 (9,462)	10	8	165 (1,137)	203 (1,399)	2000	333 (2,295)
	3,000 (11,355)	10	8	115 (792)	147 (1,013)	1760	333 (2,295)
	3,000 (11,355)	10	8	158 (1,089)	197 (1,358)	2000	333 (2,295)
MSC10-200-500	3,000 (11,355)	10	8	121 (834)	179 (1,234)	1760	340 (2,344)
	3,000 (11,355)	10	8	162 (1,116)	238 (1,640)	2000	340 (2,344)
	3,500 (13,247)	10	8	136 (937)	170 (1,172)	1760	340 (2,344)
	3,500 (13,247)	10	8	154 (1,061)	229 (1,578)	2000	340 (2,344)
MSC10-200-500S	2,000 (7,570)	10	8	118 (813)	186 (1,282)	1800	320 (2,206)
	2,000 (7,570)	10	8	149 (1,027)	234 (1,613)	2000	320 (2,206)
	2,500 (9,462)	10	8	110 (758)	176 (1,213)	1800	320 (2,206)
	2,500 (9,462)	10	8	141 (972)	225 (1,551)	2000	320 (2,206)
MSC10-200-600	3,000 (11,355)	10	8	114 (786)	188 (1,296)	1480	275 (1,896)
	3,000 (11,355)	10	8	166 (1,144)	246 (1,696)	1760	330 (2,275)
	3,500 (13,247)	10	8	107 (737)	184 (1,268)	1480	275 (1,896)
	3,500 (13,247)	10	8	160 (1,103)	241 (1,661)	1760	330 (2,275)
	4,000 (15,140)	10	8	142 (979)	176 (1,213)	1480	275 (1,896)
	4,000 (15,140)	10	8	152 (1,048)	234 (1,613)	1760	330 (2,275)
	4,500 (17,032)	10	8	175 (1,206)	226 (1,558)	1760	330 (2,275)
MSC12-250-490	3,500 (13,247)	12	10	119 (820)	189 (1,303)	1800	290 (1,999)
	4,000 (15,140)	12	10	114 (786)	185 (1,275)	1800	290 (1,999)
	4,500 (17,032)	12	10	153 (1,054)	181 (1,247)	1800	290 (1,999)
MSC12-250-500	3,000 (11,355)	12	10	120 (827)	154 (1,061)	1480	330 (2,275)
	3,500 (13,247)	12	10	117 (806)	152 (1,048)	1480	330 (2,275)


 Deborah Jennings-Conner, VP Regulatory Services
 UL LLC

Any information and documentation involving UL Mark services are provided on behalf of UL LLC (UL) or any authorized licensee of UL. For questions, please contact UL Customer Service at <http://ul.com/aboutul/locations/>



CERTIFICATE OF COMPLIANCE

Certificate Number EX28977
Report Reference EX28977-2023-04-05
Issue Date 2023-APRIL-18

Model	Rated Capacity, GPM (L/Min)	Inlet Size, in.	Outlet Size, in.	Minimum Net Pressure Range, psig (kPa)	Maximum Net Pressure Range, psig (kPa)	Approx Speed, RPM	Max Working Pressure, psig (kPa)
	4,000 (15,140)	12	10	114 (786)	148 (1,020)	1480	330 (2,275)
	4,000 (15,140)	12	10	125 (861)	225 (1,551)	1800	330 (2,275)
	4,500 (17,032)	12	10	109 (751)	145 (999)	1480	330 (2,275)
	4,500 (17,032)	12	10	121 (834)	222 (1,530)	1800	330 (2,275)
	5,000 (18,925)	12	10	134 (923)	218 (1,503)	1800	330 (2,275)
MSC12-250-600	4,500 (17,032)	12	10	143 (985)	207 (1,427)	1450	303 (2,089)
	5,000 (18,925)	12	10	139 (958)	206 (1,420)	1450	303 (2,089)
MSC12-250-600L	4,000 (15,140)	12	10	203 (1,399)	246 (1,696)	1760	350 (2,413)
	4,500 (17,032)	12	10	200 (1,378)	244 (1,682)	1760	350 (2,413)
	5,000 (18,925)	12	10	197 (1,358)	240 (1,654)	1760	350 (2,413)
	5,500 (20,818)	12	10	192 (1,323)	237 (1,634)	1760	350 (2,413)
	6,000 (22,710)	12	10	186 (1,282)	232 (1,599)	1760	350 (2,413)
MSC12-250-640	3,000 (11,355)	12	10	176 (1,213)	249 (1,716)	1480	330 (2,275)
	3,500 (13,247)	12	10	169 (1,165)	242 (1,668)	1480	330 (2,275)
	4,000 (15,140)	12	10	162 (1,116)	233 (1,606)	1480	330 (2,275)
MSC12-250-640G	3,500 (13,247)	12	10	196 (1,351)	290 (1,999)	1480	377 (2,599)
	4,000 (15,140)	12	10	191 (1,316)	288 (1,985)	1480	377 (2,599)
	4,500 (17,032)	12	10	184 (1,268)	284 (1,958)	1480	377 (2,599)
	5,000 (18,925)	12	10	211 (1,454)	277 (1,909)	1480	377 (2,599)
MSC14-250-640	4,000 (15,140)	14	10	138 (951)	217 (1,496)	1480	300 (2,068)
	4,500 (17,032)	14	10	136 (937)	216 (1,489)	1480	300 (2,068)
	5,000 (18,925)	14	10	134 (923)	214 (1,475)	1480	300 (2,068)
	6,000 (22,710)	14	10	127 (875)	209 (1,441)	1480	300 (2,068)
	6,000 (22,710)	14	10	220 (1,516)	280 (1,930)	1760	370 (2,551)
	6,500 (24,603)	14	10	205 (1,413)	205 (1,413)	1480	300 (2,068)
	6,500 (24,603)	14	10	216 (1,489)	276 (1,902)	1760	370 (2,551)
	7,000 (26,495)	14	10	201 (1,385)	201 (1,385)	1480	300 (2,068)
	7,000 (26,495)	14	10	211 (1,454)	271 (1,868)	1760	370 (2,551)
	7,500 (28,388)	14	10	195 (1,344)	195 (1,344)	1480	300 (2,068)
	7,500 (28,388)	14	10	205 (1,413)	267 (1,840)	1760	370 (2,551)
	8,000 (30,280)	14	10	239 (1,647)	261 (1,799)	1760	370 (2,551)
MSC16-300-750	5,500 (20,818)	16	12	205 (1,413)	278 (1,916)	1480	370 (2,551)
	6,000 (22,710)	16	12	204 (1,406)	277 (1,909)	1480	370 (2,551)

Deborah Jennings-Conner

Deborah Jennings-Conner, VP Regulatory Services

UL LLC

Any information and documentation involving UL Mark services are provided on behalf of UL LLC (UL) or any authorized licensee of UL. For questions, please contact UL Customer Service at <http://ul.com/aboutul/locations/>



CERTIFICATE OF COMPLIANCE

Certificate Number EX28977
Report Reference EX28977-2023-04-05
Issue Date 2023-APRIL-18

Model	Rated Capacity, GPM (L/Min)	Inlet Size, in.	Outlet Size, in.	Minimum Net Pressure Range, psig (kPa)	Maximum Net Pressure Range, psig (kPa)	Approx Speed, RPM	Max Working Pressure, psig (kPa)
	6,500 (24,603)	16	12	203 (1,399)	276 (1,902)	1480	370 (2,551)
	7,000 (26,495)	16	12	200 (1,378)	274 (1,889)	1480	370 (2,551)
	7,500 (28,388)	16	12	197 (1,358)	272 (1,875)	1480	370 (2,551)
	8,000 (30,280)	16	12	223 (1,537)	269 (1,854)	1480	370 (2,551)
MSC16-350-640	4,500 (17,032)	16	14	129 (889)	196 (1,351)	1480	315 (2,171)
	5,000 (18,925)	16	14	127 (875)	194 (1,337)	1480	315 (2,171)
	5,500 (20,818)	16	14	124 (854)	192 (1,323)	1480	315 (2,171)
	6,000 (22,710)	16	14	120 (827)	190 (1,310)	1480	315 (2,171)
	6,500 (24,603)	16	14	116 (799)	186 (1,282)	1480	315 (2,171)
	7,000 (26,495)	16	14	113 (779)	182 (1,254)	1480	315 (2,171)
	7,500 (28,388)	16	14	109 (751)	179 (1,234)	1480	315 (2,171)
	8,000 (30,280)	16	14	117 (806)	192 (1,323)	1540	315 (2,171)
MSC4-80-200	300 (1,136)	4	3	103 (710)	133 (917)	3550	220 (1,516)
	400 (1,514)	4	3	99 (682)	131 (903)	3550	220 (1,516)
	450 (1,703)	4	3	95 (655)	129 (889)	3550	220 (1,516)
	500 (1,892)	4	3	91 (627)	127 (875)	3550	220 (1,516)
MSC4-80-250	300 (1,136)	4	3	87 (599)	152 (1,048)	2980	305 (2,102)
	300 (1,136)	4	3	122 (841)	217 (1,496)	3550	305 (2,102)
	400 (1,514)	4	3	84 (579)	150 (1,034)	2980	305 (2,102)
	400 (1,514)	4	3	123 (848)	215 (1,482)	3550	305 (2,102)
	450 (1,703)	4	3	82 (565)	147 (1,013)	2980	305 (2,102)
	450 (1,703)	4	3	121 (834)	213 (1,468)	3550	305 (2,102)
	500 (1,892)	4	3	79 (544)	144 (992)	2980	305 (2,102)
	500 (1,892)	4	3	118 (813)	210 (1,447)	3550	305 (2,102)
MSC5-100-300	300 (1,136)	5	4	176 (1,213)	279 (1,923)	3550	400 (2,757)
	300 (1,136)	5	4	98 (675)	124 (854)	2350	206 (1,420)
	300 (1,136)	5	4	120 (827)	153 (1,054)	2600	236 (1,627)
	300 (1,136)	5	4	123 (848)	195 (1,344)	2980	400 (2,757)
	400 (1,514)	5	4	94 (648)	119 (820)	2350	206 (1,420)
	400 (1,514)	5	4	117 (806)	149 (1,027)	2600	236 (1,627)
	400 (1,514)	5	4	120 (827)	189 (1,303)	2980	400 (2,757)
	400 (1,514)	5	4	173 (1,192)	274 (1,889)	3550	400 (2,757)
	450 (1,703)	5	4	93 (641)	117 (806)	2350	206 (1,420)


 Deborah Jennings-Conner, VP Regulatory Services
 UL LLC

Any information and documentation involving UL Mark services are provided on behalf of UL LLC (UL) or any authorized licensee of UL. For questions, please contact UL Customer Service at <http://ul.com/aboutul/locations/>



CERTIFICATE OF COMPLIANCE

Certificate Number EX28977
Report Reference EX28977-2023-04-05
Issue Date 2023-APRIL-18

Model	Rated Capacity, GPM (L/Min)	Inlet Size, in.	Outlet Size, in.	Minimum Net Pressure Range, psig (kPa)	Maximum Net Pressure Range, psig (kPa)	Approx Speed, RPM	Max Working Pressure, psig (kPa)
	450 (1,703)	5	4	116 (799)	146 (1,006)	2600	236 (1,627)
	450 (1,703)	5	4	119 (820)	187 (1,289)	2980	400 (2,757)
	450 (1,703)	5	4	172 (1,185)	272 (1,875)	3550	400 (2,757)
	500 (1,892)	5	4	90 (620)	114 (786)	2350	206 (1,420)
	500 (1,892)	5	4	113 (779)	143 (985)	2600	236 (1,627)
	500 (1,892)	5	4	117 (806)	184 (1,268)	2980	400 (2,757)
	500 (1,892)	5	4	170 (1,172)	269 (1,854)	3550	400 (2,757)
	750 (2,839)	5	4	104 (717)	163 (1,123)	2980	400 (2,757)
	750 (2,839)	5	4	157 (1,082)	247 (1,703)	3550	400 (2,757)
MSC5-80-200	300 (1,136)	5	3	54 (372)	81 (558)	2980	161 (1,110)
	300 (1,136)	5	3	78 (537)	115 (792)	3550	200 (1,378)
	400 (1,514)	5	3	53 (365)	79 (544)	2980	161 (1,110)
	400 (1,514)	5	3	76 (524)	113 (779)	3550	200 (1,378)
	450 (1,703)	5	3	52 (358)	78 (537)	2980	161 (1,110)
	450 (1,703)	5	3	75 (517)	112 (772)	3550	200 (1,378)
	500 (1,892)	5	3	51 (351)	77 (530)	2980	161 (1,110)
	500 (1,892)	5	3	74 (510)	111 (765)	3550	200 (1,378)
	750 (2,839)	5	3	68 (468)	68 (468)	2980	161 (1,110)
	750 (2,839)	5	3	66 (455)	103 (710)	3550	200 (1,378)
MSC5-80-250	300 (1,136)	5	3	55 (379)	87 (599)	2350	163 (1,123)
	300 (1,136)	5	3	68 (468)	107 (737)	2600	183 (1,261)
	300 (1,136)	5	3	83 (572)	136 (937)	2950	280 (1,930)
	300 (1,136)	5	3	120 (827)	196 (1,351)	3550	280 (1,930)
	400 (1,514)	5	3	51 (351)	84 (579)	2350	163 (1,123)
	400 (1,514)	5	3	64 (441)	105 (723)	2600	183 (1,261)
	400 (1,514)	5	3	82 (565)	135 (930)	2950	280 (1,930)
	400 (1,514)	5	3	120 (827)	196 (1,351)	3550	280 (1,930)
	450 (1,703)	5	3	49 (337)	83 (572)	2350	163 (1,123)
	450 (1,703)	5	3	63 (434)	103 (710)	2600	183 (1,261)
	450 (1,703)	5	3	80 (551)	134 (923)	2950	280 (1,930)
	450 (1,703)	5	3	119 (820)	196 (1,351)	3550	280 (1,930)
	500 (1,892)	5	3	47 (324)	80 (551)	2350	163 (1,123)
	500 (1,892)	5	3	60 (413)	101 (696)	2600	183 (1,261)


 Deborah Jennings-Conner, VP Regulatory Services
 UL LLC

Any information and documentation involving UL Mark services are provided on behalf of UL LLC (UL) or any authorized licensee of UL. For questions, please contact UL Customer Service at <http://ul.com/aboutul/locations/>



CERTIFICATE OF COMPLIANCE

Certificate Number EX28977
Report Reference EX28977-2023-04-05
Issue Date 2023-APRIL-18

Model	Rated Capacity, GPM (L/Min)	Inlet Size, in.	Outlet Size, in.	Minimum Net Pressure Range, psig (kPa)	Maximum Net Pressure Range, psig (kPa)	Approx Speed, RPM	Max Working Pressure, psig (kPa)
	500 (1,892)	5	3	79 (544)	133 (917)	2950	280 (1,930)
	500 (1,892)	5	3	118 (813)	195 (1,344)	3550	280 (1,930)
	750 (2,839)	5	3	108 (744)	120 (827)	2950	280 (1,930)
	750 (2,839)	5	3	105 (723)	185 (1,275)	3550	280 (1,930)
MSC5-80-350	500 (1,892)	5	3	184 (1,268)	295 (2,033)	2950	380 (2,620)
	500 (1,892)	5	3	112 (772)	184 (1,268)	2350	266 (1,834)
	500 (1,892)	5	3	140 (965)	227 (1,565)	2600	308 (2,123)
	500 (1,892)	5	3	269 (1,854)	308 (2,123)	3550	388 (2,675)
	750 (2,839)	5	3	131 (903)	172 (1,185)	2350	266 (1,834)
	750 (2,839)	5	3	145 (999)	217 (1,496)	2600	308 (2,123)
	750 (2,839)	5	3	167 (1,151)	286 (1,971)	2950	380 (2,620)
	750 (2,839)	5	3	254 (1,751)	292 (2,013)	3550	388 (2,675)
	1,000 (3,785)	5	3	220 (1,516)	270 (1,861)	2950	380 (2,620)
MSC5-80-350G	500 (1,892)	5	3	172 (1,185)	257 (1,771)	2980	261 (1,799)
	750 (2,839)	5	3	169 (1,165)	251 (1,730)	2980	261 (1,799)
MSC6-100-320	750 (2,839)	6	4	138 (951)	198 (1,365)	2980	202 (1,392)
	1,000 (3,785)	6	4	130 (896)	191 (1,316)	2980	202 (1,392)
MSC6-125-200	1,000 (3,785)	6	5	79 (544)	145 (999)	3550	246 (1,696)
MSC6-125-250	500 (1,892)	6	5	76 (524)	101 (696)	2350	178 (1,227)
	500 (1,892)	6	5	92 (634)	124 (854)	2600	201 (1,385)
	500 (1,892)	6	5	117 (806)	162 (1,116)	2980	310 (2,137)
	500 (1,892)	6	5	137 (944)	230 (1,585)	3550	310 (2,137)
	750 (2,839)	6	5	71 (489)	97 (668)	2350	178 (1,227)
	750 (2,839)	6	5	89 (613)	121 (834)	2600	201 (1,385)
	750 (2,839)	6	5	114 (786)	160 (1,103)	2980	310 (2,137)
	750 (2,839)	6	5	138 (951)	230 (1,585)	3550	310 (2,137)
	1,000 (3,785)	6	5	103 (710)	151 (1,041)	2980	310 (2,137)
	1,000 (3,785)	6	5	130 (896)	225 (1,551)	3550	310 (2,137)
MSC6-125-250S	500 (1,892)	6	5	130 (896)	185 (1,275)	3550	290 (1,999)
MSC6-125-310	500 (1,892)	6	5	111 (765)	128 (882)	2350	205 (1,413)
	500 (1,892)	6	5	136 (937)	158 (1,089)	2600	233 (1,606)
	500 (1,892)	6	5	137 (944)	207 (1,427)	2980	370 (2,551)
	500 (1,892)	6	5	196 (1,351)	294 (2,027)	3550	370 (2,551)


 Deborah Jennings-Conner, VP Regulatory Services
 UL LLC

Any information and documentation involving UL Mark services are provided on behalf of UL LLC (UL) or any authorized licensee of UL. For questions, please contact UL Customer Service at <http://ul.com/aboutul/locations/>



CERTIFICATE OF COMPLIANCE

Certificate Number EX28977
Report Reference EX28977-2023-04-05
Issue Date 2023-APRIL-18

Model	Rated Capacity, GPM (L/Min)	Inlet Size, in.	Outlet Size, in.	Minimum Net Pressure Range, psig (kPa)	Maximum Net Pressure Range, psig (kPa)	Approx Speed, RPM	Max Working Pressure, psig (kPa)
	750 (2,839)	6	5	105 (723)	123 (848)	2350	205 (1,413)
	750 (2,839)	6	5	130 (896)	153 (1,054)	2600	233 (1,606)
	750 (2,839)	6	5	132 (910)	203 (1,399)	2980	370 (2,551)
	750 (2,839)	6	5	191 (1,316)	291 (2,006)	3550	370 (2,551)
	1,000 (3,785)	6	5	121 (834)	192 (1,323)	2980	370 (2,551)
	1,000 (3,785)	6	5	182 (1,254)	283 (1,951)	3550	370 (2,551)
MSC6-125-400	500 (1,892)	6	5	208 (1,434)	283 (1,951)	2980	370 (2,551)
	750 (2,839)	6	5	203 (1,399)	277 (1,909)	2980	370 (2,551)
	1,000 (3,785)	6	5	192 (1,323)	265 (1,827)	2980	370 (2,551)
MSC8-125-300	1,250 (4,731)	8	5	116 (799)	190 (1,310)	2980	187 (1,289)
MSC8-125-380	1,250 (4,731)	8	5	118 (813)	177 (1,220)	2200	261 (1,799)
MSC8-150-250	1,250 (4,731)	8	6	83 (572)	149 (1,027)	2950	330 (2,275)
	1,250 (4,731)	8	6	133 (917)	225 (1,551)	3550	330 (2,275)
	1,500 (5,677)	8	6	122 (841)	216 (1,489)	3550	330 (2,275)
MSC8-150-250G	1,250 (4,731)	8	6	97 (668)	146 (1,006)	2950	290 (1,999)
	1,500 (5,677)	8	6	91 (627)	140 (965)	2950	290 (1,999)
MSC8-150-310	1,000 (3,785)	8	6	58 (399)	147 (1,013)	2350	229 (1,578)
	1,000 (3,785)	8	6	73 (503)	181 (1,247)	2600	263 (1,813)
	1,000 (3,785)	8	6	119 (820)	237 (1,634)	2980	350 (2,413)
	1,000 (3,785)	8	6	175 (1,206)	286 (1,971)	3550	370 (2,551)
	1,250 (4,731)	8	6	76 (524)	141 (972)	2350	229 (1,578)
	1,250 (4,731)	8	6	96 (661)	177 (1,220)	2600	263 (1,813)
	1,250 (4,731)	8	6	112 (772)	230 (1,585)	2980	350 (2,413)
	1,250 (4,731)	8	6	168 (1,158)	281 (1,937)	3550	370 (2,551)
	1,500 (5,677)	8	6	109 (751)	221 (1,523)	2980	350 (2,413)
	1,500 (5,677)	8	6	158 (1,089)	269 (1,854)	3550	370 (2,551)
MSC8-150-330	750 (2,839)	8	6	40 (275)	77 (530)	1760	310 (2,137)
	1,000 (3,785)	8	6	40 (275)	74 (510)	1760	310 (2,137)
	1,250 (4,731)	8	6	76 (524)	135 (930)	2350	229 (1,578)
	1,250 (4,731)	8	6	95 (655)	167 (1,151)	2600	263 (1,813)
	1,500 (5,677)	8	6	71 (489)	131 (903)	2350	229 (1,578)
	1,500 (5,677)	8	6	90 (620)	163 (1,123)	2600	263 (1,813)
	2,000 (7,570)	8	6	107 (737)	190 (1,310)	2950	310 (2,137)


 Deborah Jennings-Conner, VP Regulatory Services
 UL LLC

Any information and documentation involving UL Mark services are provided on behalf of UL LLC (UL) or any authorized licensee of UL. For questions, please contact UL Customer Service at <http://ul.com/aboutul/locations/>



CERTIFICATE OF COMPLIANCE

Certificate Number EX28977
Report Reference EX28977-2023-04-05
Issue Date 2023-APRIL-18

Model	Rated Capacity, GPM (L/Min)	Inlet Size, in.	Outlet Size, in.	Minimum Net Pressure Range, psig (kPa)	Maximum Net Pressure Range, psig (kPa)	Approx Speed, RPM	Max Working Pressure, psig (kPa)
MSC8-150-350	1,250 (4,731)	8	6	74 (510)	101 (696)	1760	220 (1,516)
	1,500 (5,677)	8	6	69 (475)	97 (668)	1760	220 (1,516)
MSC8-150-375	1,250 (4,731)	8	6	70 (482)	131 (903)	1760	270 (1,861)
	1,250 (4,731)	8	6	106 (730)	188 (1,296)	2100	270 (1,861)
	1,500 (5,677)	8	6	88 (606)	128 (882)	1760	270 (1,861)
	1,500 (5,677)	8	6	100 (689)	187 (1,289)	2100	270 (1,861)
MSC8-150-400	1,500 (5,677)	8	6	121 (834)	181 (1,247)	2100	275 (1,896)
	2,000 (7,570)	8	6	111 (765)	174 (1,199)	2100	275 (1,896)
	2,500 (9,462)	8	6	160 (1,103)	160 (1,103)	2100	275 (1,896)
MSC8-150-400G	2,000 (7,570)	8	6	64 (441)	104 (717)	1760	270 (1,861)
	2,500 (9,462)	8	6	96 (661)	96 (661)	1760	270 (1,861)
MSC8-150-420	750 (2,839)	8	6	272 (1,875)	367 (2,530)	2950	460 (3,171)
	1,000 (3,785)	8	6	260 (1,792)	359 (2,475)	2950	460 (3,171)
	1,250 (4,731)	8	6	241 (1,661)	346 (2,385)	2950	460 (3,171)
MSC8-150-420G	1,500 (5,677)	8	6	245 (1,689)	305 (2,102)	2950	435 (2,999)
MSC8-150-460	1,500 (5,677)	8	6	115 (792)	181 (1,247)	1800	275 (1,896)
	2,000 (7,570)	8	6	118 (813)	175 (1,206)	1800	275 (1,896)
MSC8-150-480	1,500 (5,677)	8	6	120 (827)	171 (1,179)	1760	275 (1,896)
	2,000 (7,570)	8	6	109 (751)	165 (1,137)	1760	275 (1,896)
	2,500 (9,462)	8	6	96 (661)	155 (1,068)	1760	275 (1,896)
MSC8-150-480GL	2,000 (7,570)	8	6	122 (841)	188 (1,296)	1760	270 (1,861)
	2,500 (9,462)	8	6	111 (765)	181 (1,247)	1760	270 (1,861)
MSC8-150-600	1,250 (4,731)	8	6	113 (779)	192 (1,323)	1480	290 (1,999)
	1,500 (5,677)	8	6	110 (758)	191 (1,316)	1480	290 (1,999)
	2,000 (7,570)	8	6	101 (696)	185 (1,275)	1480	290 (1,999)
	2,500 (9,462)	8	6	126 (868)	175 (1,206)	1480	290 (1,999)
MSC8-150-640	1,500 (5,677)	8	6	124 (854)	220 (1,516)	1480	300 (2,068)
	2,000 (7,570)	8	6	117 (806)	216 (1,489)	1480	300 (2,068)
	2,500 (9,462)	8	6	107 (737)	206 (1,420)	1480	300 (2,068)
	3,000 (11,355)	8	6	162 (1,116)	194 (1,337)	1480	300 (2,068)

Deborah Jennings-Conner

Deborah Jennings-Conner, VP Regulatory Services

UL LLC

Any information and documentation involving UL Mark services are provided on behalf of UL LLC (UL) or any authorized licensee of UL. For questions, please contact UL Customer Service at <http://ul.com/aboutul/locations/>



CERTIFICATE OF COMPLIANCE

Certificate Number 20180912-EX15277
Report Reference EX15277-20170627
Issue Date 2018-SEPTEMBER-12

Issued to: KIRLOSKAR OIL ENGINES LTD

Plot D/1, Five Star MIDC, Kagal
Hatkangale Industrial Area
Vill : Talandage
Kholapur MH 416202 INDIA

**This is to certify that
representative samples of**

INTERNAL-COMBUSTION ENGINES FOR DRIVING
STATIONARY FIRE PUMPS

Models: KFP4R-UF07, KFP4R-UF15, KFP6R-UF25,
KFP6S-UF35, KFP4R-UF05, KFP4R-UF08, KFP4R-
UF16R1, KFP4R-UF16R2, KFP6R-UF26R1, KFP6R-
UF26R2

Have been investigated by UL in accordance with the
Standard(s) indicated on this Certificate.

Standard(s) for Safety: UL 1247, Diesel Engines for Driving Stationary Fire Pumps.

Additional Information: See the UL Online Certifications Directory at
www.ul.com/database for additional information

Only those products bearing the UL Certification Mark should be considered as being covered by UL's
Certification and Follow-Up Service.

Look for the UL Certification Mark on the product.



Bruce Mahrenholz, Director North American Certification Program

UL LLC

Any information and documentation involving UL Mark services are provided on behalf of UL LLC (UL) or any authorized licensee of UL. For questions, please
contact a local UL Customer Service Representative at <http://ul.com/aboutul/locations/>



QYLU.EX15277 - INTERNAL-COMBUSTION ENGINES FOR DRIVING STATIONARY FIRE PUMPS

Internal-combustion Engines for Driving Stationary Fire Pumps

See General Information for Internal-combustion Engines for Driving Stationary Fire Pumps

KIRLOSKAR OIL ENGINES LTD

Plot D/1, Five Star MIDC, Kagal
Hatkangale Industrial Area
Vill : Talandage
Kolhapur, MH 416202 INDIA

EX15277

DIESEL ENGINES RATED FOR USE WITHIN SPEED RANGES

Model	No. of Cylinders	Minimum		Maximum	
		Rated Speed (rpm)	Rated HP	Rated Speed (rpm)	Rated HP
KFP4R-UF05	4	2800	57	3000	55
KFP4R-UF08	4	2800	77	3000	76
KFP4R-UF16R1	4	2800	105	3000	152
KFP4R-UF16R2	4	2800	146	3000	116
KFP6R-UF26R1	6	2800	251	3000	247
KFP6R-UF26R2	6	2800	164	3000	217

DIESEL ENGINES RATED AT SPECIFIC SPEEDS

Model	No. of Cylinders	Rated HP	Rated Speed (rpm)
KFP4R-UF07	4	62	1760
	4	70	2100
	4	74	2200
	4	74	2350
	4	77	2600
KFP4R-UF15	4	108	1760
	4	111	2100
	4	117	2200
	4	143	2350
	4	151	2600

KFP6R-UF25	6	169	1760
	6	191	2100
	6	196	2200
	6	203	2350
	6	225	2600
KFP6S-UF35	6	288	1760
	6	336	2100
	6	332	2200
	6	330	2350

Last Updated on 2018-09-14

The appearance of a company's name or product in this database does not in itself assure that products so identified have been manufactured under UL's Follow-Up Service. Only those products bearing the UL Mark should be considered to be Certified and covered under UL's Follow-Up Service. Always look for the Mark on the product.

UL permits the reproduction of the material contained in the Online Certification Directory subject to the following conditions: 1. The Guide Information, Assemblies, Constructions, Designs, Systems, and/or Certifications (files) must be presented in their entirety and in a non-misleading manner, without any manipulation of the data (or drawings). 2. The statement "Reprinted from the Online Certifications Directory with permission from UL" must appear adjacent to the extracted material. In addition, the reprinted material must include a copyright notice in the following format: "© 2019 UL LLC"



Certificate of Compliance

This certificate is issued for the following:

Diesel Engine Fire Pump Drivers
(see listing attached)

Prepared for:

Kirloskar Oil Engines Ltd.
Laxmanrao Kirloskar Road
Khadki Pune, 411 003
India

Manufactured at:

Kirloskar Oil Engines Ltd.
Plot D/1, Five Star MIDC, Kagal Hatkangale Industrial Area
Khadki Village of Talandge, Kolhapur
Maharashtra, 416202 India

FM Approvals Class: 1333 (February 2018)

Approval Identification: 3058182

Approval Granted: October 5, 2018

To verify the availability of the Approved product, please refer to www.approvalguide.com

Said Approval is subject to satisfactory field performance, continuing Surveillance Audits, and strict conformity to the constructions as shown in the Approval Guide, an online resource of FM Approvals.

A handwritten signature in dark ink, appearing to read 'D.B. Fuller', is written over a horizontal line.

David Fuller
VP - Manager of Fire Protection
FM Approvals
1151 Boston-Providence Turnpike
Norwood, MA 02062 USA



Member of the FM Global Group



Certificate of Compliance

Model	Rated Power, hp	Rated Power, kW	Rated Speed, r/min
KFP4R-UF05	57	42	2800
KFP4R-UF05	56	41.7	2900
KFP4R-UF05	55	41	3000
KFP4R-FM05D1	43	32	2900
KFP4R-UF08	77	57	2800
KFP4R-UF08	77	57	2900
KFP4R-UF08	76	56	3000
KFP4R-UF16R1	105	78	2800
KFP4R-UF16R1	128	95	2900
KFP4R-UF16R1	152	113	3000
KFP4R-UF16R2	146	108	2800
KFP4R-UF16R2	131	97	2900
KFP4R-UF16R2	116	86	3000
KFP6R-UF26R1	251	187	2800
KFP6R-UF26R1	249	185	2900
KFP6R-UF26R1	247	184	3000
KFP6R-UF26R2	164	122	2800
KFP6R-UF26R2	191	142	2900
KFP6R-UF26R2	217	161	3000
KFP4R-UF07	77	57	2600
KFP4R-UF07	74	55	2350
KFP4R-UF07	74	55	2200
KFP4R-UF07	70	52	2100
KFP4R-UF07	62	46	1760
KFP4R-UF15	151	112	2600
KFP4R-UF15	143	106	2350
KFP4R-UF15	117	87	2200
KFP4R-UF15	111	83	2100
KFP4R-UF15	108	80	1760
KFP6R-UF25	225	168	2600
KFP6R-UF25	203	151	2350
KFP6R-UF25	196	146	2200
KFP6R-UF25	191	142	2100
KFP6R-UF25	169	126	1760
KFP6S-UF35	330	246	2350
KFP6S-UF35	332	247	2200
KFP6S-UF35	336	250	2100
KFP6S-UF35	288	215	1760



Member of the FM Global Group

CERTIFICATE OF COMPLIANCE

Certificate Number EX26635
Report Reference EX26635-20200127
Issue Date 2020-FEBRUARY-14

Issued to: SHANGHAI TOP MOTOR CO LTD
303 KANGLIU RD
KANGQIAO TOWN
NANHUI
SHANGHAI
201315 CHINA

This certificate confirms that representative samples of FIRE PUMP MOTORS
See Addendum page

Have been investigated by UL in accordance with the Standard(s) indicated on this Certificate.

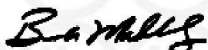
Standard(s) for Safety: UL 1004-1, Rotating Electrical Machines – General Requirements
UL 1004-5, Fire Pump Motors
CSA C22.2 No. 100-14, Motors and Generators

Additional Information: See the UL Online Certifications Directory at <https://iq.ulprospector.com> for additional information.

This *Certificate of Compliance* does not provide authorization to apply the UL Mark. Only the UL Follow-Up Services Procedure provides authorization to apply the UL Mark.

Only those products bearing the UL Mark should be considered as being UL Certified and covered under UL's Follow-Up Services.

Look for the UL Certification Mark on the product.



Bruce Mahrenholz, Director North American Certification Program

UL LLC

Any information and documentation involving UL Mark services are provided on behalf of UL LLC (UL) or any authorized licensee of UL. For questions, please contact a local UL Customer Service Representative at <http://ul.com/aboutul/locations/>



CERTIFICATE OF COMPLIANCE

Certificate Number EX26635
Report Reference EX26635-20200127
Issue Date 2020-FEBRUARY-14

This is to certify that representative samples of the product as specified on this certificate were tested according to the current UL requirements.

Models/Product

Model Number, F-TXC143T1U2B, F-TXC143T1U2B, F-TXC143T1U2B, F-TXC143T1U2B, F-TXC143T1.5U2B, F-TXC143T1.5U2B, F-TXC143T1.5U2B, F-TXC143T1.5U2B, F-TXC145T2U2B, F-TXC145T2U2B, F-TXC145T2U2B, F-TXC145T2U2B, F-TXC182T3U2B, F-TXC182T3U2B, F-TXC182T3U2B, F-TXC182T3U2B, F-TXC184T5U2B, F-TXC184T5U2B, F-TXC184T5U2B, F-TXC184T5U2B, F-TXC213T7.5U2B, F-TXC213T7.5U2B, F-TXC213T7.5U2B, F-TXC213T7.5U2B, F-TXC215T10U2B, F-TXC215T10U2B, F-TXC215T10U2B, F-TXC215T10U2B, F-TXC254T15U2B, F-TXC254T15U2B, F-TXC254T15U2B, F-TXC254T15U2B, F-TXC256T20U2B, F-TXC256T20U2B, F-TXC256T20U2B, F-TXC256T20U2B, F-TXC284TS25U2B, F-TXC284TS25U2B, F-TXC284TS25U2B, F-TXC284TS25U2B, F-TXC286TS30U2B, F-TXC286TS30U2B, F-TXC286TS30U2B, F-TXC286TS30U2B, F-TXC324TS40U2B, F-TXC324TS40U2B, F-TXC324TS40U2B, F-TXC324TS40U2B, F-TXC326TS50U2B, F-TXC326TS50U2B, F-TXC326TS50U2B, F-TXC326TS50U2B, F-TXC364TS60U2B, F-TXC364TS60U2B, F-TXC364TS60U2B, F-TXC364TS60U2B, F-TXC365TS75U2B, F-TXC365TS75U2B, F-TXC365TS75U2B, F-TXC365TS75U2B, F-TXC405TS100U2B, F-TXC405TS100U2B, F-TXC405TS100U2B, F-TXC405TS100U2B, F-TXC444TS125U2B, F-TXC444TS125U2B, F-TXC444TS125U2B, F-TXC444TS125U2B, F-TXC445TS150U2B, F-TXC445TS150U2B, F-TXC445TS150U2B, F-TXC445TS150U2B, F-TXC445TS150U2B, F-TXC447TS200U2B, F-TXC447TS200U2B, F-TXC447TS200U2B, F-TXC447TS200U2B, F-TXC449TS250U2B, F-TXC449TS250U2B, F-TXC449TS250U2B, F-TXC449TS250U2B, F-TXC449TS250U2B, F-TXC449TS300U2B, F-TXC449TS300U2B, F-TXC449TS300U2B, F-TXC449TS300U2B, F-TXC449TS300U2B, F-TXC586/7TS350U2B, F-TXC586/7TS350U2B, F-TXC586/7TS350U2B, F-TXC586/7TS350U2B, F-TXC586/7TS400U2B, F-TXC586/7TS400U2B, F-TXC586/7TS400U2B, F-TXC586/7TS400U2B, F-TXC586/7TS400U2B, F-TXC586/7TS450U2B, F-TXC586/7TS450U2B, F-TXC586/7TS450U2B, F-TXC586/7TS450U2B, F-TXC586/7TS450U2B, F-TXC143T1U4B, F-TXC143T1U4B, F-TXC143T1U4B, F-TXC143T1U4B, F-TXC145T1.5U4B, F-TXC145T1.5U4B, F-TXC145T1.5U4B, F-TXC145T1.5U4B, F-TXC145T2U4B, F-TXC145T2U4B, F-TXC145T2U4B, F-TXC145T2U4B, F-TXC182T3U4B, F-TXC182T3U4B, F-TXC182T3U4B, F-TXC182T3U4B, F-TXC184T5U4B, F-TXC184T5U4B, F-TXC184T5U4B, F-TXC184T5U4B, F-TXC213T7.5U4B, F-TXC213T7.5U4B, F-TXC213T7.5U4B, F-TXC213T7.5U4B, F-TXC215T10U4B, F-TXC215T10U4B, F-TXC215T10U4B, F-TXC215T10U4B, F-TXC254T15U4B, F-TXC254T15U4B, F-TXC254T15U4B, F-TXC254T15U4B, F-TXC256T20U4B, F-TXC256T20U4B, F-TXC256T20U4B, F-TXC256T20U4B, F-TXC284T25U4B, F-TXC284T25U4B, F-TXC284T25U4B, F-TXC284T25U4B, F-TXC286T30U4B, F-TXC286T30U4B, F-TXC286T30U4B, F-TXC286T30U4B, F-TXC324T40U4B, F-TXC324T40U4B, F-TXC324T40U4B, F-TXC324T40U4B, F-TXC326T50U4B, F-TXC326T50U4B, F-TXC326T50U4B, F-TXC326T50U4B, F-TXC364T60U4B, F-TXC364T60U4B, F-TXC364T60U4B, F-TXC364T60U4B, F-TXC365T75U4B, F-TXC365T75U4B, F-TXC365T75U4B, F-TXC365T75U4B, F-TXC405T100U4B, F-TXC405T100U4B, F-TXC405T100U4B, F-TXC405T100U4B, F-TXC444T125U4B, F-TXC444T125U4B, F-TXC444T125U4B, F-TXC444T125U4B, F-TXC445T150U4B, F-TXC445T150U4B, F-TXC445T150U4B, F-TXC445T150U4B, F-TXC447T200U4B, F-TXC447T200U4B, F-TXC447T200U4B, F-TXC447T200U4B, F-TXC449T250U4B, F-TXC449T250U4B, F-TXC449T250U4B, F-TXC449T250U4B, F-TXC449T250U4B,


Bruce Mahrenholz, Director North American Certification Program
UL LLC

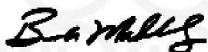
Any information and documentation involving UL Mark services are provided on behalf of UL LLC (UL) or any authorized licensee of UL. For questions, please contact a local UL Customer Service Representative at <http://ul.com/aboutul/locations/>



CERTIFICATE OF COMPLIANCE

Certificate Number EX26635
Report Reference EX26635-20200127
Issue Date 2020-FEBRUARY-14

TXC449T250U4B,F-TXC449TS300U4B,F-TXC449TS300U4B,F-TXC449TS300U4B,F-TXC449TS300U4B,F-TXC586/7T350U4B,F-TXC586/7T350U4B,F-TXC586/7T350U4B,F-TXC586/7T350U4B,F-TXC586/7T400U4B,F-TXC586/7T400U4B,F-TXC586/7T400U4B,F-TXC586/7T400U4B,F-TXC586/7T450U4B,F-TXC586/7T450U4B,F-TXC586/7T450U4B,F-TXC586/7T450U4B,F-TXC145T1U6B,F-TXC145T1U6B,F-TXC145T1U6B,F-TXC145T1U6B,F-TXC182T1.5U6B,F-TXC182T1.5U6B,F-TXC182T1.5U6B,F-TXC182T1.5U6B,F-TXC184T2U6B,F-TXC184T2U6B,F-TXC184T2U6B,F-TXC184T2U6B,F-TXC213T3U6B,F-TXC213T3U6B,F-TXC213T3U6B,F-TXC213T3U6B,F-TXC215T5U6B,F-TXC215T5U6B,F-TXC215T5U6B,F-TXC215T5U6B,F-TXC254T7.5U6B,F-TXC254T7.5U6B,F-TXC254T7.5U6B,F-TXC254T7.5U6B,F-TXC256T10U6B,F-TXC256T10U6B,F-TXC256T10U6B,F-TXC256T10U6B,F-TXC284T15U6B,F-TXC284T15U6B,F-TXC284T15U6B,F-TXC284T15U6B,F-TXC286T20U6B,F-TXC286T20U6B,F-TXC286T20U6B,F-TXC324T25U6B,F-TXC324T25U6B,F-TXC324T25U6B,F-TXC324T25U6B,F-TXC326T30U6B,F-TXC326T30U6B,F-TXC326T30U6B,F-TXC326T30U6B,F-TXC364T40U6B,F-TXC364T40U6B,F-TXC364T40U6B,F-TXC364T40U6B,F-TXC365T50U6B,F-TXC365T50U6B,F-TXC365T50U6B,F-TXC365T50U6B,F-TXC404T60U6B,F-TXC404T60U6B,F-TXC404T60U6B,F-TXC404T60U6B,F-TXC405T75U6B,F-TXC405T75U6B,F-TXC405T75U6B,F-TXC405T75U6B,F-TXC444T100U6B,F-TXC444T100U6B,F-TXC444T100U6B,F-TXC444T100U6B,F-TXC445T125U6B,F-TXC445T125U6B,F-TXC445T125U6B,F-TXC445T125U6B,F-TXC447T150U6B,F-TXC447T150U6B,F-TXC447T150U6B,F-TXC447T150U6B,F-TXC449T200U6B,F-TXC449T200U6B,F-TXC449T200U6B,F-TXC449T200U6B,F-TXC586/7T250U6B,F-TXC586/7T250U6B,F-TXC586/7T250U6B,F-TXC586/7T300U6B,F-TXC586/7T300U6B,F-TXC586/7T300U6B,F-TXC586/7T350U6B,F-TXC586/7T350U6B,F-TXC586/7T350U6B,F-TXC586/7T350U6B,F-TXC586/7T400U6B,F-TXC586/7T400U6B,F-TXC586/7T400U6B,F-TXC586/7T400U6B,



Bruce Mahrenholz, Director North American Certification Program

UL LLC

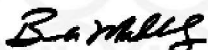
Any information and documentation involving UL Mark services are provided on behalf of UL LLC (UL) or any authorized licensee of UL. For questions, please contact a local UL Customer Service Representative at <http://ul.com/aboutul/locations/>



CERTIFICATE OF COMPLIANCE

Certificate Number EX26635
Report Reference EX26635-20200127
Issue Date 2020-FEBRUARY-14

F-TDC254T15U2B,F-TDC254T15U2B,F-TDC254T15U2B,F-TDC254T15U2B,F-TDC256T20U2B,F-TDC256T20U2B,F-TDC256T20U2B,F-TDC256T20U2B,F-TDC284TS25U2B,F-TDC284TS25U2B,F-TDC284TS25U2B,F-TDC284TS25U2B,F-TDC286TS30U2B,F-TDC286TS30U2B,F-TDC286TS30U2B,F-TDC286TS30U2B,F-TDC286TS40U2B,F-TDC286TS40U2B,F-TDC286TS40U2B,F-TDC286TS40U2B,F-TDC324TS40U2B,F-TDC324TS40U2B,F-TDC324TS40U2B,F-TDC324TS40U2B,F-TDC324TS50U2B,F-TDC324TS50U2B,F-TDC324TS50U2B,F-TDC324TS50U2B,F-TDC326TS50U2B,F-TDC326TS50U2B,F-TDC326TS50U2B,F-TDC326TS50U2B,F-TDC326TS60U2B,F-TDC326TS60U2B,F-TDC326TS60U2B,F-TDC326TS60U2B,F-TDC364TS60U2B,F-TDC364TS60U2B,F-TDC364TS60U2B,F-TDC364TS60U2B,F-TDC364TS75U2B,F-TDC364TS75U2B,F-TDC364TS75U2B,F-TDC364TS75U2B,F-TDC365TS75U2B,F-TDC365TS75U2B,F-TDC365TS75U2B,F-TDC365TS75U2B,F-TDC365TS100U2B,F-TDC365TS100U2B,F-TDC365TS100U2B,F-TDC365TS100U2B,F-TDC405TS100U2B,F-TDC405TS100U2B,F-TDC405TS100U2B,F-TDC405TS100U2B,F-TDC404TS125U2B,F-TDC404TS125U2B,F-TDC404TS125U2B,F-TDC404TS125U2B,F-TDC444TS125U2B,F-TDC444TS125U2B,F-TDC444TS125U2B,F-TDC444TS125U2B,F-TDC405TS150U2B,F-TDC405TS150U2B,F-TDC405TS150U2B,F-TDC405TS150U2B,F-TDC445TS150U2B,F-TDC445TS150U2B,F-TDC445TS150U2B,F-TDC445TS150U2B,F-TDC444TS200U2B,F-TDC444TS200U2B,F-TDC444TS200U2B,F-TDC444TS200U2B,F-TDC447TS200U2B,F-TDC447TS200U2B,F-TDC447TS200U2B,F-TDC447TS200U2B,F-TDC449TS250U2B,F-TDC449TS250U2B,F-TDC449TS250U2B,F-TDC449TS250U2B,F-TDC447TS300U2B,F-TDC447TS300U2B,F-TDC447TS300U2B,F-TDC449TS300U2B,F-TDC449TS300U2B,F-TDC449TS300U2B,F-TDC449TS300U2B,F-TDC447TS350U2B,F-TDC447TS350U2B,F-TDC447TS350U2B,F-TDC449TS350U2B,F-TDC449TS350U2B,F-TDC449TS350U2B,F-TDC449TS350U2B,F-TDC449TS400U2B,F-TDC449TS400U2B,F-TDC449TS400U2B,F-TDC449TS400U2B,F-TDC449TS450U2B,F-TDC449TS450U2B,F-TDC449TS450U2B,F-TDC449TS450U2B,F-TDC449TS500U2B,F-TDC449TS500U2B,F-TDC449TS500U2B,F-TDC254T15U4B,F-TDC254T15U4B,F-TDC254T15U4B,F-TDC254T15U4B,F-TDC256T20U4B,F-TDC256T20U4B,F-TDC256T20U4B,F-TDC256T20U4B,F-TDC284T25U4B,F-TDC284T25U4B,F-TDC284T25U4B,F-TDC284T25U4B,F-TDC286T30U4B,F-TDC286T30U4B,F-TDC286T30U4B,F-TDC286T30U4B,F-TDC324T40U4B,F-TDC324T40U4B,F-TDC324T40U4B,F-TDC324T40U4B,F-TDC326T50U4B,F-TDC326T50U4B,F-TDC326T50U4B,F-TDC326T50U4B,F-TDC364T60U4B,F-TDC364T60U4B,F-TDC364T60U4B,F-TDC364T60U4B,F-TDC365T75U4B,F-TDC365T75U4B,F-TDC365T75U4B,F-TDC365T75U4B,F-TDC405T100U4B,F-TDC405T100U4B,F-TDC405T100U4B,F-TDC405T100U4B,F-TDC405T125U4B,F-TDC405T125U4B,F-TDC405T125U4B,F-TDC405T125U4B,F-TDC444T125U4B,F-TDC444T125U4B,F-TDC444T125U4B,F-TDC444T125U4B,F-TDC444T150U4B,F-TDC444T150U4B,F-TDC444T150U4B,F-TDC444T150U4B,F-TDC445T150U4B,F-TDC445T150U4B,F-TDC445T150U4B,F-TDC445T150U4B,F-TDC445T200U4B,F-TDC445T200U4B,F-TDC445T200U4B,F-TDC445T200U4B,F-TDC447T200U4B,F-TDC447T200U4B,F-TDC447T200U4B,F-TDC447T200U4B,F-TDC447T250U4B,F-TDC447T250U4B,F-TDC447T250U4B,F-TDC447T250U4B,F-TDC449T250U4B,F-TDC449T250U4B,F-TDC449T250U4B,F-TDC449T250U4B,F-TDC449T300U4B,F-TDC449T300U4B,F-TDC449T300U4B,F-TDC449T300U4B,F-TDC449T350U4B,F-TDC449T350U4B,F-TDC449T350U4B,F-TDC449T350U4B,F-



Bruce Mahrenholz, Director North American Certification Program

UL LLC

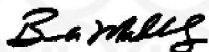
Any information and documentation involving UL Mark services are provided on behalf of UL LLC (UL) or any authorized licensee of UL. For questions, please contact a local UL Customer Service Representative at <http://ul.com/aboutul/locations/>



CERTIFICATE OF COMPLIANCE

Certificate Number EX26635
Report Reference EX26635-20200127
Issue Date 2020-FEBRUARY-14

TDC449T350U4B,F-TDC449T350U4B,F-TDC449T400U4B,F-TDC449T400U4B,F-
TDC449T400U4B,F-TDC449T400U4B,F-TDC449T450U4B,F-TDC449T450U4B,F-TDC449T450U4B,



Bruce Mahrenholz, Director North American Certification Program

UL LLC

Any information and documentation involving UL Mark services are provided on behalf of UL LLC (UL) or any authorized licensee of UL. For questions, please contact a local UL Customer Service Representative at <http://ul.com/aboutul/locations/>





QYZS.EX3971 Pump Controllers, Fire

[Page Bottom](#)

Pump Controllers, Fire

[See General Information for Pump Controllers, Fire](#)

TORNATECH INC

EX3971

#132
7075 PLACE ROBERT-JONCAS
ST LAURENT, QC H4M 2Z2 CANADA

Fire Pump Controllers: Models AF, AFP, AFR, AFY, ATF, ATR, ATP or ATY followed by C or N, followed by additional suffixes. All of the above controllers are suitable for use on circuits capable of delivering high fault currents. The withstand ratings are as follows:

Circuit Breaker	Max V AC	Max Short Circuit Current RMS Symmetrical Amps
MZMH6-63, MZMH6-100,	208; 240	25000; 42,000
MZMH6-160, MZMH6-250		
MZMH6-63, MZMH6-100,	480	65,000
MZMH6-160, MZMH6-250		

The controllers provided with Automatic Transfer Switches are suitable for use on circuits capable of delivering high fault currents. The withstand rating of the normal power source side is determined by the transfer switch as indicated below:

ASCO Transfer Switch	Max Controller Short Circuit Withstand Rating
9403704	22KA, 480 VAC Max
94031004	22KA, 480 VAC Max
94032604	35KA, 480 VAC Max

The withstand ratings for the alternate power source side will be dependent upon the ratings of the external circuit breaker provided. But in no case will they exceed those of the normal power source side.

Models AL or AL1 followed by additional suffixes.

All of the above controllers are suitable for use on circuits capable of delivering high fault currents. The withstand ratings are as follows:

Circuit Breaker	Max V AC	Max Short Circuit Current RMS Symmetrical Amps
NZM6B-63,	480	25,000
NZM6B-100, NZM6B-160		

The controllers provided with automatic Transfer Switches are suitable for use on circuits capable of delivering high fault currents. The withstand rating of the entire controller is determined by the transfer switch as indicated below:

ASCO Transfer Switch	Max Controller S. C. Withstand Rating
9403704	22KA, 480 VAC Max
94031004	22KA, 480 VAC Max
94032604	25KA, 480 VAC Max

The withstand ratings for the alternate power source side will be dependent upon the ratings of the external circuit breaker provided. But in no case will they exceed those of the normal power source side.

Authorities having jurisdiction should be consulted in all cases.

Model FPD Series controller for engine-driven centrifugal fire pumps.

Models FPA, FPP, FPR, FPS, FPV, FPW, FPY, VPA, VPR, and VPS may be followed by additional suffixes. The withstand ratings are as follows:

Withstand Ratings of Controllers Without Transfer Switch:

Short Circuit Withstand Ratings (Ampere Symmetrical)		
VOLTAGE	STANDARD	OPTIONAL HIGH
200 to 480 V	100,000A RMS	150,000A RMS
575 to 600 V	50,000A RMS	100,000A RMS

Models ATG , ATU, VPG or VPU. The controllers provided with Automatic Transfer Switches are suitable for use on circuits capable of delivering high fault currents. The withstand rating of the normal power side is the same as the withstand ratings of controllers without transfer switches. The withstand rating of the alternate power side is determined by the transfer switch as indicated by the following tables:

Withstand ratings of controllers with 120 A Tornatech Inc. Transfer Switch

200-208V 50/60 Hz MAX HP	230-240V 50/60 Hz MAX HP	380-416V 50/60 Hz MAX HP	440-480V 50/60 Hz MAX HP	600V 60Hz MAX HP	Withstand Rating (A)
40	40	—	—	—	65,000
—	—	60	75	—	25,000
—	—	—	—	100	18,000

Withstand Ratings For Controllers with Ascoelectric Transfer Switches

Transfer Switch (A)	200-208V 50/60 Hz Max HP	230-240V 50/60 Hz Max HP	Withstand Rating		Specific** Withstand Rating (A)
			(A)	Time (Cycles)	
100	30	30	10000	1.5	22000
150	50	50	1000	1.5	22000
400	150	150	35000	3	42000
600	N/A	N/A	50000	3	65000

** Tested and found suitable for 100kA

Withstand Ratings for Controllers with Ascoelectric Transfer Switches, Continued

Transfer Switch (A)	600V 60 Hz Max HP	Withstand Rating		Specific Withstand Rating (A)
		(A)	Time (Cycles)	
100	75	10000	1.5	N/A
150	150	1000	1.5	N/A
400	400	22000	3	N/A
600	N/A	N/A	N/A	N/A

Model ATU or VPU:	Normal Power Side:	Same as withstand rating of controller without transfer switch.
	Alternate Power Side:	Same as withstand rating of controller without transfer switch.

Model FPL:	Limited Service controllers with withstand ratings as follows:
-------------------	--

Short Circuit Withstand Ratings of Limited Service Controllers Without Transfer Switches		
VOLTAGE	STANDARD	OPTIONAL HIGH
200 to 480 V	25,000 A RMS	65,000 A RMS
575 to 600 V	18,000 A RMS	25,000 A RMS

Model LTG, GLG:	Automatic transfer switch for connection to a generator set.
Model LTU:	Automatic transfer switch for connection to a 2 nd utility.

Withstand ratings of Controller with transfer switch Model FPAT (Tornatech):

Model LTG:	Normal Power Side:	Same as withstand rating of controller without transfer switch.
	Alternate Power Side:	Withstand rating only applies when the generator set is protected by a molded case circuit breaker

TRANSFER SWITCH AMPERES	200-480 V H.P.	WITHSTAND RATING AMPERES
120	30	25,000

TRANSFER SWITCH AMPERES	600 V H.P.	WITHSTAND RATING AMPERES
120	30	18,000

Model LTU:	Normal Power Side:	Same as withstand rating of controller without transfer switch.
	Alternate Power Side:	Same as withstand rating of controller without transfer switch.

Withstand ratings of controller with transfer switch Model 940 (Ascoelectric):

Model LTG:	Normal Power Side:	Same as withstand rating of controller without transfer switch.
	Alternate Power Side:	Withstand rating only applies when the generator set is protected by a molded case circuit breaker not exceeding the ampere rating of the transfer switch.

Transfer Switch A	200-480 V Max HP	Withstand Rating		Specific Withstand Rating A
		A	Time	
120	30	10,000	1.5	22,000

Transfer Switch A	600 V Max HP	Withstand Rating		Specific Withstand Rating A
		A	Time	
120	30	10,000	1.5	N/A

Model LTU:	Normal Power Side:	Same as withstand rating of controller without transfer switch.
	Alternate Power Side:	Same as withstand rating of controller without transfer switch.

Models CPA, CPP, CPR, CPS, CPV, CPW, CPY, may be followed by additional suffixes. The withstand ratings are as follows:

Withstand ratings of controllers without transfer switch:

Short circuit withstand ratings (ampere symmetrical)		
voltage	standard	optional
200 to 480 V	100 kA	150 kA
575 to 600 V	50 kA	100 kA

Model CPU - The controllers provided with automatic transfer switches are suitable for use on circuits capable of delivering high fault currents. The withstand rating of the normal power side and the alternate power side is the same as the withstand ratings of controllers without transfer switches.

Model CPU

Short circuit withstand rating for alternate power circuit with transfer switch (RMS Symmetrical)		
V	Standard	High (optional)
200 to 480 V	100 kA	150 kA
575 to 600 V	50 kA	100 kA

Model GPD Series controller for engine-driven centrifugal fire pumps.

Overcurrent Protection Panels, Model OPD; may be followed by a number 200 through 575 with - or /; followed by a number 200 through 600 with /; followed by a number 10 through 500 with /; followed by 1 or 3 with /; followed by 50 or 60 or 50/60. - These panels provide separate overcurrent protection and disconnect to comply with NFPA 70 Article 695.4(B)(2)(a) and 695.4(B)(3) and NFPA 20 Article 9.2.3.1, 9.2.3.4, and 9.2.3.4.1.

Short Circuit Withstand Ratings, A Symmetrical			
V	Standard	High (Optional)	High Capacity
200-480	25,000	35,000 to 65,000	150,000

575-600	18,000	20,000 to 25,000	50,000 to 100,00
---------	--------	------------------	------------------

Battery chargers, BCE10, followed by 12 or 24, followed by 120 or 220.

Fire pump controllers, horsepower rated, Models GPA, GPAe, GPP, GPR, GPS, GPV, GPY, GPYe or GPW; may be followed by a number 110 through 575 with - or /; followed by a number 200 through 600 with /; followed by a number 1 through 500 with /; followed by 1 or 3 with /; followed by 50 or 60 or 50/60.

Fire pump controllers, kilowatt rated, Models GPA, GPAe, GPP, GPR, GPS, GPV, GPY, GPYe or GPW; followed by -400/; followed by a number 0.75 through 315 with kW/; followed by 3 with /; followed by 50 or 60 or 50/60.

Transfer switch, horsepower rated, Model GPU; may be followed by a number 110 through 575 with - or /; followed by a number 200 through 600 with /; followed by a number 1 through 500 with /; followed by 1 or 3 with /; followed by 50 or 60 or 50/60.

Transfer switch, kilowatt rated, Model GPU; followed by -400/; followed by a number 0.75 through 315 with kW/; followed by 3 with /; followed by 50 or 60 or 50/60.

Withstand ratings of normal power circuit for GPA, GPAe, GPP, GPR, GPS, GPV, GPY, GPYe and GPW controllers with or without gpu transfer switch.

Short Circuit Withstand Ratings for normal power circuit with or without transfer switch, A Symmetrical		
V	Standard	High (Optional) +
200-480	100,000	150,000
575-600 +	50,000	100,000
+ - Not applicable to controllers that use NOARK Power Components.		

Limited service fire pump controllers, kilowatt rated, Models GPL; followed by -400/; followed by a number 0.75 through 315 with kW/; followed by 3 with /; followed by 50 or 60 or 50/60.

Limited service fire pump controllers, , kilowatt rated, Models GPL; followed by -400/; followed by a number 0.75 through 315 with kW/; followed by 3 with /; followed by 50 or 60 or 50/60.

Limited service transfer switch, for connection to a second utility, horsepower rated, Model GLU; may be followed by a number 110 through 575 with - or /; followed by a number 200 through 600 with /; followed by a number 1 through 500 with /; followed by 1 or 3 with /; followed by 50 or 60 or 50/60.

Limited service transfer switch, for connection to a second utility, kilowatt rated, Model GLU; followed by -400/; followed by a number 0.75 through 315 with kW/; followed by 3 with /; followed by 50 or 60 or 50/60.

Withstand ratings of normal power circuit for GPL controller with or without GLU transfer switch.

Short Circuit Withstand Ratings for normal power circuit with or without transfer switch, A Symmetrical		
V	Standard	High (Optional)
200-240	65,000	-
380-480	25,000	65,000
575-600	18,000	25,000

[Click here to view the Colombia Market Access Certification](#)

[Last Updated](#) on 2017-02-09

[Questions?](#)

[Print this page](#)

[Terms of Use](#)

[Page Top](#)

© 2017 UL LLC

The appearance of a company's name or product in this database does not in itself assure that products so identified have been manufactured under UL's Follow-Up Service. Only those products bearing the UL Mark should be considered to be Certified and covered under UL's Follow-Up Service. Always look for the Mark on the product.

UL permits the reproduction of the material contained in the Online Certification Directory subject to the following conditions: 1. The Guide Information, Assemblies, Constructions, Designs, Systems, and/or Certifications (files) must be presented in their entirety and in a non-misleading manner, without any manipulation of the data (or drawings). 2. The statement "Reprinted from the Online Certifications Directory with permission from UL" must appear adjacent to the extracted material. In addition, the reprinted material must include a copyright notice in the following format: "© 2017 UL LLC".



Certificate of Compliance

This certificate is issued for the following:

**Controllers for Electric Motor Driven and
Diesel Engine Driven Fire Pumps**

**Model GPx Series electric motor driven and
Model GPD diesel engine driven fire pump controllers
manufactured at Tornatech FZE in Dubai, UAE**

Prepared for:

TornaTech Inc.
7075 Pl Robert-Joncas, #132
St Laurent, QC H4M 2Z2
Canada

Manufactured at:

TornaTech FZE
Warehouse CC-4 near R/A 08
P.O. Box 18435, Jebel Ali
Dubai, United Arab Emirates

FM Approvals Class: 1321/1323

Approval Identification: 0003052698

Approval Granted: June 24, 2014

To verify the availability of the Approved product, please refer to www.approvalguide.com

Said Approval is subject to satisfactory field performance, continuing Surveillance Audits, and strict conformity to the constructions as shown in the Approval Guide, an online resource of FM Approvals.

A handwritten signature in dark ink, appearing to read 'Richard B. Dunne', is written over a horizontal line.

Richard B. Dunne
Manager, Fire Protection
FM Approvals
1151 Boston-Providence Turnpike
Norwood, MA 02062



Member of the FM Global Group



Member of the FM Global Group

FM Approvals
1151 Boston-Providence Turnpike, PO Box 9102
Norwood, MA 02062 USA
Tel: +1 (781) 255-4000
Fax: +1 (781) 762-9375
Email: certificates@fmapprovals.com
Website: www.fmapprovals.com

CERTIFICATE OF COMPLIANCE

This certificate of compliance validates the following

TEST REPORT NUMBER: 3052698 TEST CERTIFICATE NUMBER: 3052698
DATE OF ISSUE: 24 June, 2014 DATE OF ISSUE: 24 June, 2014
DATE OF EXPIRY: NONE DATE OF EXPIRY: NONE

NAME OF FACTORY/MANUFACTURER: TORNATECH INC. NAME OF THE BRAND(S): TORNATECH FZE Warehouse CC-4 near R/A 08 P.O. Box 18435, Jebel Ali Dubai, United Arab Emirates
ADDRESS/REGION: 7075 PLACE ROBERT-JONCAS, #132 SAINT LAURENT, QUEBEC H4M 2Z2 CANADA
MODEL/NO: GPx series GPD series
CERTIFICATION MARK: FM APPROVED

LOGO ON THE PRODUCT:



DESCRIPTION OF THE PRODUCT: Samples of the GPx series and GPD series were submitted for examination and testing. All testing and analysis was conducted and verified to be in compliance with the Standards listed in the Test Standards section below

TEST STANDARD: FM Approvals, Approval Standard for Controllers for Electric Motor and Diesel Engine Driven Fire Pumps, Class 1321/1323, dated November 2007

TEST DESCRIPTION: All testing and analysis considered appropriate was conducted and verified to be in compliance with the Standards listed in the Test Standards section. All data is on file at FM Approvals along with other documentation and correspondence applicable to this program.

SPECIFICATION OF TEST SPECIMEN: The samples were considered to be representative of the product line and were examined, tested, and compared to the manufacturer's drawings.

TEST RESULTS: Pass

NAME OF TEST FACILITY: FM Approvals
TEST FACILITY ADDRESS/REGION:
LABORATORY CONTACT: Mr. Richard Dunne
CONTACT PHONE: 1-401-567-5701
CONTACT EMAIL: Richard.Dunne@fmapprovals.com
PRODUCT APPLICATION GUIDELINE (END USE): Installations shall comply with the manufacturer's instructions.

SIGNED BY: [Signature]

The above certificate is valid only when installed in accordance with the "Product Application Guideline (End Use)" as stated above. To verify the validity of the product please log into our website, www.approvalguide.com.



Certificate of Compliance

This certificate is issued for the following:

Fire Pump Flowmeter Systems
(See complete listing details below)

Prepared for:

Quest Engineering dba Gerand Engineering
2300 Edgewood Avenue South
St. Louis Park, MN 55426

FM Approvals Class: 1046

Approval Identification: 3058542

Approval Granted: April 26, 2016

To verify the product continues to be Approved please refer to www.approvalguide.com.

Said Approval is subject to satisfactory field performance, continuing Surveillance Audits, and strict conformity to the constructions as shown in the Approval Guide, an online resource of FM Approvals.

A handwritten signature in black ink that reads "David B. Fuller".

David B. Fuller
AVP, Manager of Fire Protection
FM Approvals
1151 Boston-Providence Turnpike
Norwood, MA 02062 USA



Member of the FM Global Group



Certificate of Compliance

Pump Rating, gal/min (dm ³ /min)	Nominal Meter Line Size in.	Model Designation	
		Venturi (1)	Orifice (2)
25 (95)	1 1/4	GV-25-1 1/4	-
50 (190)	2	GV-50-2	-
100 (380)	2 1/2	GV-100-2 1/2	GO-100-2 1/2
150 (570)	3	GV-150-3	GO-150-3
200 (755)	3, 4	GV-200-3, 4	GO-200-3, 4
250 (945)	4, 5	GV-250-4, 5	GO-250-4, 5
300 (1135)	4	GV-300-4	GO-300-4
400 (1515)	4, 5	GV-400-4, 5	GO-400-4, 5
450 (1705)	4, 5	GV-450-4, 5	GO-450-4, 5
500 (1895)	5, 6	GV-500-5, 6	GO-500-5, 6
750 (2840)	5, 6	GV-750-5, 6	GO-750-5, 6
1000 (3785)	6, 8	GV-1000-6, 8	GO-1000-6, 8
1250 (4730)	6, 8	GV-1250-6, 8	GO-1250-6, 8
1500 (5680)	8, 10	GV-1500-8, 10	GO-1500-8, 10
2000 (7570)	8, 10	GV-2000-8, 10	GO-2000-8, 10
2500 (9465)	8, 10	GV-2500-8, 10	GO-2500-8, 10
3000 (11 355)	8, 10	GV-3000-8, 10	GO-3000-8, 10



Member of the FM Global Group



Certificate of Compliance

Pump Rating, gal/min (dm ³ /min)	Nominal Meter Line Size in.	Model Designation	
		Venturi (1)	Orifice (2)
3500 (13 245)	10, 12	GV-3500-10, 12	GO-3500-10, 12
4000 (15 140)	10, 12	GV-4000-10, 12	GO-4000-10, 12
4500 (17 035)	10, 12	GV-4500-10, 12	GO-4500-10, 12
5000 (18 925)	10, 12	GV-5000-10, 12	GO-5000-10, 12

Each system consists of a Gerand Venturi (GV) or a Gerand Orifice (GO), a differential meter reading in gpm or dm³/min and associated fittings.

GV systems can be equipped with either a 4 1/2 in. dial meter (Gerand Model K) or a 6 in. dial meter (Gerand Model M). GO systems are only available with a 4 1/2 in. dial meter (Gerand Model I). Permanent installations (wall or panel mount) or portable installations are available on all systems. Rated working pressure is 500 psi (3445 kPa) except that:

GV systems with Model M dial meter have a rated working pressure of 175 psi (1205 kPa).

GV systems with Model K dial meter and Class 150 flanges have a rated working pressure of 275 psi (1905 kPa).

The following end-connection styles are available:

Venturi (1)VS. Brass screw ends, 1 1/4 through 2 1/2 in.

Venturi (1)VW-B. Steel butt-welded ends, 2 1/2 through 12 in.

Venturi (1)V-GE. Steel grooved ends, 2 1/2 through 12 in.

Venturi (1)VW-F. Steel flanged ends, 2 1/2 through 12 in. Class 150 flanges rated at 275 psi (1905 kPa). Class 300 flanges rated at 500 psi (3445 kPa).

Orifice (2). Steel socket-welded ends with adaptability for flanging, 2 1/2 through 12 in.



Member of the FM Global Group



Certificate of Compliance

This certificate is issued for the following:

Model ST0712, ST0713, ST0714 OS&Y Gate Valves

Model ST1312, ST1313, ST1314 NRS Gate Valves

Model ST0155, ST0166, ST0177 Indicator Posts

Model ST7011-300, ST7022-300 Indicating Butterfly Valves

Model ST0222 Check Valves

Model ST9011-200 Air Release Valves

Prepared for:

Sensor Tech Fire Fighting and Safety Equipment Trading
Office No 506, Al Saoud Building, Al Qusais-4
Dubai 231728
United Arab Emirates

FM Approvals Class: 1120/1130, 1110, 1112, 1210, 1344

Approval Identification: PR450489

Approval Granted: June 18, 2018

To verify the availability of the Approved product, please refer to www.approvalguide.com

Said Approval is subject to satisfactory field performance, continuing Surveillance Audits, and strict conformity to the constructions as shown in the Approval Guide, an online resource of FM Approvals.

A handwritten signature in black ink, appearing to read 'D. B. Fuller', written over a horizontal line.

David B. Fuller

VP, Manager - Fire Protection

FM Approvals

1151 Boston-Providence Turnpike

Norwood, MA 02062 USA ☐



Member of the FM Global Group

Air Release Valves

An air release valve is designed to vent automatically the air from a horizontal split-case pump which is automatically controlled. Unless otherwise noted in the listing, these valves have 175 psi (1205 kPa) rated working pressure.

Air Release Valves

Product Designation	Size, in. (mm)	Orifice Diameter, In. (mm)	Pressure Rating psi (kPa)
3450AR-116 3475AR-116	3/4 (19)	1/16 (1.6)	175 (1207)
3410AR-116	1 (25)	1/16 (1.6)	175 (1207)
3450AR-332	1/2 (13)	3/32 (2.4)	175 (1207)
3475AR-332	3/4 (19)	3/32 (2.4)	175 (1207)
3410AR-332	1 (25)	3/32 (2.4)	175 (1207)
3450AR-16.3	1/2 (13)	1/16 (1.6)	300 (2069)
3475AR-16.3	3/4 (19)	1/16 (1.6)	300 (2069)
3410AR-116.3	1 (25)	1/16 (1.6)	300 (2069)

Company Name:	Cla-Val Co
Company Address:	Box 1325, Newport Beach, California 92659, USA
Company Website:	http://www.cla-val.com
New/Updated Product Listing:	No
Listing Country:	United States of America
Certification Type:	FM Approved

QWBS.EX27022 - Air-release Valves for Fire Pumps

Air-release Valves for Fire Pumps

See General Information for Air-release Valves for Fire Pumps

GRISWOLD INDUSTRIES, DBA CLA-VAL CO

EX27022

1701 PLACENTIA AVE

COSTA MESA, CA 92627-4416 USA


Air-release valves for use with split-case fire pumps.

Model	Inlet Size NPT In.	Orifice Size In.	Outlet Size NPT In.	Rated Pressure psig
3410-AR332	1/2, 3/4 and 1	3/32	1/2	175
3410-AR116.3	1	1/16	1/2	300
3410-AR332KX	1/2, 3/4 and 1	3/32	1/2	175

Last Updated on 2019-04-29

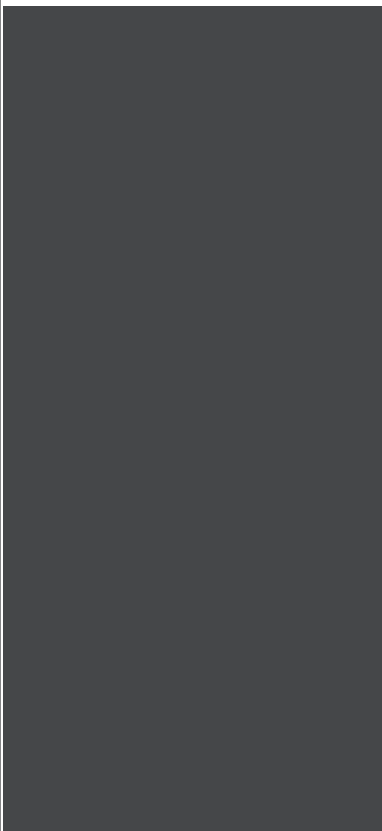
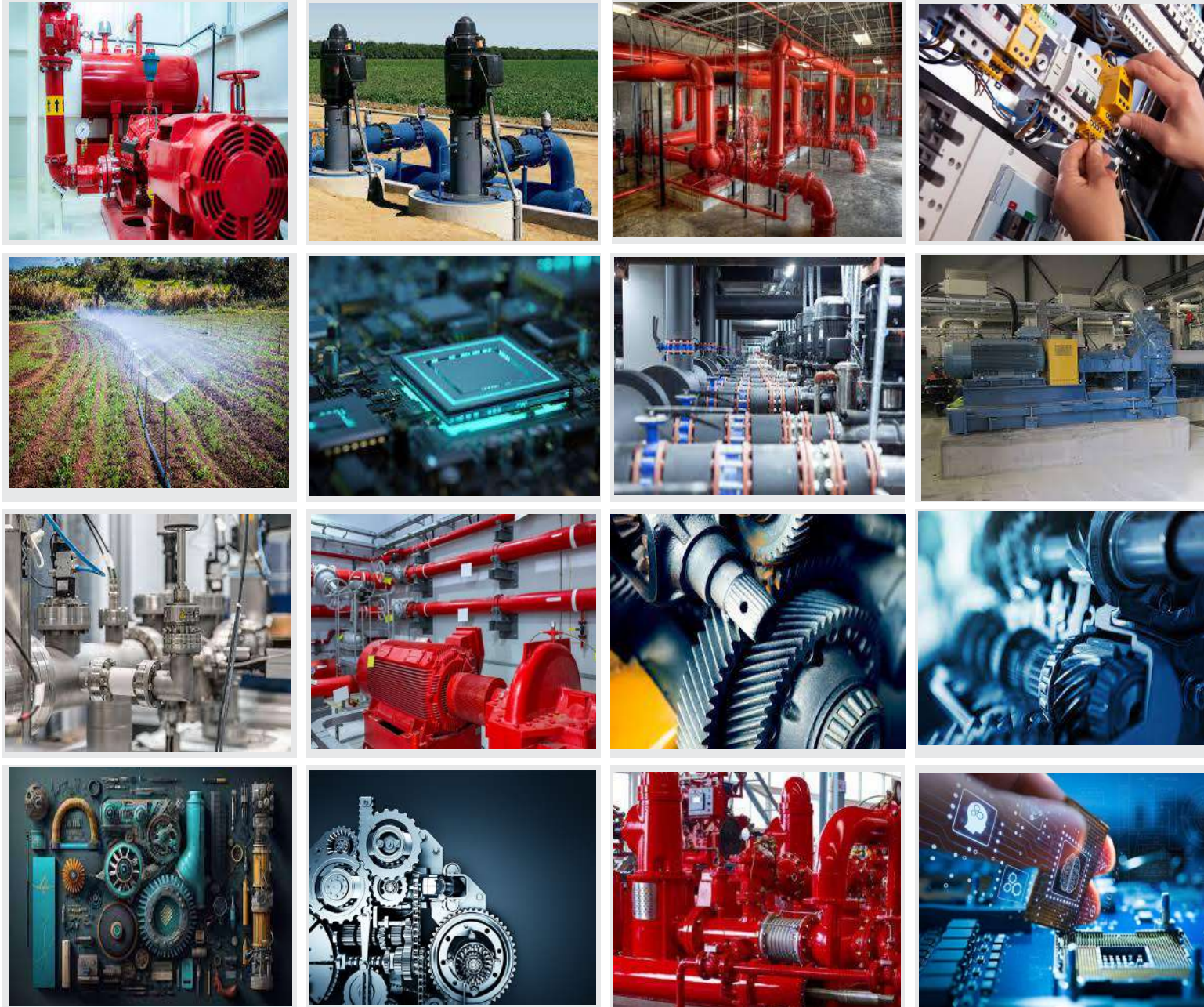
The appearance of a company's name or product in this database does not in itself assure that products so identified have been manufactured under UL's Follow-Up Service. Only those products bearing the UL Mark should be considered to be Certified and covered under UL's Follow-Up Service. Always look for the Mark on the product.

UL permits the reproduction of the material contained in the Online Certification Directory subject to the following conditions: 1. The Guide Information, Assemblies, Constructions, Designs, Systems, and/or Certifications (files) must be presented in their entirety and in a non-misleading manner, without any manipulation of the data (or drawings). 2. The statement "Reprinted from the Online Certifications Directory with permission from UL" must appear adjacent to the extracted material. In addition, the reprinted material must include a copyright notice in the following format: "© 2020 UL LLC"

	Vendor Ref. No.	
	Contractor Ref. No.	
Project Name:	Contractor Job No.	

**COMPANY PROFILE
&
TRADE LICENSE**

0	SUBMITTED FOR APPROVAL				
Rev	Description	Prepared	Checked	Approved	Date



COMPANY PROFILE



CEO MESSAGE

Mena Mech Ind co has undergone a remarkable evolution in the past six years in the UAE. In the last 37 years in the Middle East, we've pursued our vision to become the leading fire pump systems provider in the Middle East and north Africa. But one of the most profound changes that have taken place over time is that we have a deeper and richer understanding, commitment and sustainability that has come into focus as we have refined our views of what it means to be a leader.

Today, as a result, we are increasingly adapting Mena strategies, operations and culture to drive positive results across our experience and provide a superior quality product to serve the commitments.

Our commitment in MENA is much stronger than ever. Indeed, one of the most important aspects of growth, opportunities for our company depends on solving engineering challenges a reality that is making sustainability a competitive imperative in the industry.

We also know our Customer's expectations from a leading company like Mena.

Our Company Profile will provide multiple examples of our commitment for supply, operation and after sales service, across wide range of products, from Fire Pump Solutions to pumps of the water sector, along with engineering Solutions etc.

MENA branches expands in all UAE emirates, Egypt, Palestine, Sudan, GCC Countries, and North Africa to serve our client.

With your continuous support and trust, Mena now poised to further grow its Middle east and north Africa network. In the end, I appreciate your business commitment.

Eng. Mamoun A. Al-Burieni
Chief Executive Officer



VISION

MENA MECH aspires to be among the leading companies of the field in the MENA region, renowned and recognized around the globe for offering comprehensive, professional services & products of the highest quality for its distinctive clients.

MISSION

MENA is committed to providing its clients with service and products of the highest quality; offering a comprehensive platform of services and products. Promoting the personal, and social career growth of all employees, adding to the human knowledge of contributing to culture, social and economic progress of society preserving and promoting the Arab, Islamic culture, heritage and history; and contributing to the advancement of firefighting and security of lives of people living in the middle east and north Africa.

VALUES

- Commitment to our clients.
- Be reliable and add value to our customers.
- Empowerment, Integrity, Excellence and Collaboration.
- Trust our employees to make the right decisions.
- Show transparency in everything we do.
- Operate professionally, safely & effectively.
- Cooperation; work as one team to deliver value.

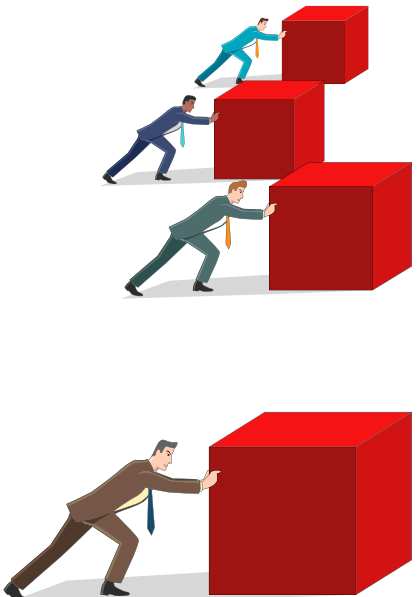


OUR STRATEGY

GUIDING PRIORITIES

A major and comprehensive company: Mena Fire Fighting offers varieties of Pumping Solutions, in the field of firefighting and Water Applications.

- **Client Success:**
The company is committed to enriching its client's success within an economy rich environment.
- **Emphasis on Quality:**
The standard of our company enhances us to practice a diversity of designs that allow and evaluates the client's request. Our effectiveness and practicality of all the services and products offered by the company are to provide the best result for our clients.



- **Supportive:**
Our company emphasizes the importance of our services and products by providing the required training to operate the product and maintenance period to ensure that the client receives the maximum benefit of our services and products supplied.

- **Global Vision:**
Our Company takes pride in being a part of an international Supply chain with partner companies around the globe.

- **Research Intensive:**
Our company is continuously making strident moves to establish itself nationally and internationally through extensively researching the latest technologies in the field.



- **Engagement With The Community:**
Our company plays a vital role in the social and economic development and safety of UAE and middle east by introducing the most advanced technologies with affordable and competitive prices.

GUIDING PRIORITIES

A major and comprehensive company: MENA MECH IND CO offers varieties of Pumping Solutions, in the field of firefighting and Water Applications.

- **Client Success:**

The company is committed to enriching its client's success within an economy rich environment.

- **Emphasis on Quality:**

The standard of our company enhances us to practice a diversity of designs that allow and evaluates the client's request. Our effectiveness and practicality of all the services and products offered by the company are to provide the best result for our clients.



- **Supportive:**

Our company emphasizes the importance of our services and products by providing the required training to operate the product and maintenance period to ensure that the client receives the maximum benefit of our services and products supplied.

- **Global Vision:**

Our Company takes pride in being a part of an international Supply chain with partner companies around the globe.

- **Research Intensive:**

Our company is continuously making strident moves to establish itself nationally and internationally through extensively researching the latest technologies in the field.

- **Engagement With The Community:**

Our company plays a vital role in the social and economic development and safety of UAE and middle east by introducing the most advanced technologies with affordable and competitive prices.



SAFETY POLICY

MENA MECH IND CO is committed to emphasize on the education, interest and awareness of new employees in safety concepts in a safe environment before the assumption of duty.

Ensure that the organization's environment, facilities, equipment and substances are subject to safe systems of work to prevent risks to health or safety.

Just as we are keen for our client's safety, our employees have to be provided by the safest working environment including a spacious atmosphere, excellent ventilation, pest control, etc.

 <p>END SUCTION & SPLIT CASE PUMPS VERTICAL TURBINE FIRE PUMP MENA MECHANICAL INDUSTRIES- UAE</p>	 <p>DIESEL DRIVER KIRLOSKAR, INDIA UL LISTED & FM APPROVED</p>	 <p>DIESEL DRIVER NM FIRE, CHINA UL LISTED & FM APPROVED</p>	 <p>DIESEL DRIVER GREAVES COTTON UL LISTED & FM APPROVED</p>
 <p>DIESEL DRIVER TAIDONG, CHINA UL LISTED LISTED</p>	 <p>DIESEL DRIVER CLARKE, UK /USA UL LISTED & FM APPROVED</p>	 <p>FIRE PUMP MOTOR WEG, BRAZIL UL LISTED APPROVED</p>	 <p>FIRE PUMP MOTOR MARATHON, USA UL LISTED</p>
 <p>FIRE PUMP CONTROLLERS TORNATECH, CANADA UL LISTED & FM APPROVED</p>	 <p>PRESSURE RELIEF VALVE SINGER VALVE, CANADA UL LISTED & FM APPROVED</p>	 <p>FIRE PUMP MOTOR TECHTOP, INC UL LISTED APPROVED</p>	 <p>FLOWMETER GERAND, USA FM APPROVED</p>
<p>VENDORS</p>		   	 <p>AMERILLO GEARS - USA</p>

THE COMPANY

Since 2017, our Headquarters has been located in the Emirate of Dubai. MENA MECH IND CO is charged with an ambitious growth with the mission to protect people of the United Arab Emirates, and middle east Countries by providing world-class fire pump solutions manufacture by MENA MECH IND CO.

Mena is efficiently covering its Services by having a regional office in Egypt, Sudan and various other locations in the Middle East.

Mena Mech IND CO is the sole distributor throughout the Gulf Countries for its products, which are approved from Civil defense in many countries including UAE.

This company profile includes a complete illustration and real pictures of production process, starting from engineering, casting, machining, manufacturing, and ending with assembly.

The experts of MENA MECH IND CO are well managed, dedicated and well-versed with knowledge research and development in all aspects of Pumping Solutions. They are also supported with a qualified team of engineers and technicians with years of experiences to provide the best quality service to clients. and has an outstanding track record of delivering products on time and are punctual in providing services at regular intervals; this has been the bases of establishing a strong relationship with the clients.

MENA MECH IND CO has a well-equipped workshop for maintenance service as per International standards.

MENA MECH IND CO commits to consistently demonstrate the highest ethical standards in our actions through innovative solutions, honoring our agreements and being transparent in our communications.

Our value and service meets our customer expectations because we build and maintain a good relationship with them to ensure long-term satisfaction.

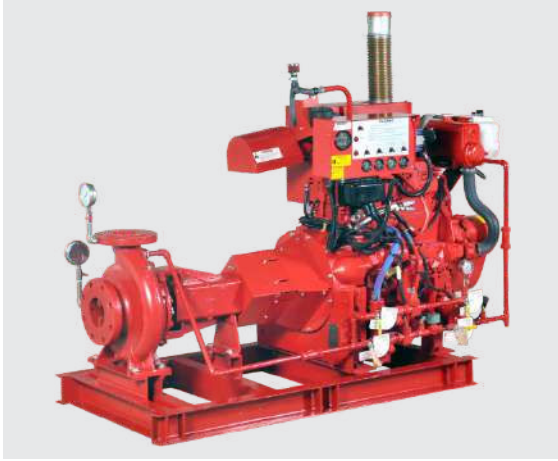
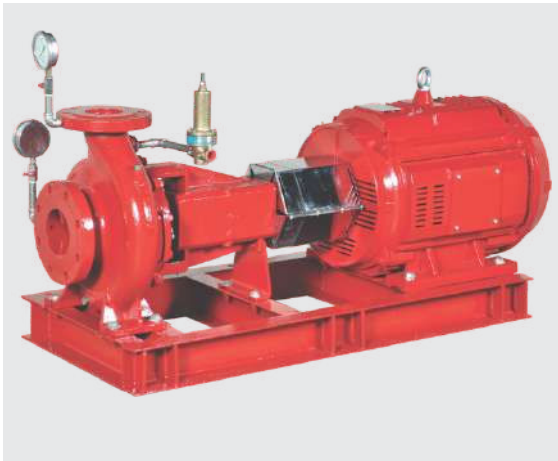


PRODUCTS RANGE

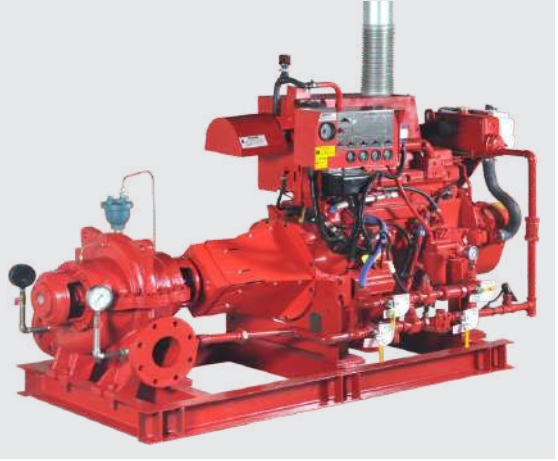
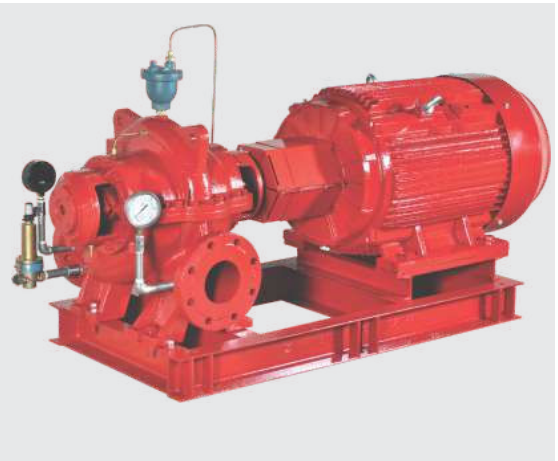
Vertical Turbine Fire Pumps



Horizontal End Suction



Horizontal Split Case



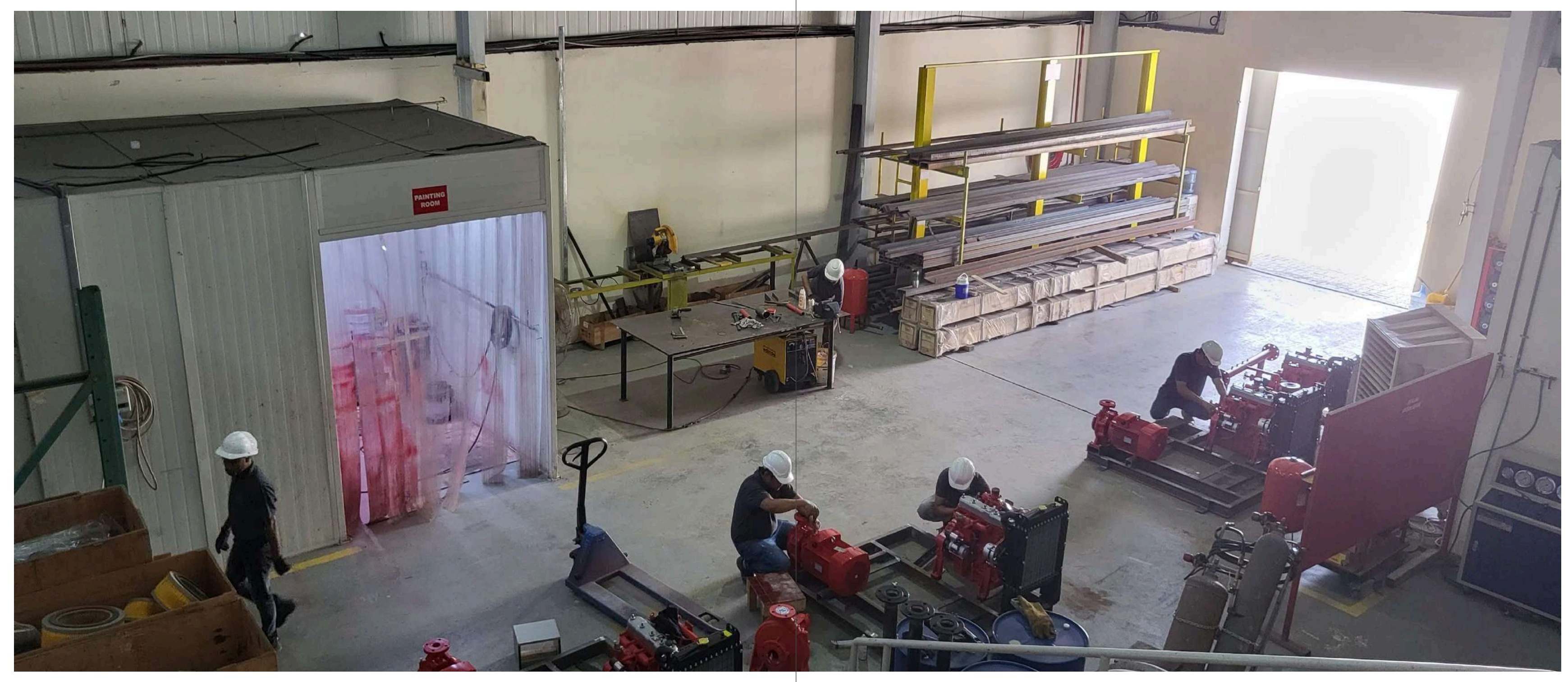
Product Range Overview

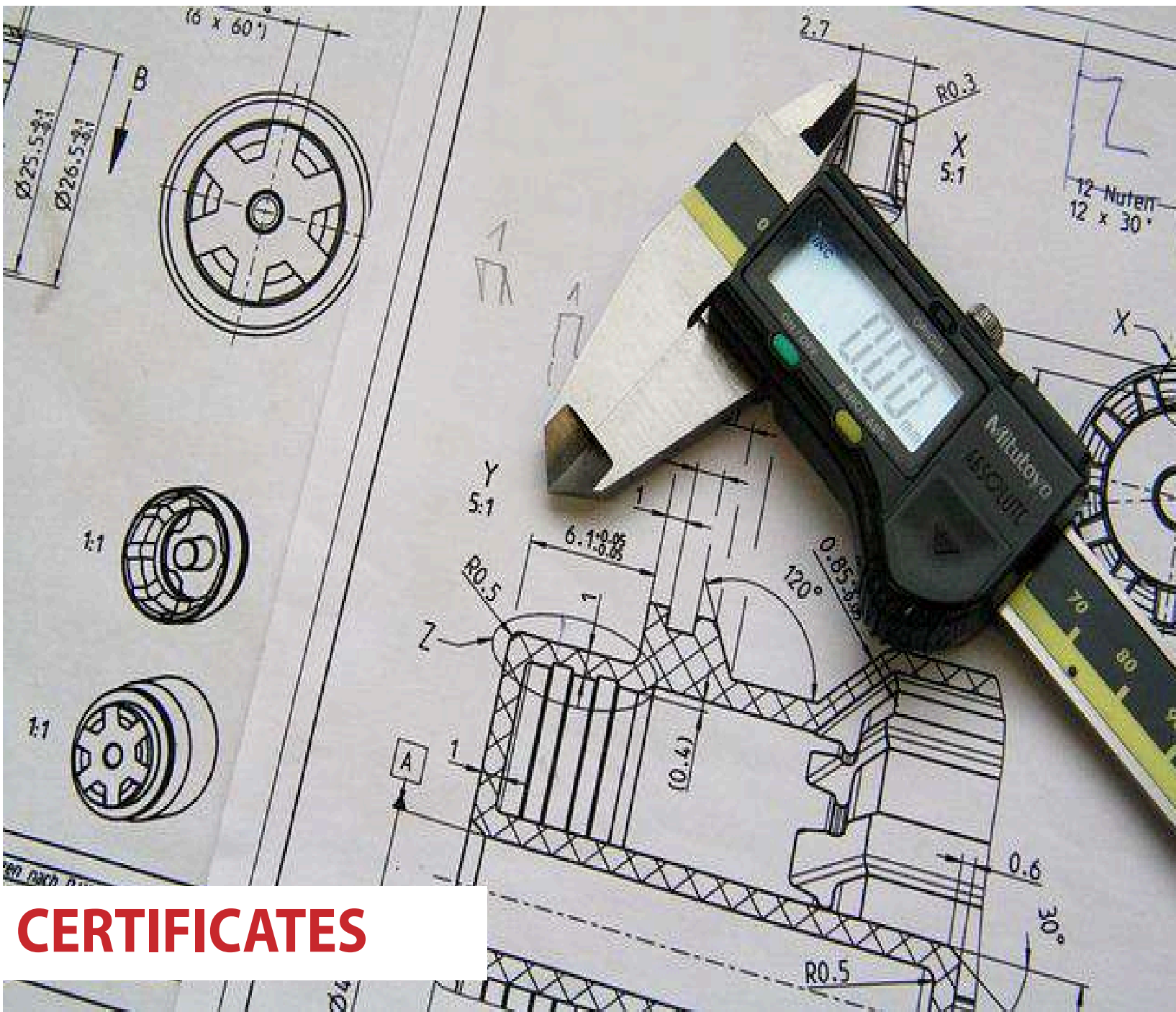
- UL Listed Horizontal End Suction Fire Pumps
- UL Listed Horizontal Split Case Fire Pumps
- UL Listed Vertical Turbine Fire Pumps
- UL/FM Industrial Packaged Fire Pump Set
- Diesel Engine Driven Pump Set
- Electric Motor Driven Pump Set
- Jockey Pump
- Fire Pump Packaged as per NFPA



PRODUCTION CAPABILITIES







CERTIFICATES

CERTIFICATE OF COMPLIANCE

Certificate Number EX28929
Report Reference EX28929
Issue Date 2023-JANUARY-04

Issued to: MENA MECH IND CO.
 Sharjah Al Sajaa Industrial Shed 6
 Victory Warehouse, Sajja New Industrial Area
 Sharjah, United Arab Emirates

This certificate confirms that representative samples of Centrifugal Fire Pumps, End Suction
 See Addendum for Models

Have been evaluated by UL in accordance with the Standard(s) indicated on this Certificate.

Standard(s) for Safety: ANSI/CAN/UL 448 – Centrifugal Stationary Pumps for Fire-Protection Service

Additional Information: See UL Product iQ® at <https://iq.ulprospector.com> for additional information.

This Certificate of Compliance indicates that representative samples of the product described in the certification report have met the requirements for UL certification. It does not provide authorization to apply the UL Mark. Only the Authorization Page that references the Follow-Up Services Procedure for ongoing surveillance provides authorization to apply the UL Mark.

Only those products bearing the UL Mark should be considered as being UL Certified and covered under UL's Follow-Up Services.

Look for the UL Certification Mark on the product.

Deborah Jennings-Cover
 Deborah Jennings-Cover, VP Regulatory Services
 UL LLC

Any information and documentation involving UL Mark services are provided on behalf of UL LLC (UL) or any authorized licensee of UL. For questions, please contact UL Customer Service at <http://ul.com/aboutus/contact>.



CERTIFICATE OF COMPLIANCE

Certificate Number EX28977
Report Reference EX28977-2023-04-05
Issue Date 2023-APRIL-18

Issued to: MENA MECH IND CO.
Sharjah Al Sajaa Industrial Shed 6
Victory Warehouse, Sajja New Industrial Area
Sharjah, United Arab Emirates

This certificate confirms that representative samples of

Centrifugal Fire Pumps, Split Case
See Addendum for Models

Have been evaluated by UL in accordance with the Standard(s) indicated on this Certificate.

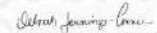
Standard(s) for Safety: ANSI/CAN/UL 448 – Centrifugal Stationary Pumps for Fire-Protection Service

Additional Information: See UL Product iQ® at <https://iq.ulprospector.com> for additional information.

This Certificate of Compliance indicates that representative samples of the product described in the certification report have met the requirements for UL certification. It does not provide authorization to apply the UL Mark. Only the Authorization Page that references the Follow-Up Services Procedure for ongoing surveillance provides authorization to apply the UL Mark.

Only those products bearing the UL Mark should be considered as being UL Certified and covered under UL's Follow-Up Services.

Look for the UL Certification Mark on the product.


Deborah Jennings, Conner, VP Regulatory Services
UL LLC

Any information and documentation involving UL Mark services are provided on behalf of UL LLC (UL) or any authorized licensee of UL. For questions, please contact UL Customer Service at ULCustomerService@ulprospector.com

Page 1 of 8

UL Product iQ®



Centrifugal Fire Pumps, Vertical Turbine

COMPANY

Volute Engineering Pvt Ltd

No. 37, Muthiya Mudali Second Street
Royapettah
Chennai, Tamil Nadu 600014 India

EX28924

Trademark and/or Tradename: "VOLUTE",



Note: For additional marking information, refer to the [Guide Information Page](#).

View model for additional information

Centrifugal Fire Pumps, Vertical Turbine, Model(s): [VT100-155](#), [VT125-180](#), [VT145-270](#), [VT150-265](#), [VT170-304](#), [VT185-335](#), [VT200-350](#), [VT225-400](#), [VT250-400](#), [VT275-430](#), [VT80-145](#)

Last Updated on 2023-01-03

The appearance of a company's name or product in this database does not in itself assure that products so identified have been manufactured under UL Solutions' Follow - Up Service. Only those products bearing the UL Mark should be considered to be Certified and covered under UL Solutions' Follow - Up Service. Always look for the Mark on the product.


UL Solutions permits the reproduction of the material contained in Product iQ subject to the following conditions: 1. The Guide Information, Assemblies, Constructions, Designs, Systems, and/or Certifications (files) must be presented in their entirety and in a non-misleading manner, without any manipulation of the data (or drawings). 2. The statement "Reprinted from Product iQ with permission from UL Solutions" must appear adjacent to the extracted material. In addition, the reprinted material must include a copyright notice in the following format: "©2023 UL LLC."



PROJECTS REFERENCE

Sr No.	Project Details (2022)					Capacity	
	Client	Main Contractor	Consultant	Project Name	Location	Flow (US GPM)	Head (Bar)
1	Sheikh Mohamed Zayed Al Nehyan	Miami Contracting Company	Development Engineering Consultant	G+M+4 Commercial Office Building	Dubai	500	10
2	Ismail Abdullah Al - Gergawi	Talai Contracting	Fourth Dimension Engineering Consultant	Commercial Building	Dubai	500	9
3	Al Bahidh General Trading LLC	Quick Steel Building Contracting LLC	Capital Engineering Consultant	G+M Cold Storage Building	Dubai	750	7
4	Mrs. Hawa Abdullah	Abdullah Bin Dasmal Contracting	Circle Engineering Consultant	G+3+R Residential Building, Muhaisnah	Dubai	750	8
5	Mr. Hassan Arab Darwish	Remal Al Sahara Building Contracting Company LLC	Sharjah Engineering Consultant	G+1 Commercial Building	Sharjah	300	9
6	Mr. Hassan Arab Darwish	Remal Al Sahara Building Contracting Company LLC	Sharjah Engineering Consultant	G+3 Commercial Building	Sharjah	300	9
7	Mr. Essa Abdulla Buhumaid	Solid Building Contracting LLC	Retaj Engineering Consultancy	G+M Warehouse & G+M Office	Dubai	500	9
8	Mr. Younis Abdelaziz Al Nimr	Ideal Building Contracting	Emirates Engineer Consultant	G+5 Residential Building	Sharjah	500	10
9	H.H Saud bin Rashid Al Mualla	Zamalek Contracting	ATI Engineer Consultant	Commercial Building / School	Umm Al Quain	1500	9
10	Mr. Mohammed Abdulazez Ahmad	Hilal Al Emarate Contracting	High Arc Engineering Consultants	G+5 Residential Building	Sharjah	500	10
11	Shaikha Moudi Hamad Al Shami	Remal Al Sahara Contracting	Al Bait Engineering Consultants	G+2 building	Sharjah	500	9
12	Al Fahim Group	Hamed El Sayah Contracting	MAZ Engineering Consultant	Industrial Garage	Dubai	300	9
13	Ms. Metha Ahmed Ali Al Weis	Al Muntaser Building Contracting	Arabic Architecture Engineering Consultant	Commercial Building G+4 TYP	Dubai	750	10



	Vendor Ref. No.	
	Contractor Ref. No.	
Project Name:	Contractor Job No.	

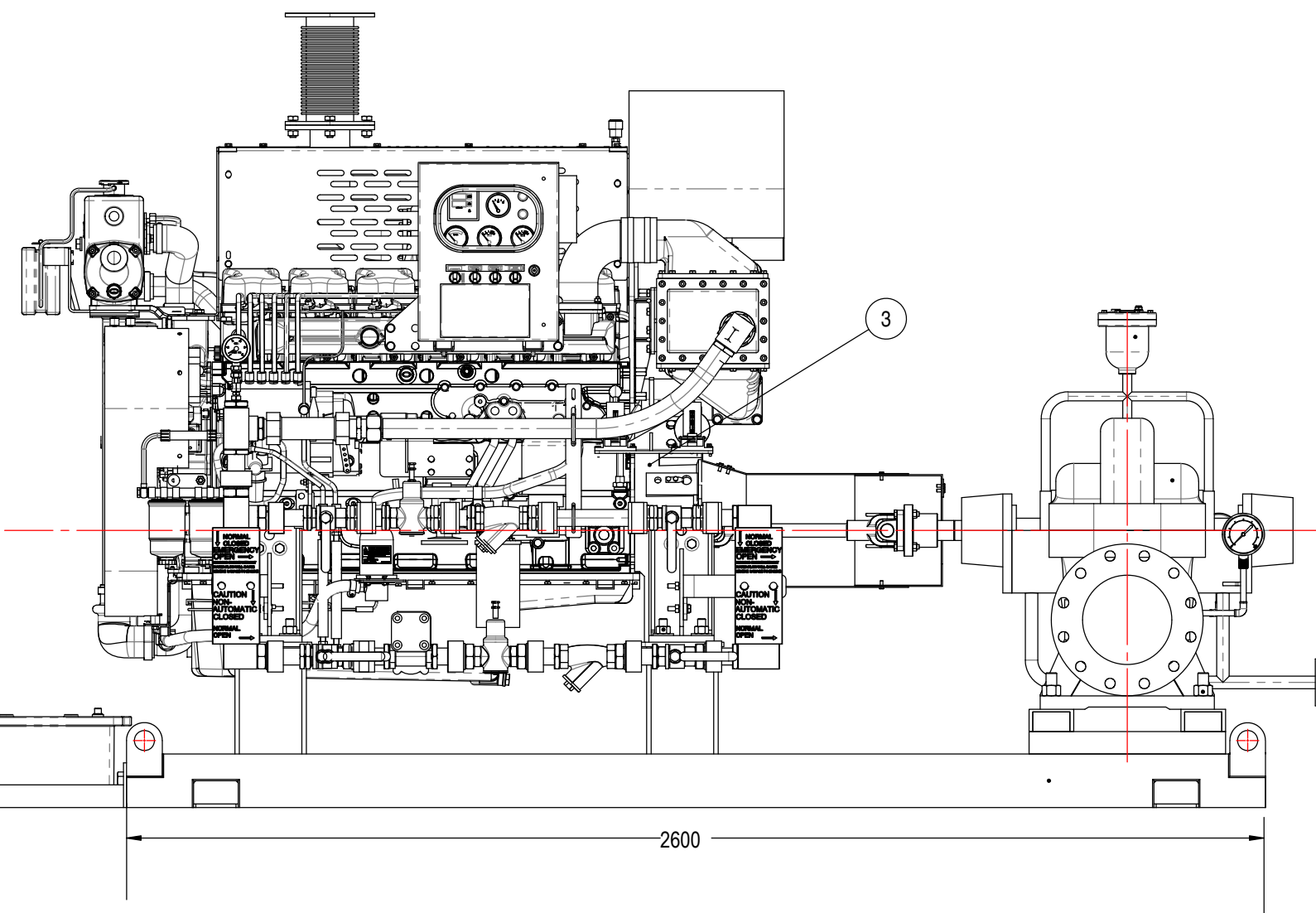
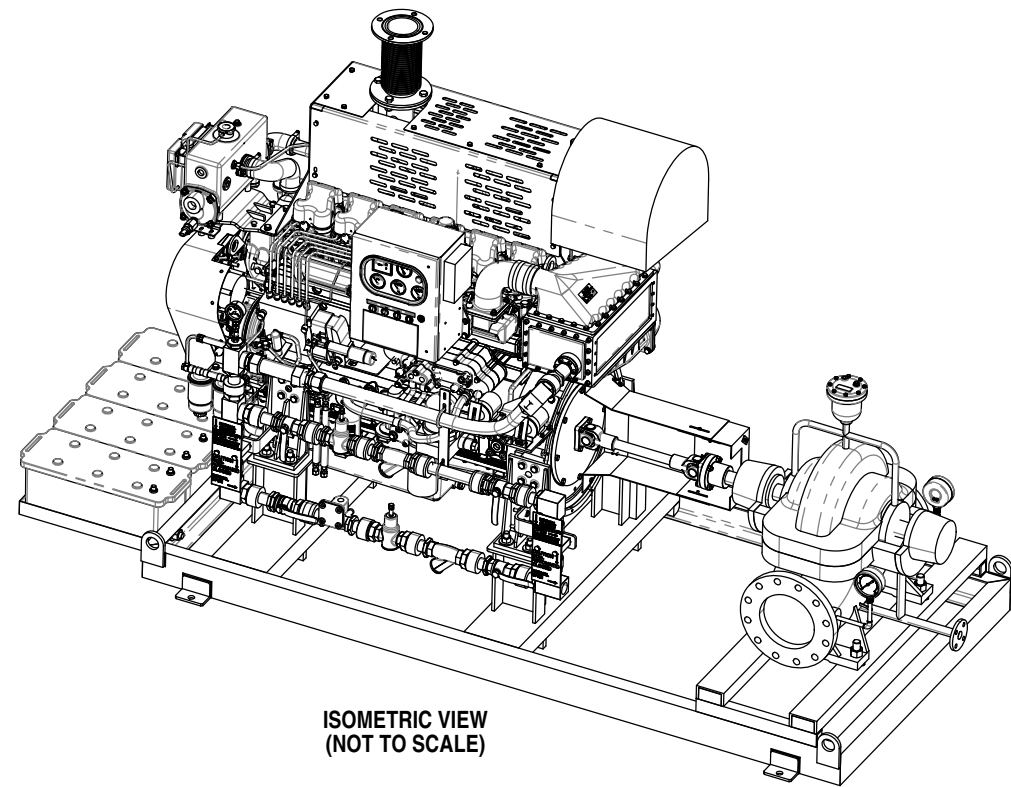
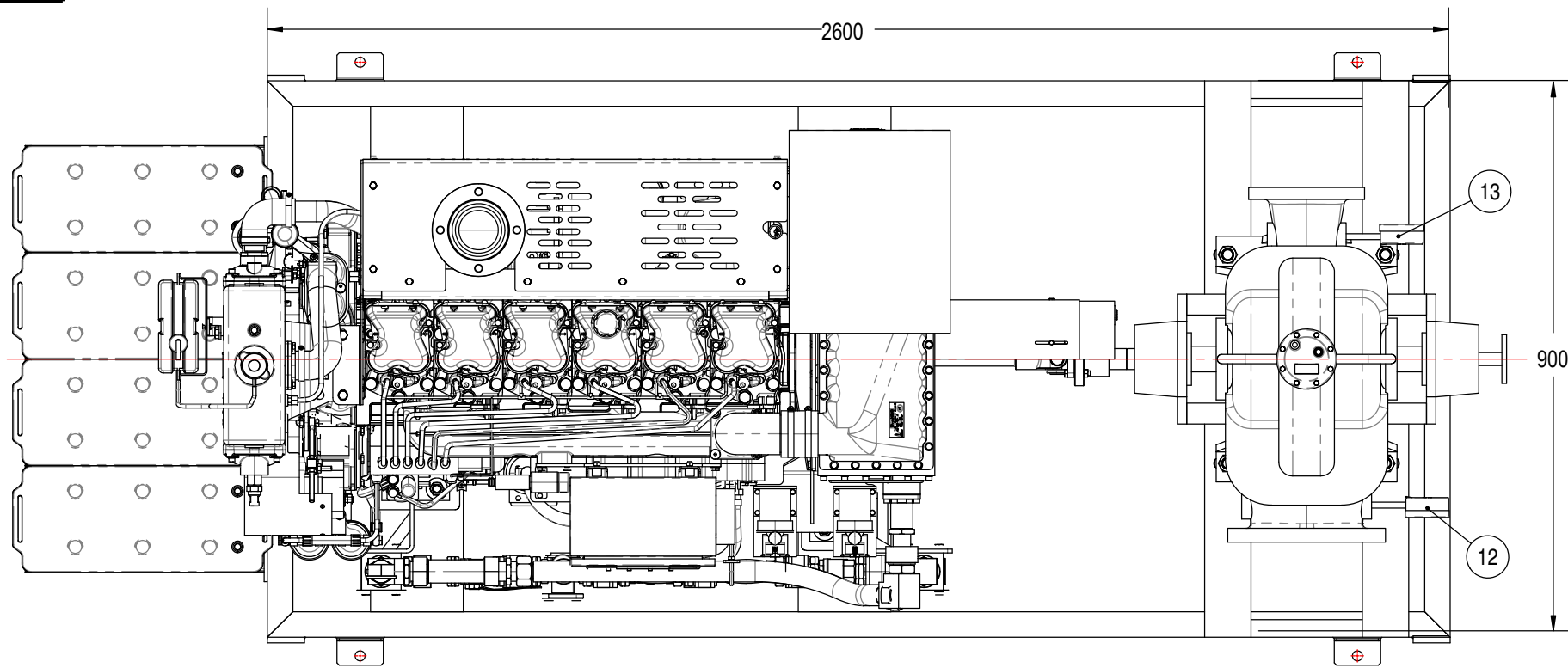
DIESEL ENGINE DRIVEN PUMP SPECIFICATIONS

<i>0</i>	<i>SUBMITTED FOR APPROVAL</i>				
Rev	Description	Prepared	Checked	Approved	Date

DRAWING NO.

IF IN DOUBT, PLEASE ASK

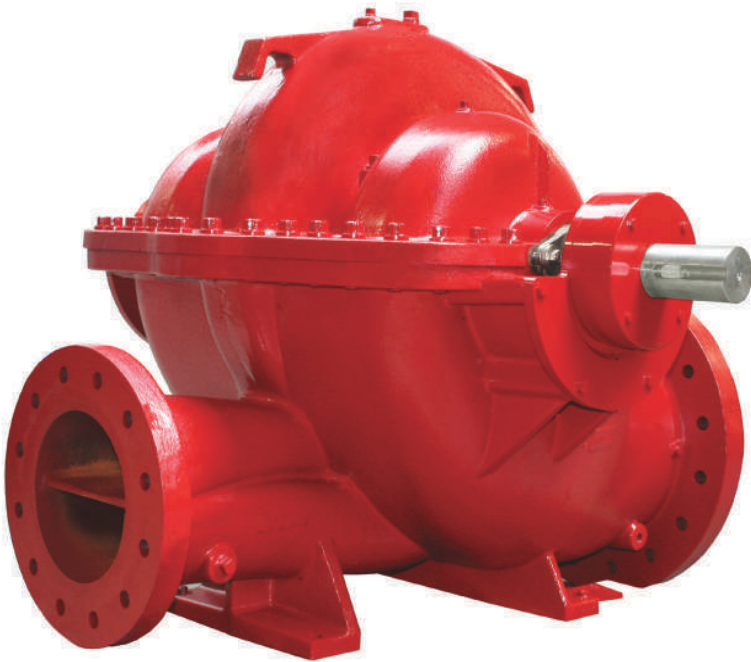
REVISIONS						
ZONE	LTR.	DESCRIPTION	DATE	BY	CHECKED	APPROVED



UNLESS OTHERWISE SPECIFIED 1. REMOVE ALL BURRS AND SHARP EDGES: 25-50 2. FILLETS: 50 R MAX. 3. CUT OR MACHINED SURFACES TO HAVE 1.5mm. 4. DIMENSIONS ARE IN MM. 5. TOLERANCES ARE: DECIMAL ANGLES .1 1.50 1.30 .XX 1.20	MENA MECH IND CO		SHARJAH, UAE. DESCRIPTION: UL SPLIT - CASE PUMP MSC8-150-310 DIESEL ENGINE KIRLOSKAR@3000RPM. W/ BASE PLATE ASSEMBLY (1500 GPM @ 10 BAR)	DRAWING NO.
	APPROVALS	DATE		SHEET: 1 of 1
	DRAWN OA	02/01/24		
	CHECKED OA	02/01/24		
	APPROVED OA	02/01/24		
MATERIAL:	CROSS REFERENCE	SCALE:	THE DESIGN AND OTHER INFORMATION CONTAINED IN THIS DRAWING ARE PROPERTY OF MENA MECH IND CO EXCEPT FOR RIGHTS EXPRESSLY GRANTED BY CONTRACT. THIS DRAWING MAY NOT IN WHOLE OR IN PART BE DUPLICATED OR USED FOR MANUFACTURE WITHOUT WRITTEN PERMISSION OF MENA MECH IND CO.	
SEE PARTS LIST		DIMENSION: MM		
WEIGHT: ---				

SPLIT CASE FIRE PUMP

SPLIT CASE FIRE PUMP



Technical Specifications	
Suction fange	125-400 MM
Discharge fange	75-355MM
Flow	300-8000 GPM
Discharge pressure	82-275PSI

Material Specifications	
Casing	Ductile Iron
Impeller	Bronze or stainless steel
Shaft	40Cr / Stainless Steel
Sealing	Gland packing
Bearing Housing	Rolling bearing
Suction/discharge fanges	ANSI

Pump Naming

MSCx 100-250

Nominal impeller diameter (mm)

Discharge fange DN (mm)

Pump type

Driver Options



Electrical



Diesel

Application Areas



Hydrant



Sprinkler



Overflow



Foam

Risk Class



Ordinary



High

Product Standard

UL 448, NFPA

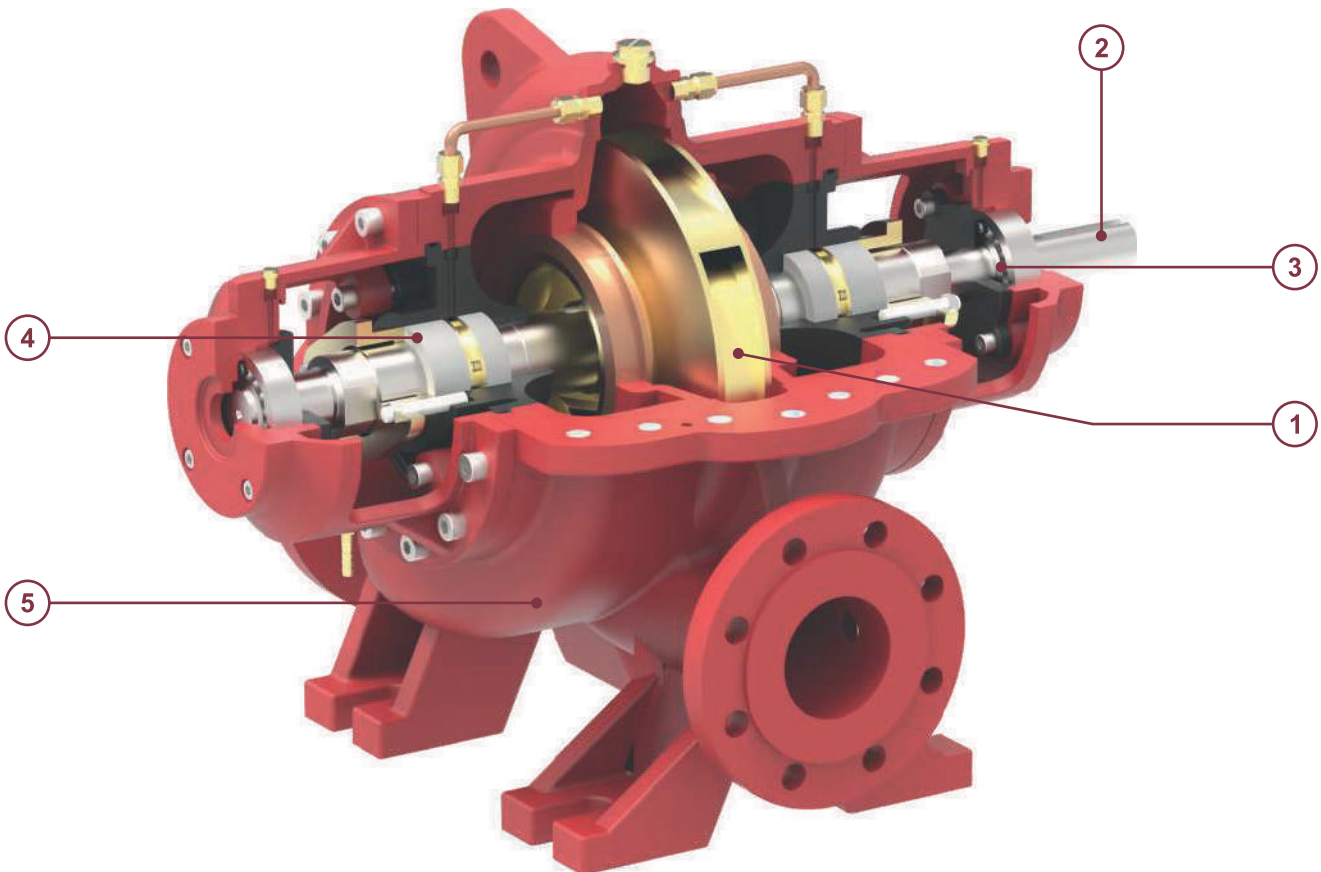
Product Approvals

Flange Standards

Pump Installing Dimensions are confirming to ISO2858 Standard, and Tested according to with UL 448 -2013

SPLIT CASE FIRE PUMP

SPLIT CASE FIRE PUMP



1 - Impeller & Casing

- Minimal axial thrust due to double-entry impeller.
- Impeller is dynamically balanced to G6.3 balance quality Grade in accordance to ISO 1940-1.
- Impeller & Casing are designed using state of the art CFD tools to ensure optimal performance.

2 - Shaft

- Heavy duty shaft completely sealed and free of corrosion.
- Short and rigid with negligible vibrations.
- Replaceable shaft protecting sleeves.
- No threads exposed to pump medium, long operating life and no corrosion.
- Adjustment-free assembly.

3 - Bearing

- Heavy duty and grease lubricated antifriction Bearings for long service life.
- Open gland, enough space for service activities.

4 - Seal

- Asbestos - free, potable water quality soft packed stuffing boxes.

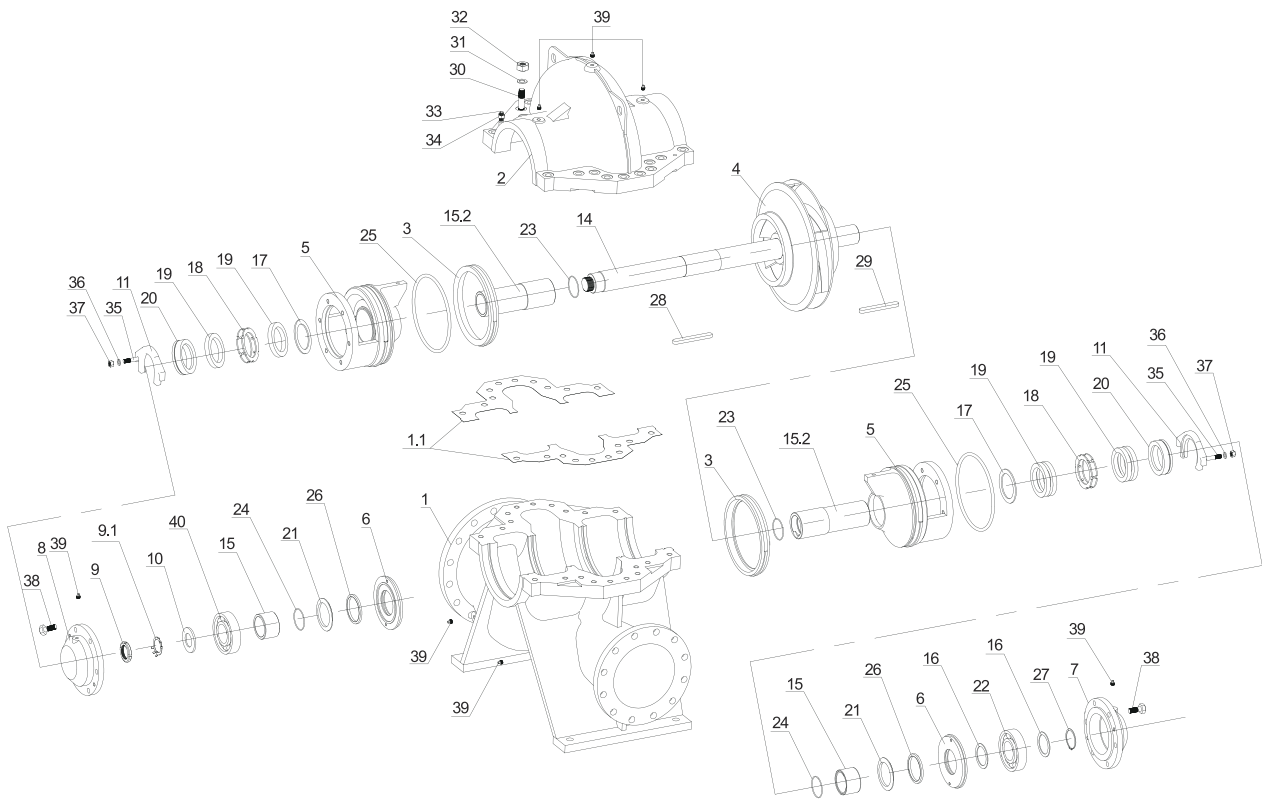
5 - Casing

- In-line axially split design which permits removal of the complete rotor without removing the pipe & motor.
- Short distance between bearings.
- Leak-tight due to compact joint flange with long Pre-stressed bolts.
- Counter-rotation possible with similar parts.
- Easy mounting self-aligning upper casing.
- Flange drilled as per ANSI B16.1 class 250.
- Smooth surface inside CED coated for superior corrosion protection.
- Replaceable wear ring protect the casing and the impeller running clearances.
- Heavy duty casing design for high working pressure.

SPLIT CASE FIRE PUMP

MSCx Series - Exploded View & Part list

SPLIT CASE FIRE PUMP



Code	Part Name	Code	Part Name	Code	Part Name
01	Casing-Bottom	15	Shaft Sleeve-Short	28	Key
01.1	Casing Gasket	15.2	Packing Shaft Sleeve	29	Key
02	Casing-Top	16	Bearing Seal Plate	30	Screw Bolt
03	Wear Ring	17	Packing Seal Plate	31	Spring Washer
04	Impeller	18	Lantern Ring	32	Screw Nut
05	Seal Housing	19	Gland	33	Pin
06	Bearing Cover	20	Packing Cover	34	Screw Nut
07	Bearing Housing-Driver End	21	Slinger	35	Screw Bolt
08	Bearing Housing-Non-Driver End	22	Bearing	36	Flat Gasket
09	Screw Nut	23	O-ring	37	Screw Nut
09.1	Lock Washer for Nut	24	O-ring	38	Screw Bolt
10	Bearing Slinger	25	O-ring	39	Plug
11	Seal Plate	26	Felting	40	Bearing
14	Shaft	27	External Circlips		

SPLIT CASE RANGE

UPCOMMING SPLIT CASE LISTING RANGE

Rated Capacity (gpm)	Size (in.)	Model Dsg	Rated Net		Max Working Pressure (psi)
			Pressure Range (psi)	Approx Speed (rpm)	
300	5x3	MSC5-80-200	54 - 81	2980	161
300	5x3	MSC5-80-200	78 - 115	3550	200
300	5x3	MSC5-80-250	55 - 87	2350	163
300	5x3	MSC5-80-250	68 - 107	2600	183
300	5x3	MSC5-80-250	83-136	2950	280
300	5x3	MSC5-80-250	120-196	3550	280
300	5x4	MSC5-100-300	98 - 124	2350	206
300	5x4	MSC5-100-300	120 - 153	2600	236
300	5x4	MSC5-100-300	123-195	2980	400
300	5x4	MSC5-100-300	176-279	3550	400
400	5x3	MSC5-80-200	53 - 79	2980	161
400	5x3	MSC5-80-200	76 - 113	3550	200
400	5x3	MSC5-80-250	51 - 84	2350	163
400	5x3	MSC5-80-250	64 - 105	2600	183
400	5x3	MSC5-80-250	82-135	2950	280
400	5x3	MSC5-80-250	120-196	3550	280
400	5x4	MSC5-100-300	94 - 119	2350	206
400	5x4	MSC5-100-300	117 - 149	2600	236
400	5x4	MSC5-100-300	120-189	2980	400
400	5x4	MSC5-100-300	173-274	3550	400
450	5x3	MSC5-80-200	52 - 78	2980	161
450	5x3	MSC5-80-200	75 - 112	3550	200
450	5x3	MSC5-80-250	49 - 83	2350	163
450	5x3	MSC5-80-250	63 - 103	2600	183
450	5x3	MSC5-80-250	80-134	2950	280
450	5x3	MSC5-80-250	119-196	3550	280
450	5x4	MSC5-100-300	93 - 117	2350	206
450	5x4	MSC5-100-300	116 - 146	2600	236
450	5x4	MSC5-100-300	119-187	2980	400
450	5x4	MSC5-100-300	172-272	3550	400
500	5x3	MSC5-80-200	51 - 77	2980	161
500	5x3	MSC5-80-200	74 - 111	3550	200
500	5x3	MSC5-80-250	47 - 80	2350	163
500	5x3	MSC5-80-250	60 - 101	2600	183
500	5x3	MSC5-80-250	79-133	2950	280
500	5x3	MSC5-80-350	184-295	2950	380
500	5x3	MSC5-80-350G	172-257	2980	261
500	5x3	MSC5-80-250	118 - 195	3550	280
500	5x4	MSC5-100-300	90 - 114	2350	206
500	5x4	MSC5-100-300	113 - 143	2600	236
500	5x4	MSC5-100-300	117-184	2980	400
500	5x4	MSC5-100-300	170-269	3550	400
500	6x5	MSC6-125-250	76 - 101	2350	178
500	6x5	MSC6-125-250	92 - 124	2600	201

500	6x5	MSC6-125-250	117-162	2980	310
500	6x5	MSC6-125-250	137-230	3550	310
500	6x5	MSC6-125-310	111 - 128	2350	205
500	6x5	MSC6-125-310	136 - 158	2600	233
500	6x5	MSC6-125-310	137-207	2980	370
500	6x5	MSC6-125-310	196-294	3550	370
500	6x5	MSC6-125-400	208-283	2980	370
500	6x5	MSC6-125-250S	130-185	3550	290
750	5x3	MSC5-80-200	68	2980	161
750	5x3	MSC5-80-200	66 - 103	3550	200
750	5x3	MSC5-80-250	108 - 120	2950	280
500	5x3	MSC5-80-350	112 - 184	2350	266
500	5x3	MSC5-80-350	140 - 227	2600	308
500	5x3	MSC5-80-350	269 - 308	3550	388
750	5x3	MSC5-80-350	131 - 172	2350	266
750	5x3	MSC5-80-350	145 - 217	2600	308
750	5x3	MSC5-80-350	167-286	2950	380
750	5x3	MSC5-80-350	254 - 292	3550	388
750	5x3	MSC5-80-350G	169-251	2980	261
750	5x3	MSC5-80-250	105-185	3550	280
750	6x4	MSC6-100 - 320	138-198	2980	202
750	5x4	MSC5-100-300	104-163	2980	400
750	5x4	MSC5-100-300	157-247	3550	400
750	6x5	MSC6-125-250	71 - 97	2350	178
750	6x5	MSC6-125-250	89 - 121	2600	201
750	6x5	MSC6-125-250	114-160	2980	310
750	6x5	MSC6-125-250	138-230	3550	310
750	6x5	MSC6-125-310	105 - 123	2350	205
750	6x5	MSC6-125-310	130 - 153	2600	233
750	6x5	MSC6-125-310	132-203	2980	370
750	6x5	MSC6-125-310	191-291	3550	370
750	6x5	MSC6-125-400	203-277	2980	370
750	8x6	MSC8-150-330	40 - 77	1760	310
750	8x6	MSC8-150-420	272-367	2950	460
1000	5x3	MSC5-80-350	220-270	2950	380
1000	6x4	MSC6-100 - 320	130-191	2980	202
1000	8x6	MSC8-150-310	58 - 147	2350	229
1000	8x6	MSC8-150-310	73 - 181	2600	263
1000	8x6	MSC8-150-310	119-237	2980	350
1000	8x6	MSC8-150-310	175-286	3550	370
1000	6x5	MSC8-125-200	79-145	3550	246
1000	6x5	MSC6-125-250	103-151	2980	310
1000	6x5	MSC6-125-310	121-192	2980	370
1000	6x5	MSC6-125-400	192-265	2980	370
1000	6x5	MSC6-125-250	130-225	3550	310
1000	6x5	MSC6-125-310	182-283	3550	370
1000	8x6	MSC8-150-330	40-74	1760	310
1000	8x6	MSC8-150-420	260-359	2950	460
1250	8x5	MSC8-125-300	116-190	2980	187
1250	8x5	MSC8-125-380	118-177	2200	261
1250	8x6	MSC8-150-310	76 - 141	2350	229
1250	8x6	MSC8-150-310	96 - 177	2600	263
1250	8x6	MSC8-150-310	112-230	2980	350
1250	8x6	MSC8-150-310	168-281	3550	370
1250	8x6	MSC8-150-250	83-149	2950	330


LISTING RANGE

SPLIT CASE RANGE

LISTING RANGE

1250	8x6	MSC8-150-250	133-225	3550	330
1250	8x6	MSC8-150-330	76 - 135	2350	229
1250	8x6	MSC8-150-330	95 - 167	2600	263
1250	8x6	MSC8-150-375	70 - 131	1760	270
1250	8x6	MSC8-150-375	106 - 188	2100	270
1250	8x6	MSC8-150-400	85 - 126	1760	270
1250	8x6	MSC8-150-420	241-346	2950	460
1500	8x6	MSC8-150-640	124-220	1480	300
1500	8x6	MSC8-150-460	115-181	1800	275
1500	8x6	MSC8-150-375	88 - 128	1760	270
1500	8x6	MSC8-150-375	100 - 187	2100	270
1500	8x6	MSC8-150-310	109-221	2980	350
1500	8x6	MSC8-150-310	158-269	3550	370
1500	8x6	MSC8-150-330	71 - 131	2350	229
1500	8x6	MSC8-150-330	90 - 163	2600	263
1500	8x6	MSC8-150-250	122-216	3550	330
1500	8x6	MSC8-150-480	120-171	1760	275
1500	8x6	MSC8-150-400	82 - 124	1760	270
1500	8x6	MSC8-150-400	121-181	2100	275
2000	8x6	MSC8-150-400	94 - 115	1760	270
2000	8x6	MSC8-150-640	117-216	1480	300
2000	8x6	MSC8-150-480	109-165	1760	275
2000	8x6	MSC8-150-480GL	122-188	1760	270
2000	8x6	MSC8-150-460	118-175	1800	275
2000	8x6	MSC8-150-400	111-174	2100	275
2000	8x6	MSC8-150-330	107-190	2950	310
2000	10x8	MSC10-200-500	118-186	1800	320
2000	10x8	MSC10-200-500	149-234	2000	320
2000	10x8	MSC10-200-350	123-239	2980	362
2500	8x6	MSC8-150-640	107-206	1480	300
2500	8x6	MSC8-150-480	96-155	1760	275
2500	8x6	MSC8-150-480GL	111-181	1760	270
2500	8x6	MSC8-150-400	160	2100	275
2500	10x8	MSC10-200-350	114-227	2980	362
2500	10x8	MSC10-200-430	138	1800	275
2500	10x8	MSC10-200-450	124-155	1760	333
2500	10x8	MSC10-200-450	165-203	2000	333
2500	10x8	MSC10-200-500	110-176	1800	320
2500	10x8	MSC10-200-500	141-225	2000	320
2500	10x8	MSC10-200-430	125-190	2100	275
3000	8x6	MSC8-150-640	162-194	1480	300
3000	10x8	MSC10-200-450	115-147	1760	333
3000	10x8	MSC10-200-450	158-197	2000	333
3000	12x10	MSC12-250-640	176-249	1480	330
3000	12x10	MSC12-250-500	120-154	1480	330
3000	10x8	MSC10-200-500	121-179	1760	340
3000	10x8	MSC10-200-500	162-238	2000	340

3000	10x8	MSC10-200-430	144-187	2100	275
3000	10x8	MSC10-200-600	114-188	1480	275
3000	10x8	MSC10-200-600	166-246	1760	330
3500	12x10	MSC12-250-640G	196-290	1480	377
3500	12x10	MSC12-250-640	169-242	1480	330
3500	12x10	MSC12-250-500	117-152	1480	330
3500	10x8	MSC10-200-500	136-170	1760	340
3500	10x8	MSC10-200-600	107-184	1480	275
3500	10x8	MSC10-200-600	160-241	1760	330
3500	12x10	MSC12-250-490	119-189	1800	290
3500	10x8	MSC10-200-500	154-229	2000	340
4000	10x8	MSC10-200-600	142-176	1480	275
4000	10x8	MSC10-200-600	152-234	1760	330
4000	12x10	MSC12-250-500	114-148	1480	330
4000	12x10	MSC12-250-640	162-233	1480	330
4000	12x10	MSC12-250-640G	191-288	1480	377
4000	14x10	MSC14-250-640	138-217	1480	300
4000	12x10	MSC12-250-490	114-185	1800	290
4000	12x10	MSC12-250-500	125-225	1800	330
4500	10x8	MSC10-200-600	175-226	1760	330
4500	12x10	MSC12-250-500	109-145	1480	330
4500	12x10	MSC12-250-600	143-207	1450	303
4500	12x10	MSC12-250-640G	184-284	1480	377
4500	14x10	MSC14-250-640	136-216	1480	300
4500	16x14	MSC16-350-640	129-196	1480	315
4500	12x10	MSC12-250-490	153-181	1800	290
4500	12x10	MSC12-250-500	121-222	1800	330
5000	12x10	MSC12-250-600	139-206	1450	303
5000	12x10	MSC12-250-640G	211-277	1480	377
5000	14x10	MSC14-250-640	134-214	1480	300
5000	16x14	MSC16-350-640	127-194	1480	315
5000	12x10	MSC12-250-500	134-218	1800	330
5500	16x12	MSC16-300-750	205-278	1480	370
5500	16x14	MSC16-350-640	124-192	1480	315
6000	14x10	MSC14-250-640	127-209	1480	300
6000	14x10	MSC14-250-640	220-280	1760	370
6000	16x12	MSC16-300-750	204-277	1480	370
6000	16x14	MSC16-350-640	120-190	1480	315
6500	14x10	MSC14-250-640	205	1480	300
6500	14x10	MSC14-250-640	216-276	1760	370
6500	16x12	MSC16-300-750	203-276	1480	370
6500	16x14	MSC16-350-640	116-186	1480	315
7000	14x10	MSC14-250-640	201	1480	300
7000	14x10	MSC14-250-640	211-271	1760	370
7000	16x12	MSC16-300-750	200-274	1480	370
7000	16x14	MSC16-350-640	113-182	1480	315
7500	14x10	MSC14-250-640	195	1480	300
7500	14x10	MSC14-250-640	205-267	1760	370
7500	16x12	MSC16-300-750	197-272	1480	370
7500	16x14	MSC16-350-640	109-179	1480	315
8000	14x10	MSC14-250-640	239-261	1760	370
8000	16x12	MSC16-300-750	223-269	1480	370
8000	16x14	MSC16-350-640	117-192	1540	315

	Vendor Ref. No.	
	Contractor Ref. No.	
Project Name:	Contractor Job No.	

DIESEL ENGINE SPECIFICATIONS

<i>0</i>	<i>SUBMITTED FOR APPROVAL</i>				
Rev	Description	Prepared	Checked	Approved	Date



Never
Compromise
on Safety.

karloskar
Oil Engines

A rich tradition of engineering excellence

The Kirloskar Legacy stands for a tradition of excellence for more than a century now. A personification of patronizing values and visionary goals, the name 'Kirloskar' is engraved on numerous nation-building milestones. Today, the Kirloskar Group, with a turnover exceeding USD 1.6 billion, stands as an enormous industrial conglomerate.

Incorporated in 1946, Kirloskar Oil Engines Limited (KOEL) is the flagship company of the Kirloskar group. We have four state-of-the-art manufacturing units in India that offer world-class service.

The company has a sizable presence in international markets, with offices in the USA, UAE., South Africa, Kenya and representatives in Indonesia, Vietnam and Nigeria. KOEL also has a strong distribution network throughout the Middle East and Africa.

Kirloskar Engines for Fire Pumps

Reliability of the fire protection systems is a major concern for insurance companies and end users. A prime contributor to the reliability of fire pumps is a dependable driver.

With over sixty years of experience in engine designing and manufacturing, Kirloskar Oil Engines Ltd. has the capability to offer dependable diesel engines for critical applications.

The company's work with OEMs, contractors, consultants and end users over the years, has given it a comprehensive understanding of the need for cost effective and reliable diesel engines for fire pump packages.

Today KOEL is an acknowledged leader in the manufacturing of diesel engines, agricultural pumpsets, power tillers and generating sets. The company currently ranks among the leading manufacturers of diesel engines, which are manufactured and sold under Kirloskar Brand. Kirloskar engines cover a power envelop span ranging from 4 hp to 1250 hp in air-cooled and liquid cooled versions.

KOEL manufactures over 225,000 engines annually, which are used in over 100 different applications. These applications are found in sectors such as agriculture, power generation, construction, material handling, earth-moving, mining, offshore, fluid handling and agro-industrial market segments that include defence and marine applications. KOEL exports to over 60 countries worldwide.

Kirloskar KFP series engines have been designed to meet the stringent requirements of Factory Mutual (FM), Underwriters Laboratories (UL) as well as NFPA 20 standards.

KFP series engines are currently available in 19 different ratings approved by FM and listed by UL. These stringent approval criteria cover performance and functional requirements, examination of manufacturing facility, quarterly audits of quality assurance procedures and a follow up programme to verify approved products' conformance.

Salient features of KFP series

- Heat exchanger for engine coolant
- Liquid cooled charge air cooler for after-cooled engine models
- FM approved cooling loop with raw water solenoid, flow switch and manual valves in main & emergency lines as per NFPA20 requirements
- Engine mounted instrument panel duly isolated from vibration
- Junction box integral with instrument panel for AC wiring
- Interconnection to main controller
- Engine coolant heater
- Starter Contactors (DC)
- Splitter for splitting the charging current coming from alternator to dual battery
- Heat shield on exhaust manifold, turbo charger & CAC pipes
- Fire resistant flexible supply & return lines in fuel connections
- UL listed drive shafts

Optional Accessories offered with Kirloskar KFP range for Fire Pump OEMs

- Drive Shaft Assembly: Listed or Non-Listed along with Drive Shaft Guard
- Fabricated Base Frames customized to suite various Engine-Pump combinations for Drop-in assembly of pumps
- Engine Base frames for VT pump installations
- Torsional Couplings with free service of TV analysis report
- Battery kits
- Weather Proof / Sound Attenuated Enclosures
- Standard Tool Kit
- Engine Maintenance Kits



FM Approved & UL Listed Ratings

Engine Model	FM APPROVED & UL LISTED RATINGS							
	1760 RPM	2100 RPM	2200 RPM	2350 RPM	2600 RPM	2800 RPM	2900 RPM	3000 RPM
	HP	HP	HP	HP	HP	HP	HP	HP
KFP4R-FM05D1 Naturally Aspirated							43*	
KFP4R-UF05 Naturally Aspirated						57	56	55
KFP4R-UF07 Naturally Aspirated	62	70	74	74	77			
KFP4R-UF08 Naturally Aspirated						77	77	76
KFP4R-UF15 Turbocharged After cooled	108	111	117	143	151			
KFP4R-UF16R1 Turbocharged After cooled						105	128	152
KFP4R-UF16R2 Turbocharged After cooled						146	131	116
KFP6R-UF25 Turbocharged After cooled	169	191	196	203	225			
KFP6R-UF26R1 Turbocharged After cooled						251	249	247
KFP6R-UF26R2 Turbo-charged						164	191	217
KFP6S-UF35 Turbocharged After cooled	288	336	332	330				

*FM only rating

Values are rounded off from the decimals to the nearest whole value

The Final offered Listed Ratings may vary slightly

Above mentioned Engine Ratings are as per NFPA 20 & FM approved guidelines and are applicable for stationary emergency standby fire pump service alone Engines are rated at Standard site conditions with Temperature of 25°C, Altitude of 91 m (300 ft) above sea level and humidity of 60%

Engines are subjected to deration when operating at other site conditions. Please contact Kirloskar Oil Engines Ltd. for duration guidelines.

Brief specifications

Models	KFP4R- UF 05	KFP4R-UF 07/08	KFP4R-UF 15/16	KFP6R-UF 25/26	KFP6S-UF 35
Engine Description	Vertical, Liquid Cooled, Compression Ignition, Four Stroke, Naturally Aspirated		Vertical, Liquid Cooled, Compression Ignition, Four Stroke, / Turbo After-Cooled Diesel Engines		
Bore x Stroke (mm)	96 x 112	105 x 120		105 x 125	118 x 135
Displacement (cc)	3242	4160		6480	8800
Compression Ratio	18:01	18:01	18:01	17.6:1	17.5:1
Direction of Rotation	Counter- Clockwise (Looking from Flywheel End)				
Speed-Max Operating (rpm)	3000				2350
Min. Operating (rpm)	1760				
Dimensions (mm) L x W x H	1248x878x1120	1840x1140x1580	1840x1140x1580	2130x1330x1630	2270x1580x1890
Weight (kg)	500	580	630	880	1160



Global Presence

KIRLOSKAR DMCC

JBC - 5, Cluster W, Jumeirah Lake Towers, P.O. Box 37745 Dubai U.A.E
 Tel.: +971 4 443 8591
 Fax : +971 4 441 4532
 Email : enquiry@kirloskarib.com
 Email : enquiry@kirloskar.ae
 Website : www.kirloskarib.com

KIRLOSKAR TRADING SA (PTY) LTD.

Unit B1, The Stables Business Park, Cnr of Third Avenue & Second Road, Limbro Park, Modderfontein, Johannesburg.
 Tel. : +27 11 553 6900 / 6903
 Email : prem.shankar@kirloskar.com

KIRLOSKAR KENYA LTD.

P.O Box 60061, Off Dunga Road, Nairobi, Kenya,
 Tel. : +254 20 653 6632
 Fax : +254 20 653 3390
 Email : raj.patil@kirloskar.com

KIRLOSKAR AMERICAS CORPORATION

33300 Egypt Lane, Suite C300 Mangolia, TX 77354
 Tel. : +1 346 248 5777
 Cell Ph : +1 832 675 1595
 Fax : +1 830 423 8060
 Email : info@koelamerica.com



KIRLOSKAR OIL ENGINES LIMITED

A Kirloskar Group Company

Regd. Office : 13, Laxmanrao Kirloskar Road, Khadki, Pune, Maharashtra 411 003 INDIA
 Tel.: +91(20) 2581 0341 Fax: +91(20) 2581 3208, 2581 0209
 Helpline: +91 8806 33 44 33
 Email: koel.helpdesk@kirloskar.com Website: www.koel.co.in



- Technical details mentioned above may vary as per site condition / situation. As continuous improvements are contemplated the description and illustrations are not binding.
- This catalogue is copyrighted and may not be reproduced in any form, not even parts of it, without previous written permission by copyright owners, Kirloskar Oil Engines Ltd.
- Mark 'Kirloskar' used in any form as prefix or suffix is owned by Kirloskar Proprietary Limited and Kirloskar Oil Engines Limited is permitted user.



Enriching Lives

Engine Data Sheet
Kirloskar Oil Engines Limited
Laxmanrao Kirloskar Road
Khadki, Pune - 411003 (India)

Basic Engine Model:

KFP6R-UF26R2

Reference Number : EDS - UF26R2 - 00

Revision Date : 28.05.2018

Rev. Number : 00

General Engine Data

Engine Manufacturer.....	KOEL
Ignition Type.....	Compression (Diesel)
Number of Cylinders.....	6
Bore and Stroke - in(mm).....	4.13 x 4.92 (105 x 125)
Displacement - in ³ (L).....	395.4 (6.48)
Compression Ratio.....	17.0 : 1
Valve per cylinder - Intake.....	1
Exhaust.....	1
Combustion System.....	Direct Injection
Engine Type.....	In-Line, 4 Stroke Cycle
Aspiration.....	Turbocharged, Aftercooled
Firing Order.....	1-5-3-6-2-4
Charge Air Cooling Type.....	Raw Watercooled
Rotation(Viewed from Flywheel end) - Clockwise..	Not Available
Counter-Clockwise.....	Standard
Engine Crankcase Vent System.....	Open
Installation Drawing.....	6H.2623.00.0.00

Power Rating - Approved

	2800	2900	3000
Engine Nameplate Power - HP(kW).....	164(122)	191(142)	217(161)

Cooling system

	2800	2900	3000
Engine Coolant Heat - Btu/sec(kW).....	58.8(62)	67.3(71)	77.7(82)
Engine Radiated Heat - Btu/sec(kW).....	43.6(46)	46.4(49)	62.5(66)
Heat Exchanger minimum Flow			
60°F (16°C) Raw Water - gal/min (LPM)....	25.0(95)		
100°F (38°C) Raw Water - gal/min (LPM)...	27.75(105)		
Heat Exchanger Maximum Cooling Water			
Inlet Pressure - lb/in ² (bar)	60(4.13)		
Flow - gal/min (LPM).....	37(140)		
Thermostat, Start to Open - °F (°C).....	165.2(74)		
Fully Opened - °F (°C).....	183.2(84)		
Engine Coolant capacity - L.....	18		
Engine Coolant High Temp. Switch - °F (°C).....	203(95)		
Engine Coolant Low Temp. Switch - °F (°C).....	95(35)		
Raw water High Temp. Switch - °F (°C).....	149(65)		

Continued.....

Electric System - DC

System Voltage (Nominal).....	12 V
Battery Capacity for Ambient above 32°F (0°C)	
Voltage (Nominal).....	12 V
Current Capacity - Amp/hr.....	180
Qty. per Battery Bank.....	1
CCA at 0°F (-18°C).....	640
Reserve Capacity - Minutes.....	260
Battery Cable Minimum Size - mm ²	70
Charging Alternator Output - Amp.....	35
Starter Cranking Amps - at 60°F (15°C).....	250 - 350

Exhaust System

	2800	2900	3000
Exhaust Flow - ft ³ /min (m ³ /min).....	1344.9(38.1)	1655.2(46.9)	1894.2(53.6)
Exhaust Temperature - °F (°C).....	824(440)	860(460)	878(470)
Max. Allowable Back Pressure - in H ₂ O(kPa).....	16(4)		
Exhaust pipe Dia. In (mm) for further exhaust piping(Min.).....	5 (125)		

Fuel System

	2800	2900	3000
Fuel Consumption - gal/hr (L/hr).....	9.3(35.3)	11.04(41.8)	12.8(48.3)
Fuel Return - gal/hr (L/hr).....	43.96(166.3)	42.22(159.8)	40.46(153.3)
Total Supply Fuel Flow - gal/hr (L/hr).....	53.26(201.6)	53.26(201.6)	53.26(201.6)
Fuel Pressure - lb/in ² (kPa).....	36.25(250)		
Fuel Supply Line Size(Min.) - in(mm)	0.5(12.7)		
Fuel Return Line Size(Min.) - in(mm).....	0.375(9.5)		
Max. Allowable Fuel Pump Suction With Clean Filter - in H ₂ O (m H ₂ O).....	31 (0.8)		
Max. Allowable Fuel Head Above Fuel Pump Supply or Return - m (ft).....	5 (16.4)		
Fuel Filter Size - Micron.....	3-5 micron		

Heater System

Jacket Water Heater.....	Standard
Wattage (Nominal).....	2000
Voltage - AC, 1P.....	240

Air Intake System

	2800	2900	3000
Air Cleaner Type.....	Dry type, Indoor service only		
Air Intake Restriction Maximum Limit			
Dirty Air Cleaner - in H ₂ O (kPa).....	8(2) for 2800 to 3000 rpm		
Clean Air Cleaner - in H ₂ O (kPa).....	4(1.0) - 5(1.25)		
Engine Air Flow - ft ³ /min (m ³ /min).....	547.4(15.5)	674.5(19.1)	741.6(21)
Air Temperature(At Engine Inlet) - °F (°C).....	113(45) Max. Allowable		

Continued.....

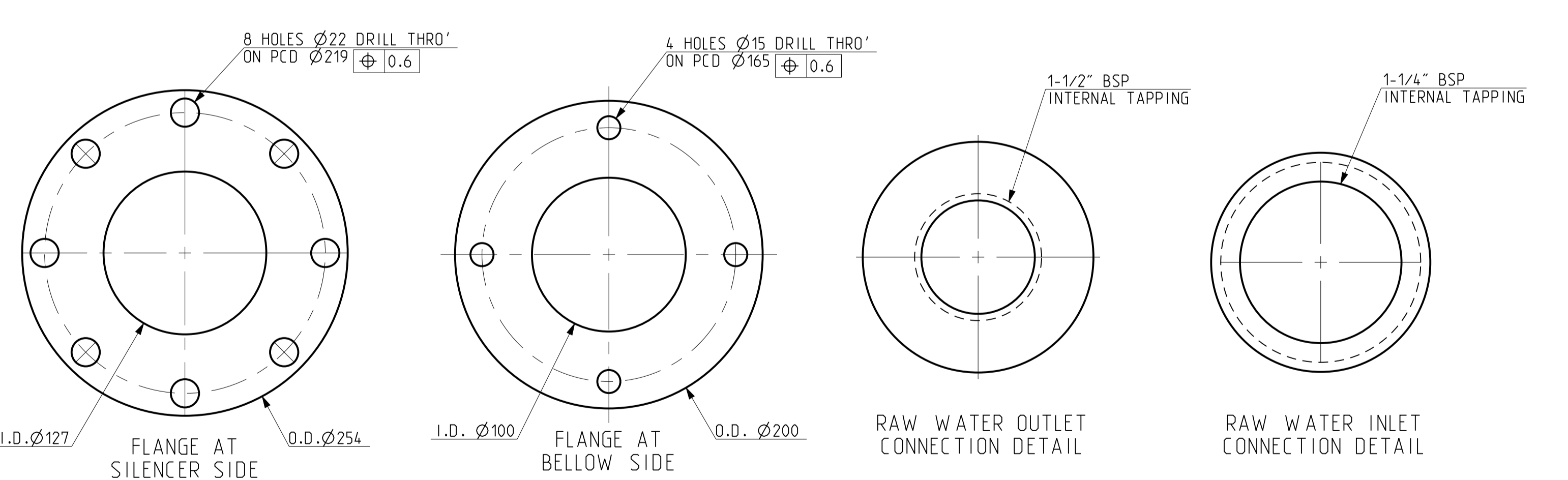
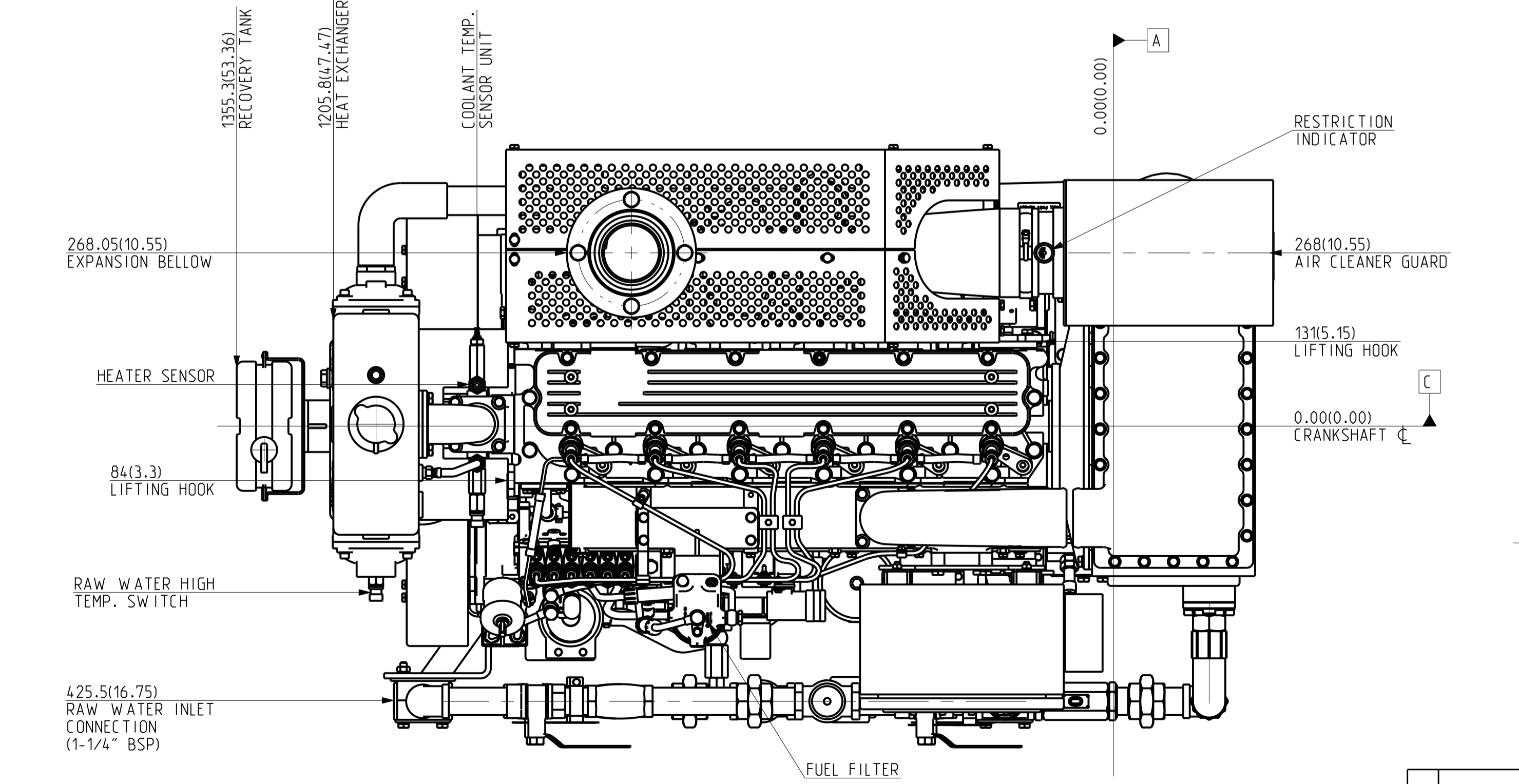
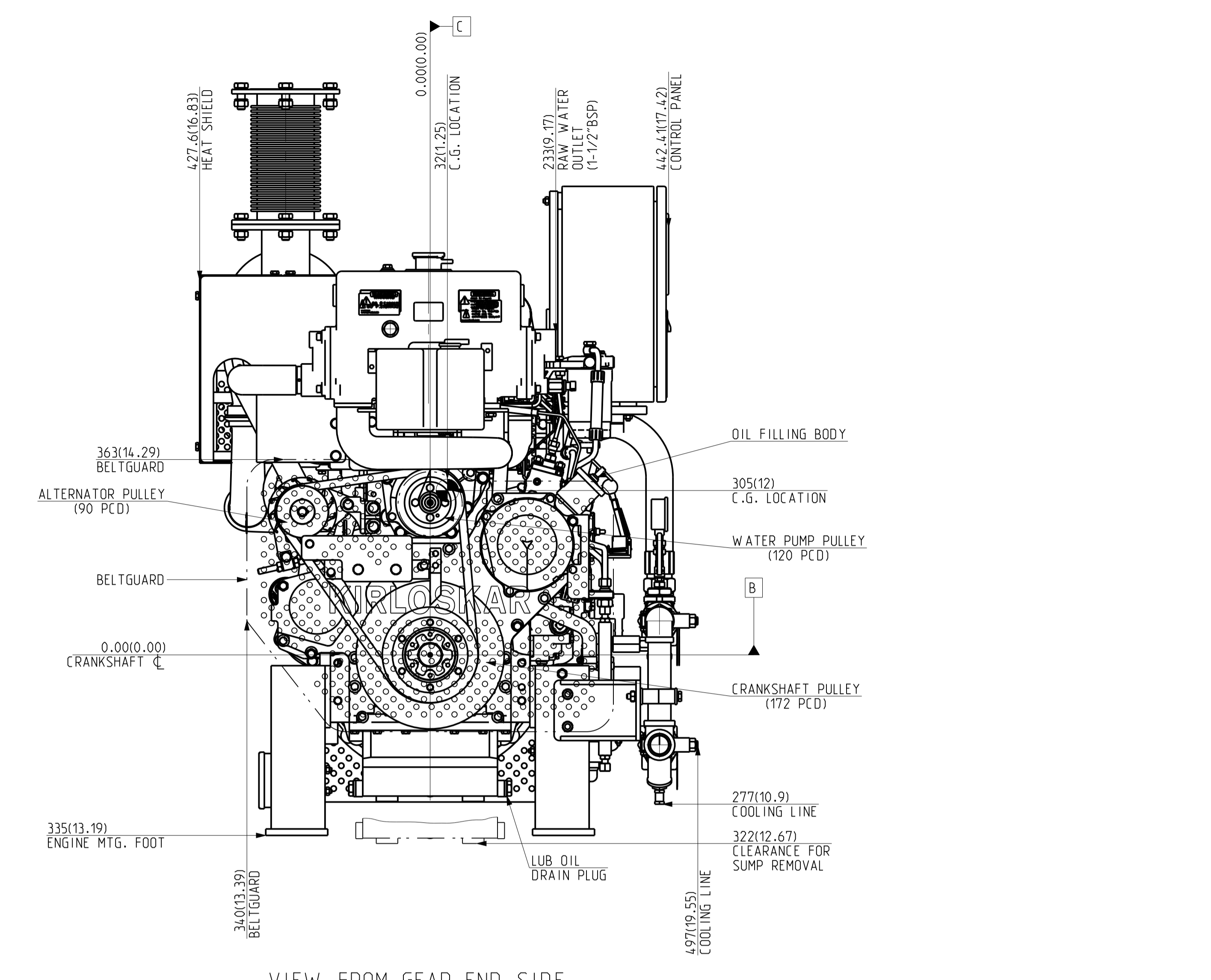
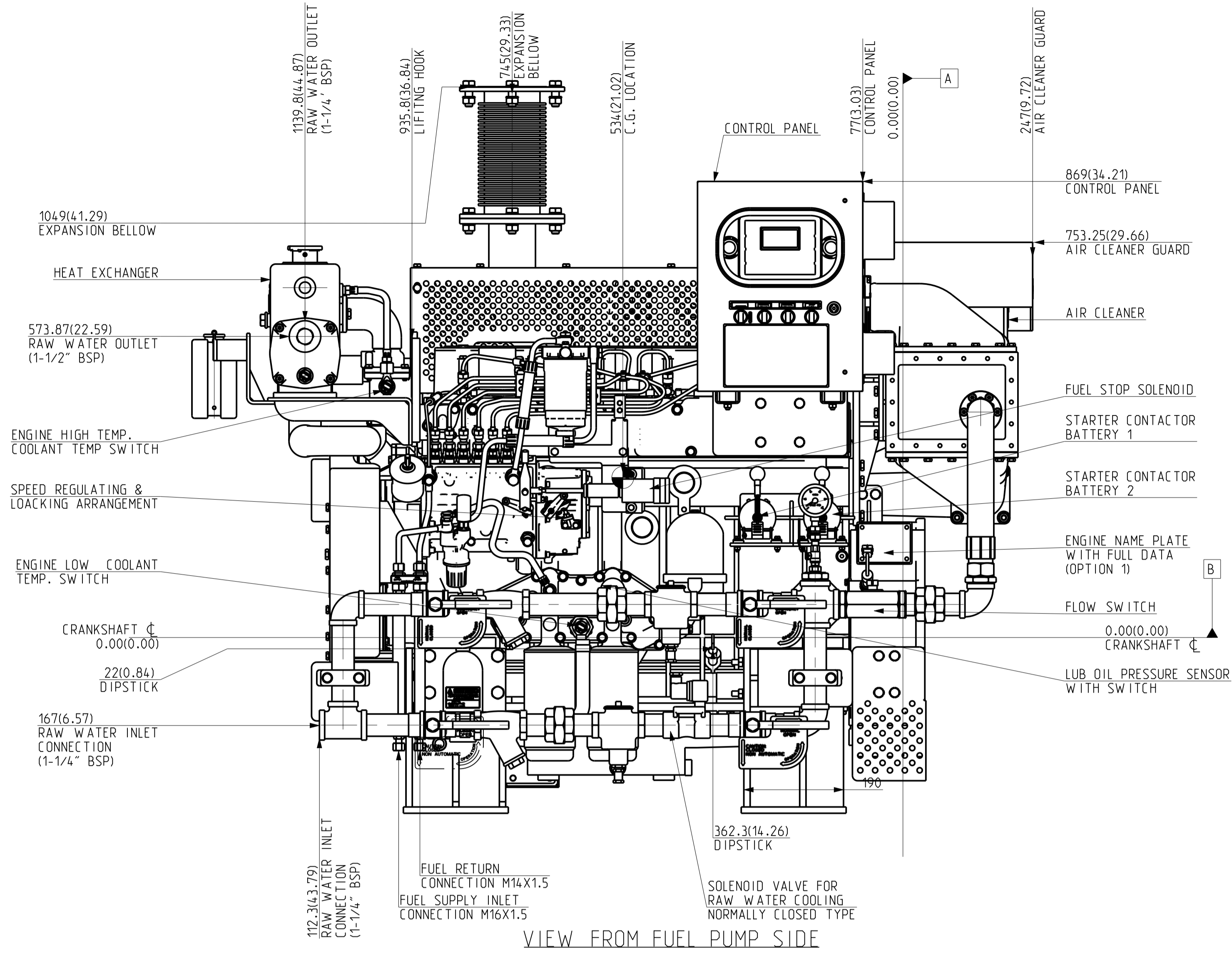
Lubrication System

Oil Pressure(Normal) - lb/in ² (kPa).....	36.2 to 79.77 (250 to 550)
Oil Temperature(In Pan) - °F (°C) (max.).....	248 - 266 (120 - 130)
Oil Pan Capacity, High - L.....	11.5
Low - L.....	9
Total Oil Capacity with filter - L.....	14.5

Performance

	2800	2900	3000
BMEP - lb/in ² (kPa).....	116.7(805)	131.3(905)	144(992)
Piston Speed - ft/min (m/min).....	2297(700)	2379(725)	2461(750)
Mechanical Noise - dB(A) at 1m.....	102 approx.		
Power Curve.....	Performance curve No. EPC - UF26R2 - 00		

Note : The unit 'gal/hr or gal/min' mentioned in above data sheet is US gallon.



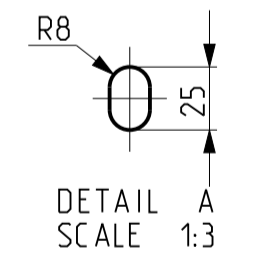
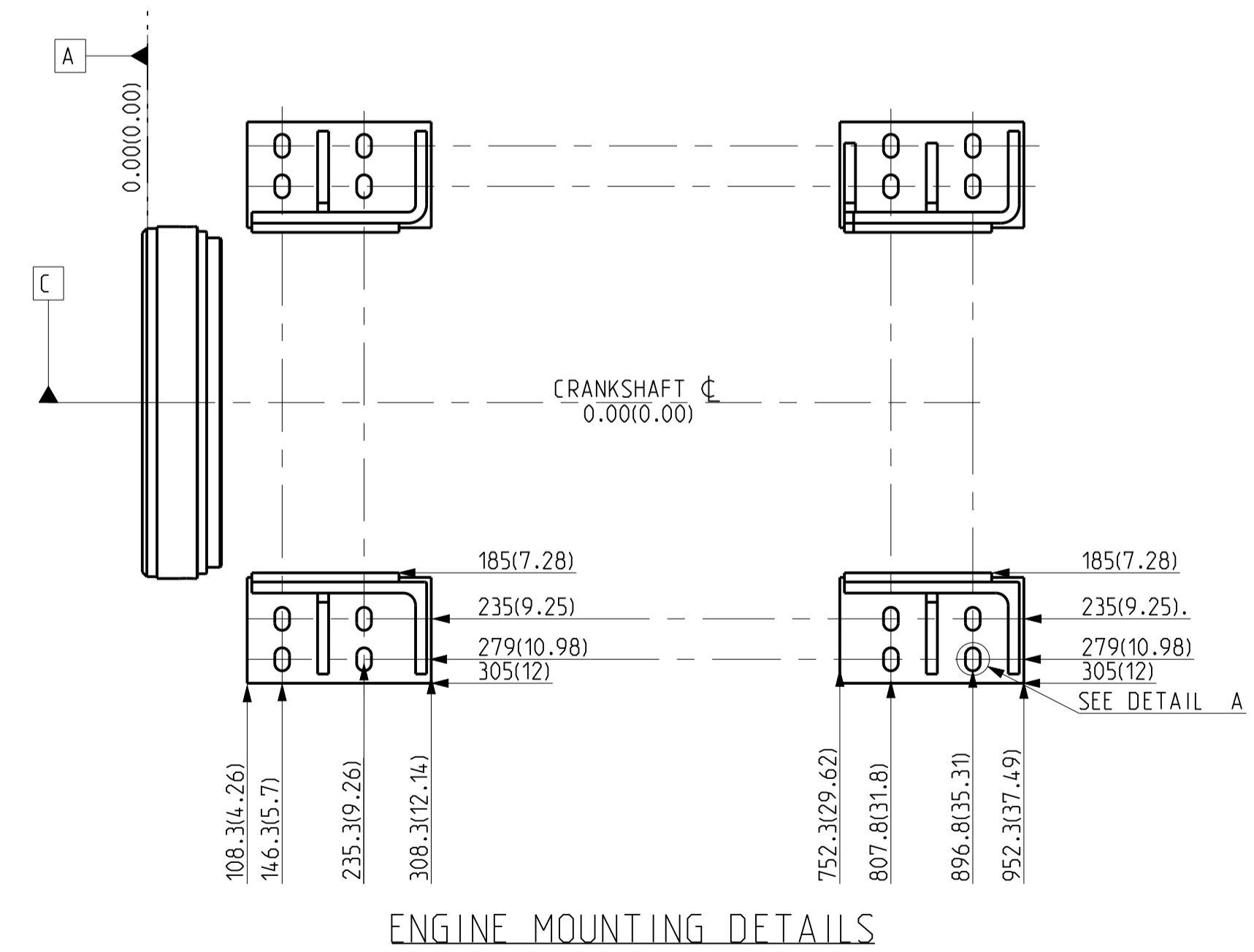
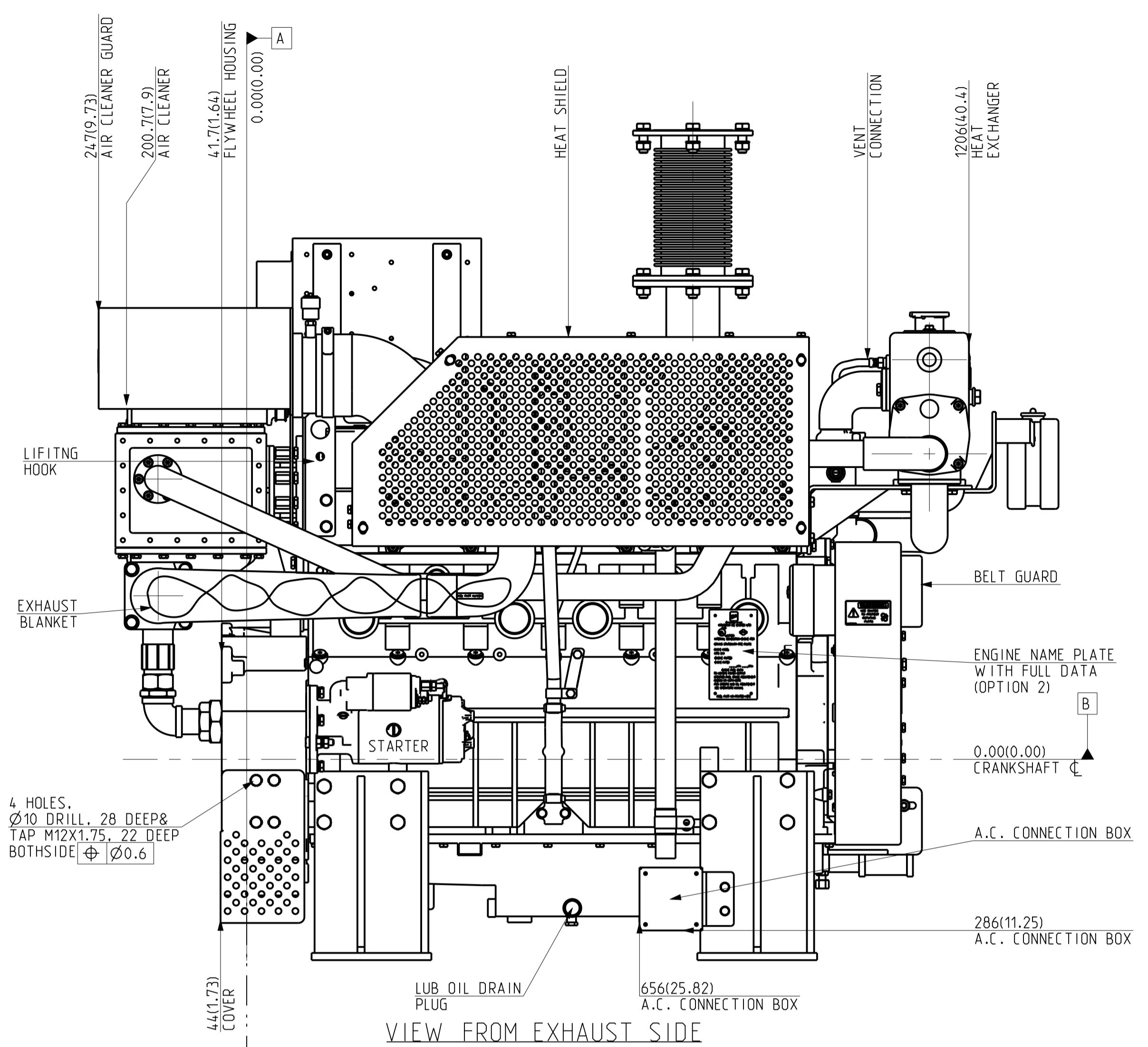
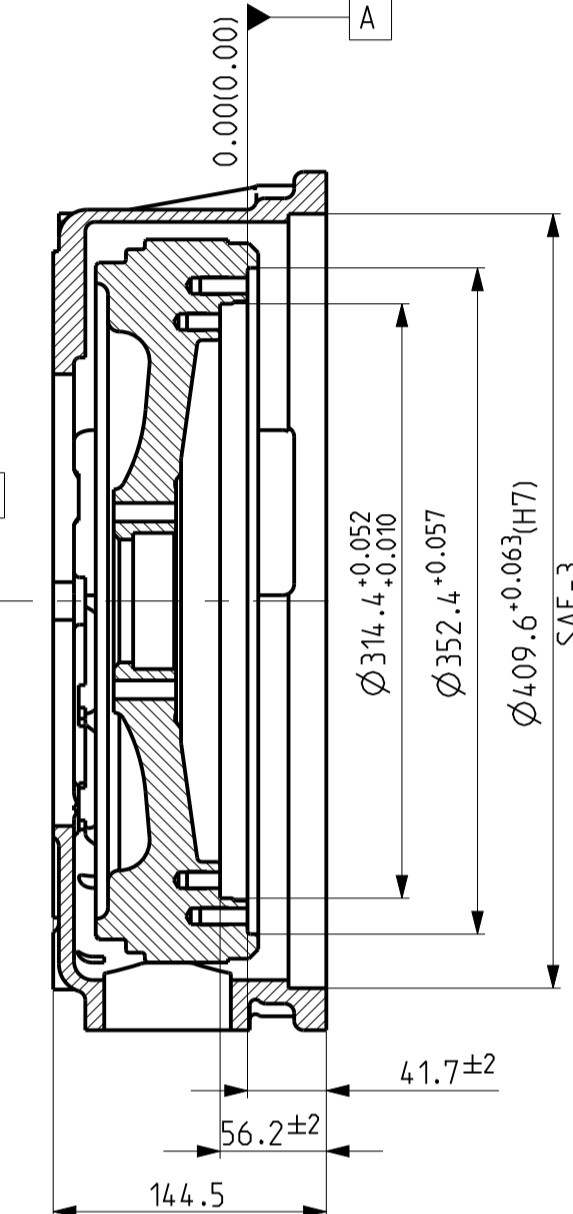
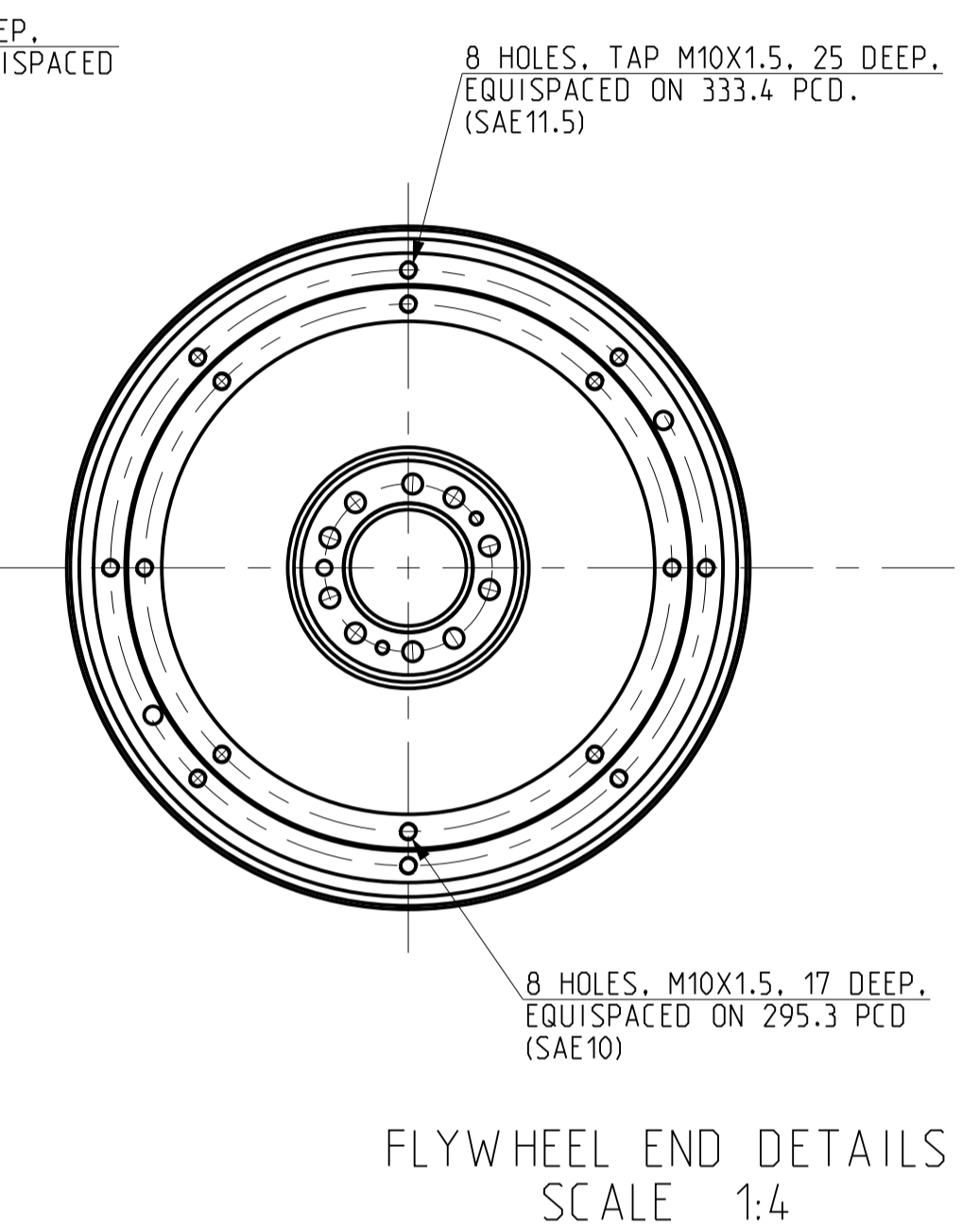
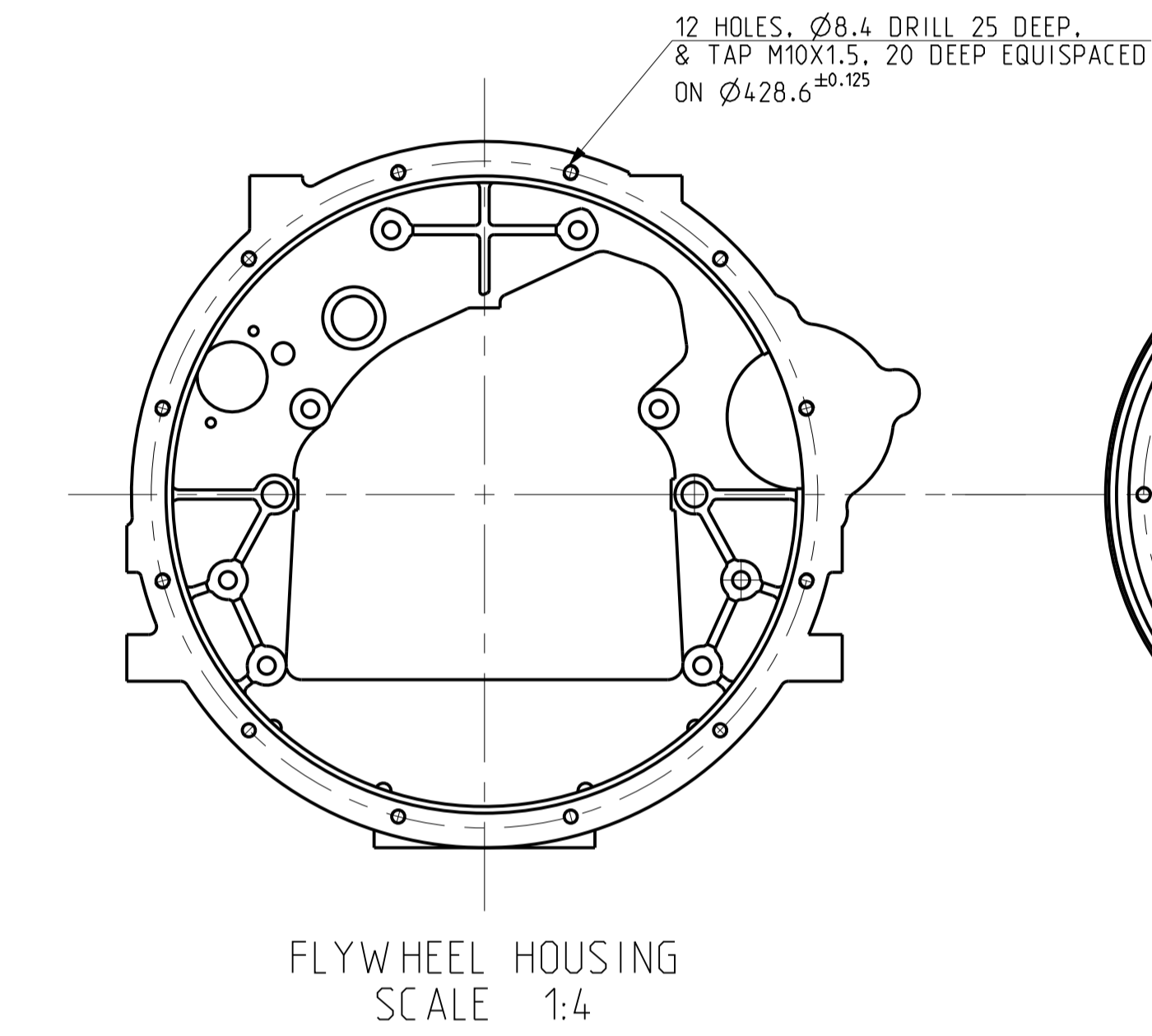
NOTES:-
ALL DIMENSIONS SHOWN ARE IN MM
AND IN BRACKET ARE IN INCHES.

DATUMS
A MOUNTING FACE OF FLYWHEEL.
B ENGINE CRANKSHAFT HORIZONTAL CENTER LINE.
C ENGINE CRANKSHAFT VERTICAL CENTER LINE.

IF IN DOUBT ASK
 PRINTS OF PREVIOUS REVISION NO. SHOULD BE SCRAPPED

THIS DRAWING IS PROPERTY OF KIRLOSKAR OIL ENGINES LTD. AND MUST BE RETURNED ON REQUEST. IT IS SUBMITTED AS CONFIDENTIAL INFORMATION WITH OUR ENQUIRY, TENDER, ORDER OR CONTRACT NO. IT IS NOT TO BE ISSUED FOR ANY OTHER PURPOSE OR ORDER NOR MAY BE COPIED OR LENT WITHOUT OUR AUTHORITY IN WRITING.
 FORMAT No. RBE/FORM/056/01 (REFER DDP No. RBE 4.4.03)

UNLESS OTHERWISE SPECIFIED				CAD DRG. FILE:- PLM		CASTING/FORGING DRG. NO.			
● ALL DIMENSIONS ARE IN mm.				MATERIAL :-		WEIGHT (kg) :-			
● SURFACE ROUGHNESS AS PER CO. STD. NO. 10501.				DRN SSG(MODELCAM)		TITLE			
● UNMENTIONED TOLERANCES AS PER CO. STD. NO. 11001/M.				CHD. <i>S. S. G.</i>		ENGINE INSTALLATION			
● REMOVE ALL SHARP BURRS AND SHARP EDGES.				APPD. <i>B. S. D.</i>		SCALE 1:6			
● DRAWING NOT TO BE SCALED.				DATE 12/09/2017		SHT. NO 1 OF 2			
UNMENTIONED				DATE 12/09/2017		DRAWING FOR KFP6R-UF26 SERIES ENGINES.			
RADII --				KIRLOSKAR OIL ENGINES LTD.,		DRAWING NO. 6H.2623.00.0.00			
CHAMFER --				PUNE 411 003 (INDIA)		REV. NO. 00			
UNDERCUT --									
No.	REVISION	ZONE	MODIFIED BY	REF. No. DATE	No.	REVISION	ZONE	MODIFIED BY	REF. No. DATE
	00		PR CHANGED TO 00						



IF IN DOUBT ASK


PRINTS OF PREVIOUS REVISION NO. SHOULD BE SCRAPPED

THIS DRAWING IS PROPERTY OF KIRLOSKAR OIL ENGINES LTD. AND MUST BE RETURNED ON REQUEST. IT IS SUBMITTED AS CONFIDENTIAL INFORMATION WITH OUR ENQUIRY. TENDER, ORDER OR CONTRACT NO. IT IS NOT TO BE ISSUED FOR ANY OTHER PURPOSE OR ORDER NOR MAY BE COPIED OR LENT WITHOUT OUR AUTHORITY IN WRITING.

FORMAT No.RBE/FORM/056/01 (REFER DOP No. RBE 4.4.03)

UNLESS OTHERWISE SPECIFIED				CAD DRG. FILE:- PLM				CASTING/FORGING DRG. NO.	
● ALL DIMENSIONS ARE IN mm.				MATERIAL :-				WEIGHT (kg) :-	
● SURFACE ROUGHNESS AS PER CO. STD. NO. 10501.				DRN SSG(MODELCAM)				TITLE	
● UNMENTIONED TOLERANCES AS PER CO. STD. NO. 11001/M.				CHD. <i>S. S. Srinivas</i>				ENGINE INSTALLATION	
● REMOVE ALL SHARP BURRS AND SHARP EDGES.				APPD. <i>B. S. Srinivas</i>				SCALE 1:6	
● DRAWING NOT TO BE SCALED.				DATE 12/09/2017				SHT. NO 2 OF 2	
UNMENTIONED				DATE 12/09/2017				DRAWING NO. 6H.2623.00.0.00	
RADI1 --				KIRLOSKAR OIL ENGINES LTD., PUNE 411 003 (INDIA)				REV. NO. 00	
CHAMFER --									
UNDERCUT --									
No.	REVISION	ZONE	MODIFIED BY	REF. No. DATE	No.	REVISION	ZONE	MODIFIED BY	REF. No. DATE
	00			PR CHANGED TO 00					

LIFECYCLE STATE:- RELEASED

	Vendor Ref. No.	
	Contractor Ref. No.	
Project Name:	Contractor Job No.	

DIESEL DRIVEN PUMP CONTROLLER SPECS

<i>0</i>	<i>SUBMITTED FOR APPROVAL</i>				
Rev	Description	Prepared	Checked	Approved	Date



TORNATECH

Project: _____

Customer: _____

Engineer: _____

Pump Manufacturer: _____

Technical Data Submittal Document

Model GPD

Diesel Engine Driven Fire Pump Controller



Contents:

- Data Sheets
- Dimensional Data
- Wiring Schematics
- Field Connections

Note: The drawings included in this package are for controllers covered under our standard offering. Actual AS BUILT drawings may differ from what is shown in this package.



March 2024



Standard, Listings, Approvals and Certifications	Built to NFPA 20 (latest edition)		
	Underwriters Laboratory (UL)	UL218 - Fire Pump Controllers	
	FM Global	Class 1321/1323	
	New York City	Accepted for use in the City of New York by the Department of Buildings	
	CE Mark	Various EN, IEC & CEE directives and standards	
	Built in Canada or U.A.E	Built in Europe	
	CE Mark Option	Supplied as Standard	
Enclosure	Protection Rating		
	Built in Canada or U.A.E	Built in Europe	
	Standard: NEMA 2	Standard: IP55	
	Optional		
	NEMA 12	NEMA 4X-304 sst painted	IP54
	NEMA 3	NEMA 4X-304 sst brushed finish	IP55
	NEMA 3R	NEMA 4X-316 sst painted	IP65
	NEMA 4	NEMA 4X-316 sst brushed finish	IP66
	Accessories • Bottom entry gland plate • Lifting Lugs • Keylock handle	Paint Specifications • Red RAL3002 • Powder coating • Glossy textured finish	
Ambient Temperature Rating	Standard 4°C to 40°C / 39°F to 104°F		
	Optional 4°C to 55°C / 39°F to 131°F Controllers built in Dubai, UAE (Tornatech FZE) are supplied standard with 55°C rating.		





General	AC	120V / 1ph / 60hz 208V to 240V / 1ph / 50-60hz
	DC	12VDC 24VDC
	Grounding system	• Negative
	Battery chargers	• Two independent fully automatic • 10A continuous charge • 500mA trickle charge
Electrical Reading	<ul style="list-style-type: none"> • Battery 1 & Battery 2 voltage • Battery 1 & Battery 2 charging amperage • Charging mode 	
Pressure Reading	<ul style="list-style-type: none"> • Continuous system pressure display • Cut-in and cut-out pressure setting 	
Pressure and Event Recorder	<ul style="list-style-type: none"> • Pressure readings with date stamp • Event recording with date stamp • Under regular maintained operation, events are stored in memory for the life of the controller. • Data viewable on operator interface display screen • Downloadable by USB port to external memory device 	



Pressure sensing	<ul style="list-style-type: none"> • Pressure transducer and run test solenoid valve assembly for fresh water application • Pressure sensing connection 1/2" Female NPT • Drain connection 3/8" • Rated and calibrated for 0-500psi working pressure • Externally mounted with protective cover
Audible Alarm	Alarm buzzer - 85dB at 3 meters
Visual Indications	<ul style="list-style-type: none"> • Engine run • Main switch AUTO • Main switch in OFF • Main switch in HAND • Periodic test • Cranking Cycle • AC Power available • Pump room temperature (°F or °C)
Visual & Audible Alarms	<p>Visual only</p> <ul style="list-style-type: none"> • Pump room trouble • Pump on demand • AC Failure • Charger 1 & 2 Failure • Weak battery 1 & 2 • Battery 1 & 2 overvoltage • Loss of continuity 1 & 2 • High fuel level • Fuel tank leak • PLD low suction pressure • High raw water temperature • Low pump room temperature • Service required • ECM warning • Weekly test cut-in not reached • Check weekly test solenoid • Pressure transducer fault • Invalid Cut-In <p>Visual and Audible</p> <ul style="list-style-type: none"> • Engine trouble • Controller trouble • Engine low oil pressure • Engine high temperature • Engine low temperature • Engine overspeed • DC Failure • Battery 1 & 2 Failure • Engine fail to start • Low fuel level • ECM fault • ECM SS in Alternate Position • Fuel injection malfunction
Remote Alarm Contacts	<p>DPDT-8A-250V.AC</p> <ul style="list-style-type: none"> • Engine run • Common controller trouble <ul style="list-style-type: none"> • Charger #1 & Charger #2 failure • Pressure transducer fault • Common engine trouble <ul style="list-style-type: none"> • High engine temperature • Fail to start • Fuel injection malfunction** • ECM selector switch in alternate position*** • Battery #1 & battery #2 failure • DC failure • Loss of continuity (starter) #1 and/or #2 • PLD low suction pressure • Overspeed • Fail when running • Low oil pressure • Common pump room trouble (field re-assignable)* <ul style="list-style-type: none"> • Low fuel level • High fuel level • Fuel tank leak • Low pump room temperature • High pump room temperature • AC Failure • H-O-A selector switch in OFF or HAND • Free (field programmable)*

*Except if option C13 is ordered. Tornatech reserves the right to use any of these four alarm points for special specific application requirements

**Applicable to electronic engines only.

*** Applicable to electronic engines only. Alarms when ECM selector switch on the engine is in alternate mode.



Terminals for Field Connections for External Devices	<ul style="list-style-type: none"> • Low fuel level • Remote AUTOMATIC start • Water reservoir low (re-assignable) • Fuel tank leak (re-assignable) • High fuel level (re-assignable) 		
ViZiTouch V2.1 Operator Interface	<ul style="list-style-type: none"> • Embedded microcomputer with software PLC logic • 7.0" color touch screen (HMI technology) • Upgradable software • Multi-language 		
Operation	Selector Switch	<ul style="list-style-type: none"> • Hand-Off-Auto • Behind lockable and breakable cover 	
	Automatic Start	<ul style="list-style-type: none"> • Start on pressure drop • Remote start signal from automatic device 	
	Manual Start	<ul style="list-style-type: none"> • Crank 1 and Crank 2 start pushbuttons • Run test pushbutton 	
	Crank Cycle	<ul style="list-style-type: none"> • 6 consecutive cycle attempts <ul style="list-style-type: none"> • 3 X 15s crank from battery 1 or 2 alternatively • 15s rest in between each crank attempt 	
	Stopping	<ul style="list-style-type: none"> • Manual with Stop pushbutton • Automatic after expiration of minimum run timer **** 	
	Timers	Field Adjustable & Visual Countdown	<ul style="list-style-type: none"> • Minimum run timer ****(off delay) • Sequential start timer (on delay) • Periodic test timer
	Actuation	Visual Indication	<ul style="list-style-type: none"> • Pressure • Non-pressure
	Mode		<ul style="list-style-type: none"> • Automatic • Non-automatic
Communication Protocol Capability	<ul style="list-style-type: none"> • Protocol: Modbus • Connection type: Shielded female connector RJ45 • Frame Format: TCP/IP • Addresses: See bulletin MOD-GPD 		

Alarm and shutdown schedule		Automatic Start	Manual or Remote Start	Run Test or Periodic Test
	High Coolant	Alarm only	Alarm only	Shutdown
	Low Oil Pressure	Alarm only	Alarm only	Shutdown
	Overspeed	Shutdown	Shutdown	Shutdown

	Wall Mount		Floor Mount	
Starting Voltage	Approx. shipping dimensions in inches (mm)	Approx. Shipping Weight in Lbs (kg)	Approx. shipping dimensions in inches (mm)	Approx. Shipping Weight in Lbs (kg)
12V.DC	32" l x 29" w x 16" h (813 x 737 x 407)	85 (39)	32" l x 29" w x 26" h (813 x 737 x 661)	115 (52)
24V.DC				

**** Automatic shutdown shall be approved by the AHJ.



A1	Periodic test alarm contact (DPDT)
A2	Overspeed alarm contact (DPDT)
A3	Low oil pressure alarm contact (DPDT)
A4	High coolant temperature alarm contact (DPDT)
A5	Failure to start alarm contacts alarm contact (DPDT)
A6	Battery 1 & 2 failure alarm contact (2 x DPDT)
A7	Charger 1 & 2 failure alarm contact (2 x DPDT)
A8	AC failure alarm contact (DPDT)
A9	System overpressure alarm contact (For engines with PLD) (DPDT)
A11	Extra controller trouble alarm contact (DPDT)
A12	Extra engine trouble alarm contact (DPDT)
Ax	Additional engine alarm contact (DPDT) (specify function)
B1	Low fuel level alarm contact (DPDT)
B2	Water reservoir level low alarm contact (DPDT)
B3	Water reservoir empty alarm contact (DPDT)
B4	Low pump room temperature alarm contact (DPDT)
B5	High fuel level alarm contact (DPDT)
B6	Low system (discharge) pressure alarm contact (DPDT)
B7	Low suction pressure alarm contact (DPDT)
B8	Pump on demand alarm contact (DPDT)
B9	Fuel tank leak alarm contact (DPDT)
B10	Main relief valve open alarm contact (DPDT)
B11	Flow meter loop valve open alarm contact (DPDT)
B12	Water reservoir level high alarm contact (DPDT)
B13	High pump room temperature alarm contact (DPDT)
Bx	Additional pump room alarm contact (DPDT) (specify function)
C5	CE Mark with factory certificate
C6	Nickel – cadmium battery chargers (Battery data sheet required)
C7	Engine block heater circuit - 3KW max (same voltage as battery charger primary)

C7A	Engine block heater circuit - 6KW max (same voltage as battery charger primary) Confirm power rating of block heater
C9	Non pressure actuated controller w/o pressure transducer and run test solenoid valve
C13	Louver activation circuit (battery power specific)
C14	Delayed automatic start on AC power failure (factory set at 15 minutes)
C15	Low zone pump control function
C16	Middle zone pump control function
C17	High zone pump control function
C19	Lockout/interlock circuit from equipment installed inside the pump room
D4	Pressure transducer and run test solenoid valve for fresh water rated for 0-500psi (for factory calibration purposes only)
D6	Pressure transducer and run test solenoid valve for sea water rated for 0-500PSI
D7A	Low fuel level float switch supplied as separate item (1-1/4")
D7B	Low fuel level float switch supplied as separate item (1-1/2")
D8A	High fuel level float switch supplied as separate item (1-1/4")
D8B	High fuel level float switch supplied as separate item (1-1/2")
D9A	Anti-condensation heater & thermostat
D9B	Anti-condensation heater & humidistat
D9C	Anti-condensation heater & thermostat & humidistat
D11	Low suction pressure transducer for fresh water rated at 0-300PSI with visual indication and alarm contact
D11A	Low suction pressure transducer for sea water rated at 0-300PSI with visual indication and alarm contact
D12	Tropicalization
D25	Mounting stand
D25A	Mounting stand SST- 304 painted
D25B	Mounting stand SST- 304 brushed finish
D25C	Mounting stand SST- 316 painted
D25D	Mounting stand SST- 316 brushed finish
D26	Combined low and high fuel level float switch (1-1/4")

Note: Options chosen from this page are not electrically represented on the wiring schematics in this submittal package.

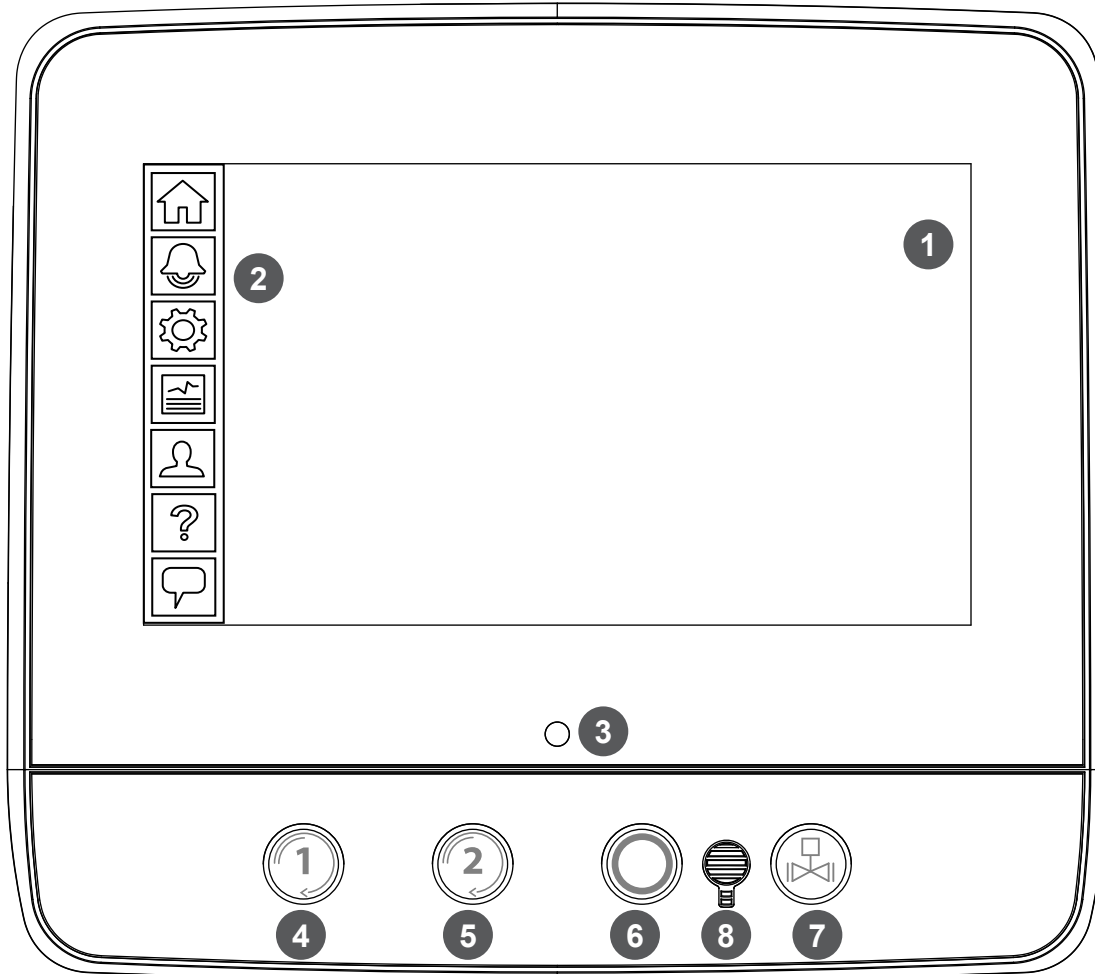


D26A	Combined low and high fuel level float switch (1-1/2")
D27	Fuel level probe (2") Level indication
D28A	Field programmable I/O board - 5 Input / 5 output
D30	Redundant pressure transducer for fresh water rated for 0-500PSI
D31	Redundant pressure transducer for sea water rated for 0-500PSI
D32	Modbus with RTU frame format and RS485 connection
D35	Seismic Certification compliant to CBC 2019, IBC 2018 rigid base/wall mounted only
D38	Special Seismic Certification compliant to OSHPD rigid base/wall mounted only

L01	Other language and English (bilingual)
L02	French
L03	Spanish
L04	German
L05	Italian
L06	Polish
L07	Romanian
L08	Hungarian
L09	Slovak
L10	Croatian
L11	Czech
L12	Portuguese
L13	Dutch
L14	Russian
L15	Turkish
L16	Swedish
L17	Bulgarian
L18	Thai
L19	Indonesian
L20	Slovenian
L21	Danish
L22	Greek
L23	Arabic
L24	Hebrew
L25	Chinese

Additional Options:

Note: Options chosen from this page are not electrically represented on the wiring schematics in this submittal package.

ViZiTouch V2.1 Operator Interface


- | | |
|------------------------|--------------------------|
| 1 - Color touch screen | 3 - Power LED (3 colors) |
| 2 - Onscreen menu | 4 - CRANK 1 button |
| • HOME page | 5 - CRANK 2 button |
| • ALARM page | 6 - STOP button |
| • CONFIGURATION page | 7 - RUN TEST button |
| • HISTORY page | 8 - Alarm buzzer |
| • SERVICE page | |
| • MANUAL page | |
| • LANGUAGES page | |



© Tornatech, Inc. Not for construction.
Subject to change without notice.

	BY	DD/MM/YY
DRAWN BY	ACD	28/02/23
FINAL APPROVAL	FC	28/02/23

DIESEL ENGINE FIRE PUMP CONTROLLER 12VDC OR 24VDC NEGATIVE GROUND

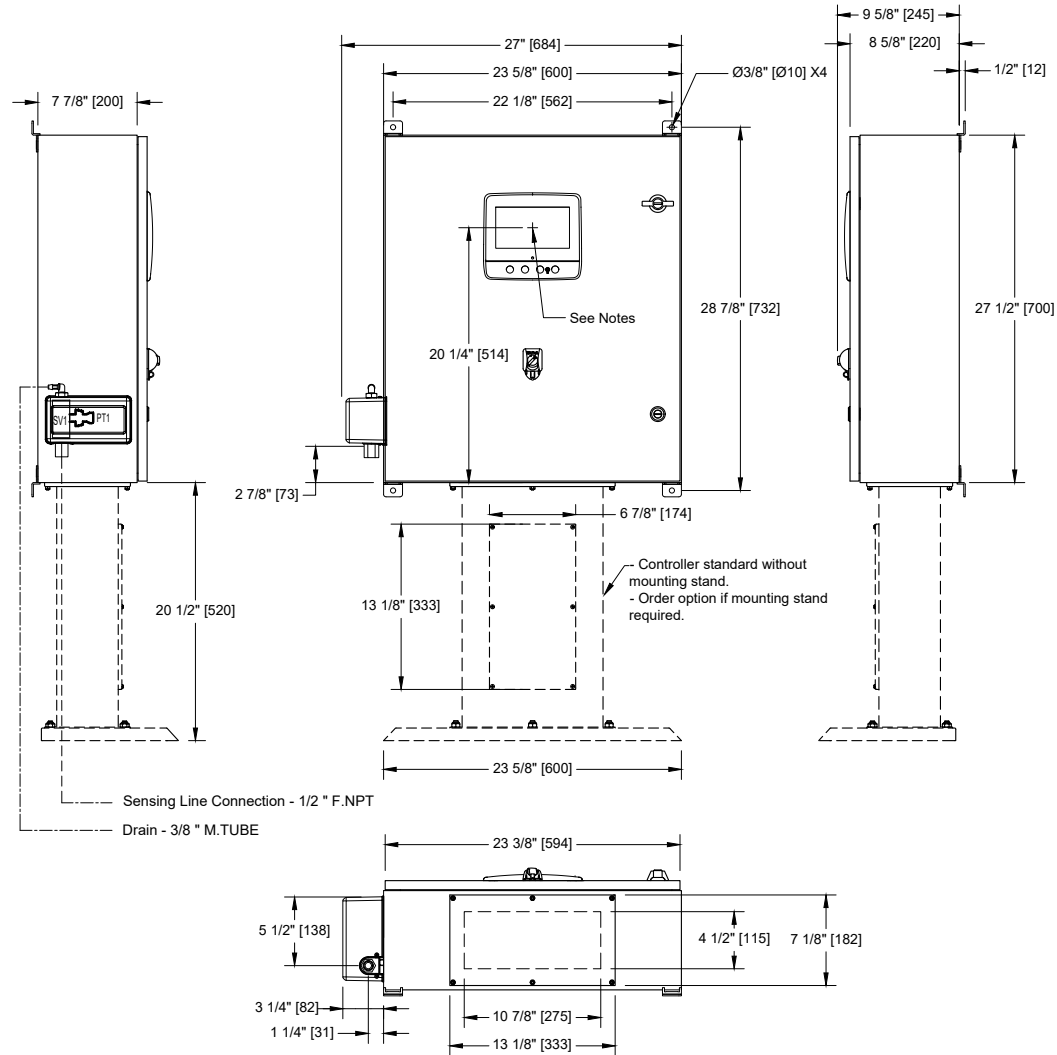
MODEL: GPD

BUILT TO THE LATEST EDITION OF THE NFPA20 & NFPA70



THIRD ANGLE
PROJECTION

DRAWING NUMBER
GPD-DI800/E
DWG REV. 0
SHEET 1 OF 1



- Notes:**
- Standard: NEMA 2
 - Standard paint : textured red RAL 3002.
 - All dimensions are in inches [millimeters].
 - Center of screen: 20-1/4" [514] from bottom (no feet).
 - Bottom conduit entrance through removable gland plate recommended.
 - Use watertight conduit and connector only.
 - Protect equipment against drilling chips.
 - Door swing equal to door width.



© Tornatech, Inc. Not for construction.
Subject to change without notice.

	BY	DD/MM/YY
DRAWN BY	ACD	28/02/23
FINAL APPROVAL	FC	28/02/23

DIESEL ENGINE FIRE PUMP CONTROLLER

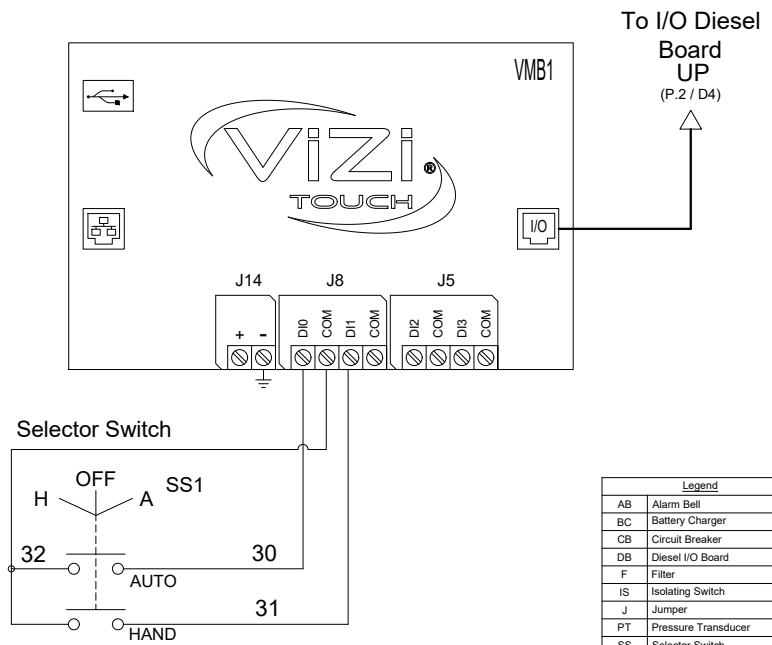
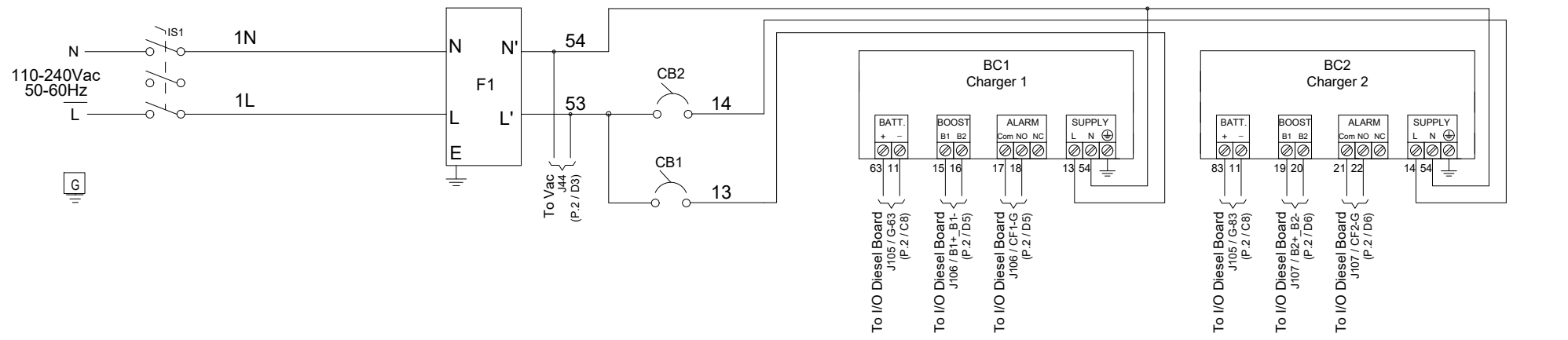
12VDC OR 24VDC NEGATIVE GROUND

MODEL: GPD

BUILT TO THE LATEST EDITION OF THE NFPA20 & NFPA70



DRAWING NUMBER	GPD-WS800/E
DWG REV. 0	
SHEET 1 OF 2	



Legend	
AB	Alarm Bell
BC	Battery Charger
CB	Circuit Breaker
DB	Diesel I/O Board
F	Filter
IS	Isolating Switch
J	Jumper
PT	Pressure Transducer
SS	Selector Switch
SV	Solenoid Valve
VMB	Main Board



© Tornatech, Inc. Not for construction.
Subject to change without notice.

BY DD/MM/YY	
DRAWN BY	ACD 28/02/23
FINAL APPROVAL	FC 28/02/23

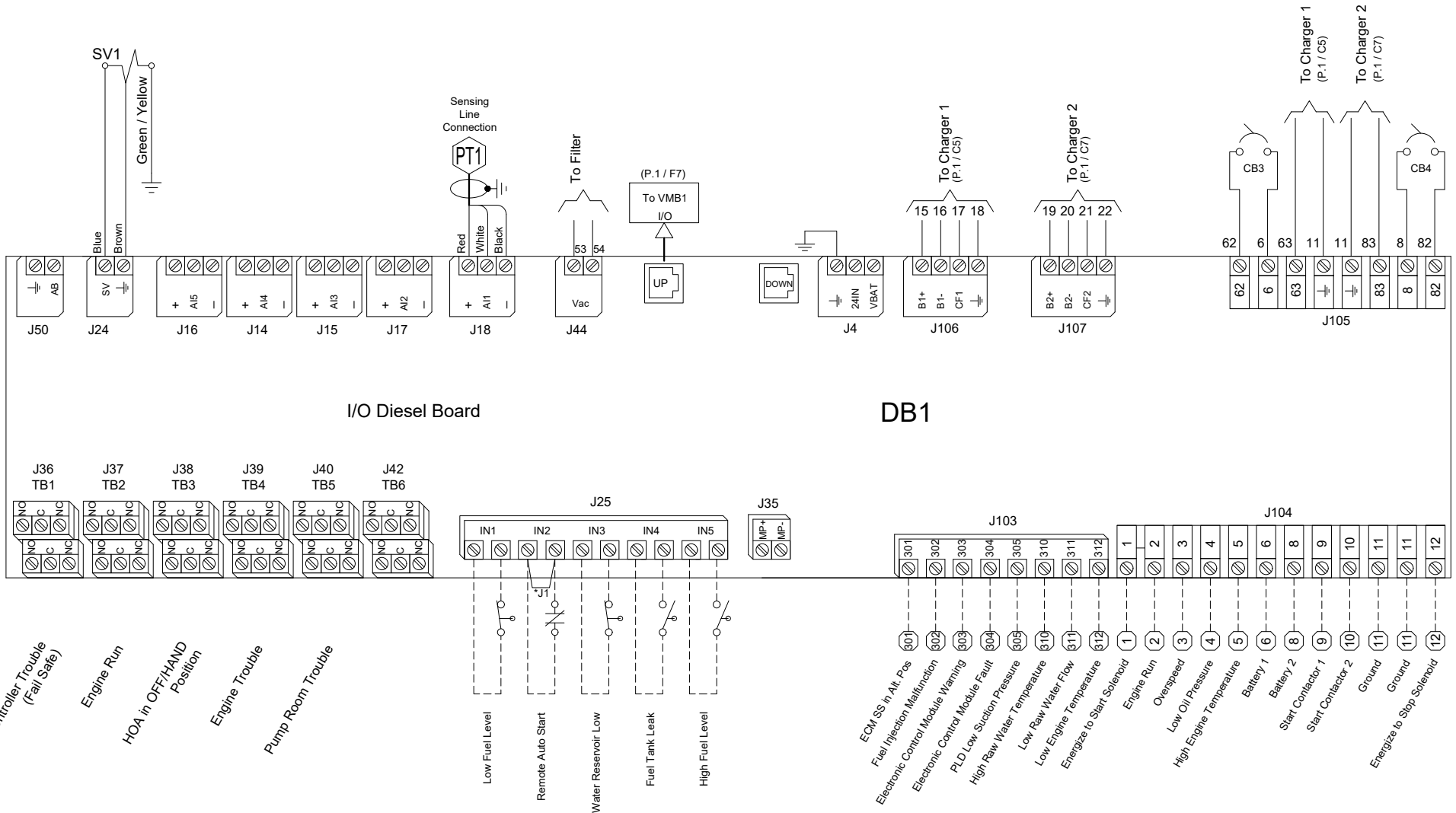
DIESEL ENGINE FIRE PUMP CONTROLLER 12VDC OR 24VDC NEGATIVE GROUND

MODEL: GPD

BUILT TO THE LATEST EDITION OF THE NFPA20 & NFPA70



DRAWING NUMBER	GPD-WS800/E
DWG REV. 0	
SHEET 2 OF 2	



* Remove this jumper to use this feature



© Tornatech, Inc. Not for construction.
Subject to change without notice.

	BY	DD/MM/YY
DRAWN BY	ACD	28/02/23
FINAL APPROVAL	FC	28/02/23

DIESEL ENGINE FIRE PUMP CONTROLLER 12VDC OR 24VDC NEGATIVE GROUND

MODEL: GPD

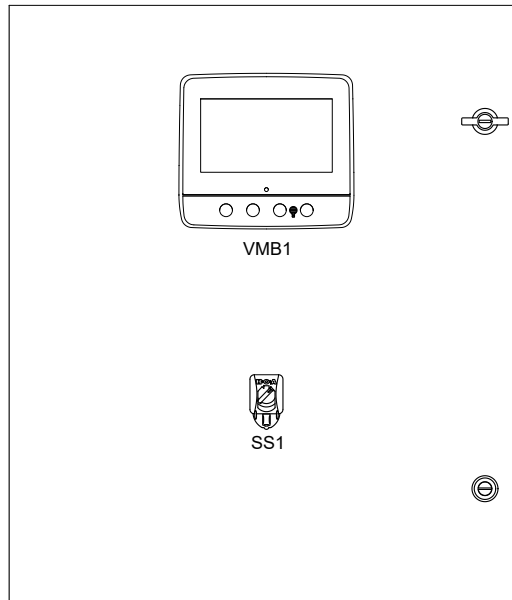
BUILT TO THE LATEST EDITION OF THE NFPA20 & NFPA70



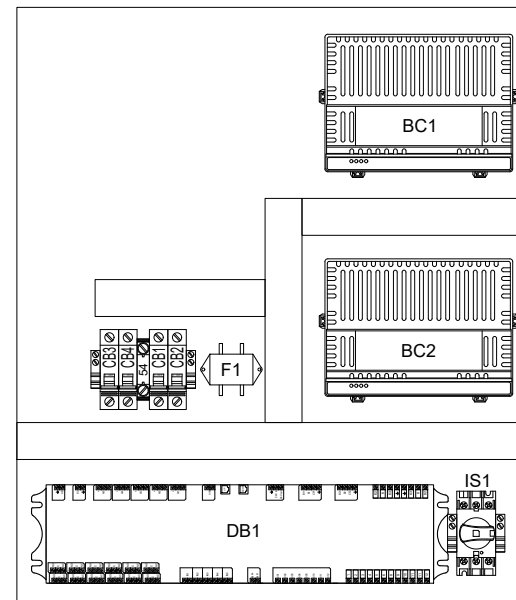
THIRD ANGLE
PROJECTION

DRAWING NUMBER	GPD-LY800/E
DWG REV. 0	
SHEET 1 OF 1	

Designation	Description
BC1-BC2	Battery Charger #1 and #2
CB1-2	Magnetic Breaker 1 Pole 10 A
CB3-4	Magnetic Breaker 1 Pole 16 A
DB1	I/O Diesel Board
F1	Filter
IS1	Isolating Switch
SS1	Lockable 3 Position Selector Switch
VMB1	Main Board



Front Door Layout



Internal Layout



© Tornatech, Inc. Not for construction.
Subject to change without notice.

BY		DD/MM/YY
DRAWN BY	ACD	28/02/23
FINAL APPROVAL	FC	28/02/23

DIESEL ENGINE FIRE PUMP CONTROLLER 12VDC OR 24VDC NEGATIVE GROUND

MODEL: GPD

BUILT TO THE LATEST EDITION OF THE NFPA20 & NFPA70

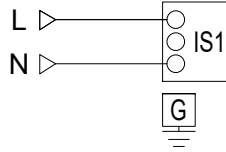


DRAWING NUMBER
GPD-TD800/E
DWG REV. 0
SHEET 1 OF 1

Power Supply

Terminals Wire Size:
14 - 6 AWG
1.8-2 Nm

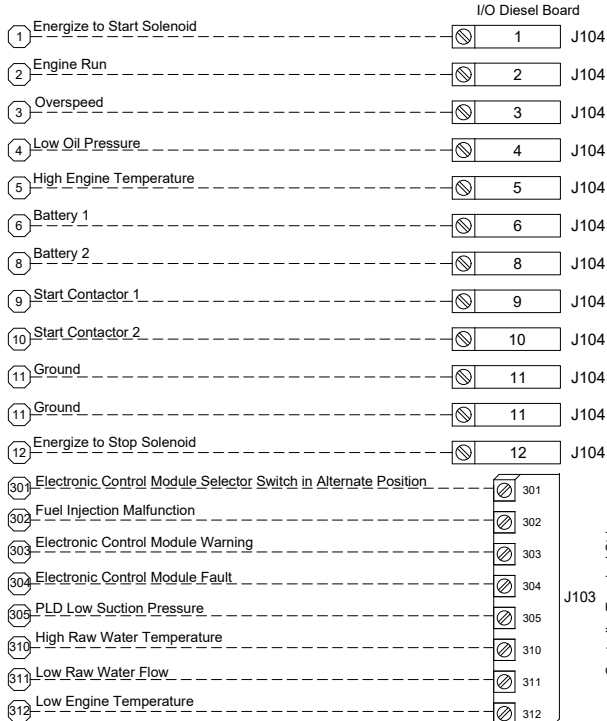
110-240Vac
50-60Hz



Engine Connections

All wiring between the controller and diesel engine shall be stranded (NFPA20)
Wiring between controller and engine (terminals 301, 302, 303, 304, 305, 310, 311, 312, 2, 3, 4, 5) must be #14AWG as minimum.
Wiring between controller and engine (terminals 12 [rated at 10A or 22A for 20 seconds] 1, 9, 10 [rated at 10A]) must be stranded #10AWG as minimum.
Wiring between controller and engine (terminals 6, 8, 11 [rated at 30A]) must be stranded and sized according to distance.

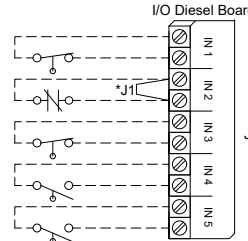
0-5' (0-1.5m) - 12 AWG (4 mm²)
6-10' (1.8-3m) - 10 AWG (6 mm²)
11-15' (3.3-4.5m) - 8 AWG (10 mm²)
16-20' (4.8-6m) - 2x10 AWG (2x6 mm²)
21-32' (6.4-9.75m) - 2x8 AWG (2x10 mm²)



Field Connections

Terminals Wire Size:
24 - 12 AWG
0.5 Nm

- Low Fuel Level
- Remote Auto Start
- Water Reservoir Low
- Fuel Tank Leak
- High Fuel Level



Network Connections

Terminals Wire Size:
Shielded Female Connector RJ45

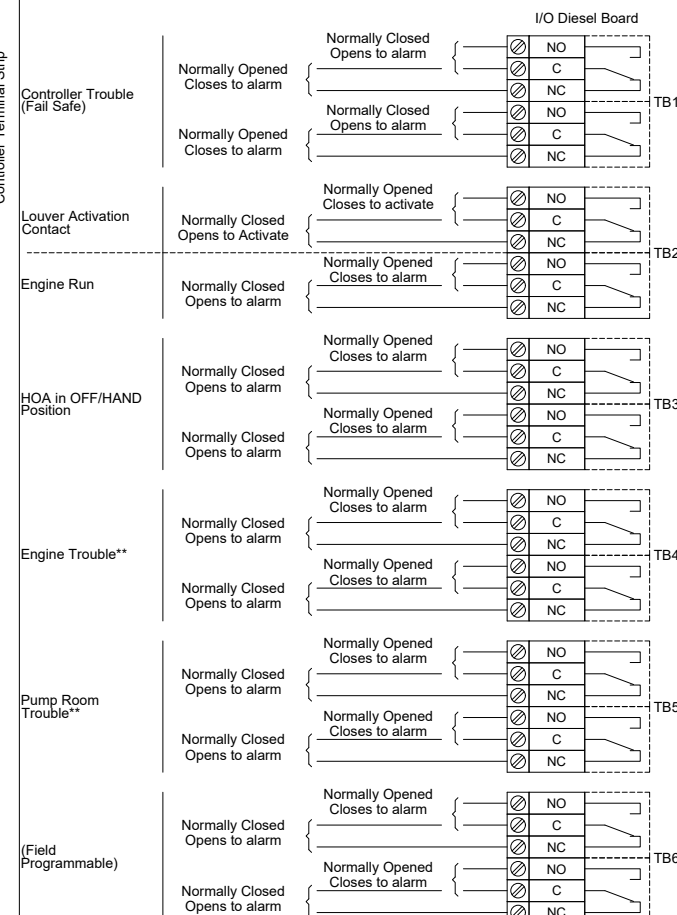
Modbus TCP/IP

Located on Main Board



Alarm Contacts

Terminals Wire Size:
24 - 12 AWG
0.5 Nm



* Remove this jumper to use this feature

** Re-assignable



© Tornatech, Inc. Not for construction.
Subject to change without notice.

	BY	DD/MM/YY
DRAWN BY	ACD	28/02/23
FINAL APPROVAL	FC	28/02/23

DIESEL ENGINE FIRE PUMP CONTROLLER 12VDC OR 24VDC NEGATIVE GROUND

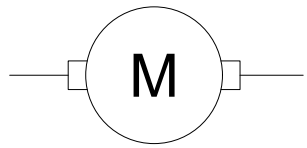
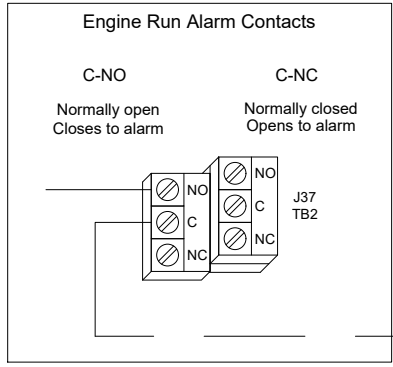
MODEL: GPD

BUILT TO THE LATEST EDITION OF THE NFPA20 & NFPA70

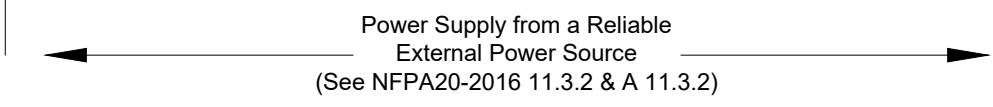



DRAWING NUMBER	GPD-TD801/E
DWG REV.	0
SHEET 1 OF 1	

Located in Controller



Louvers Motor



	Vendor Ref. No.	
	Contractor Ref. No.	
Project Name:	Contractor Job No.	

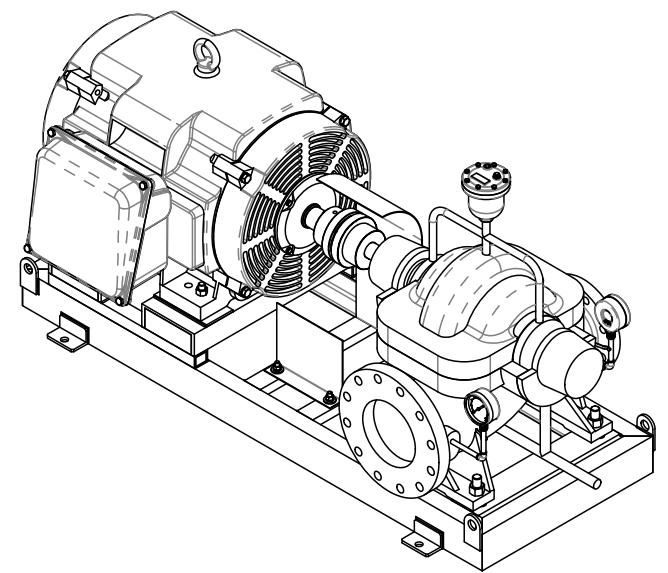
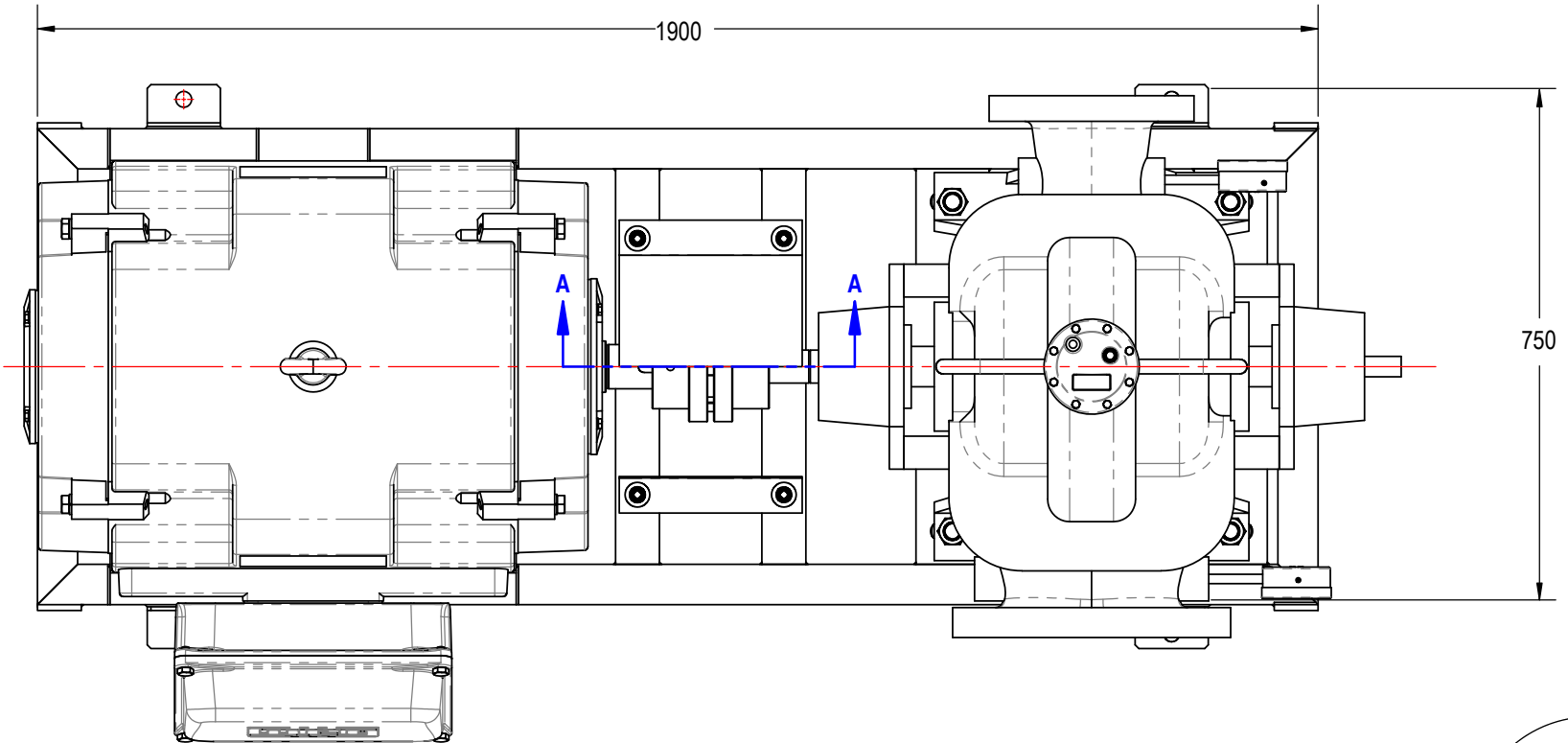
ELECTRIC MOTOR DRIVEN PUMP SPECIFICATIONS

<i>0</i>	<i>SUBMITTED FOR APPROVAL</i>				
Rev	Description	Prepared	Checked	Approved	Date

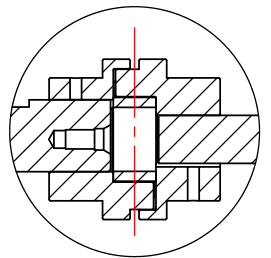
DRAWING NO.

IF IN DOUBT, PLEASE ASK

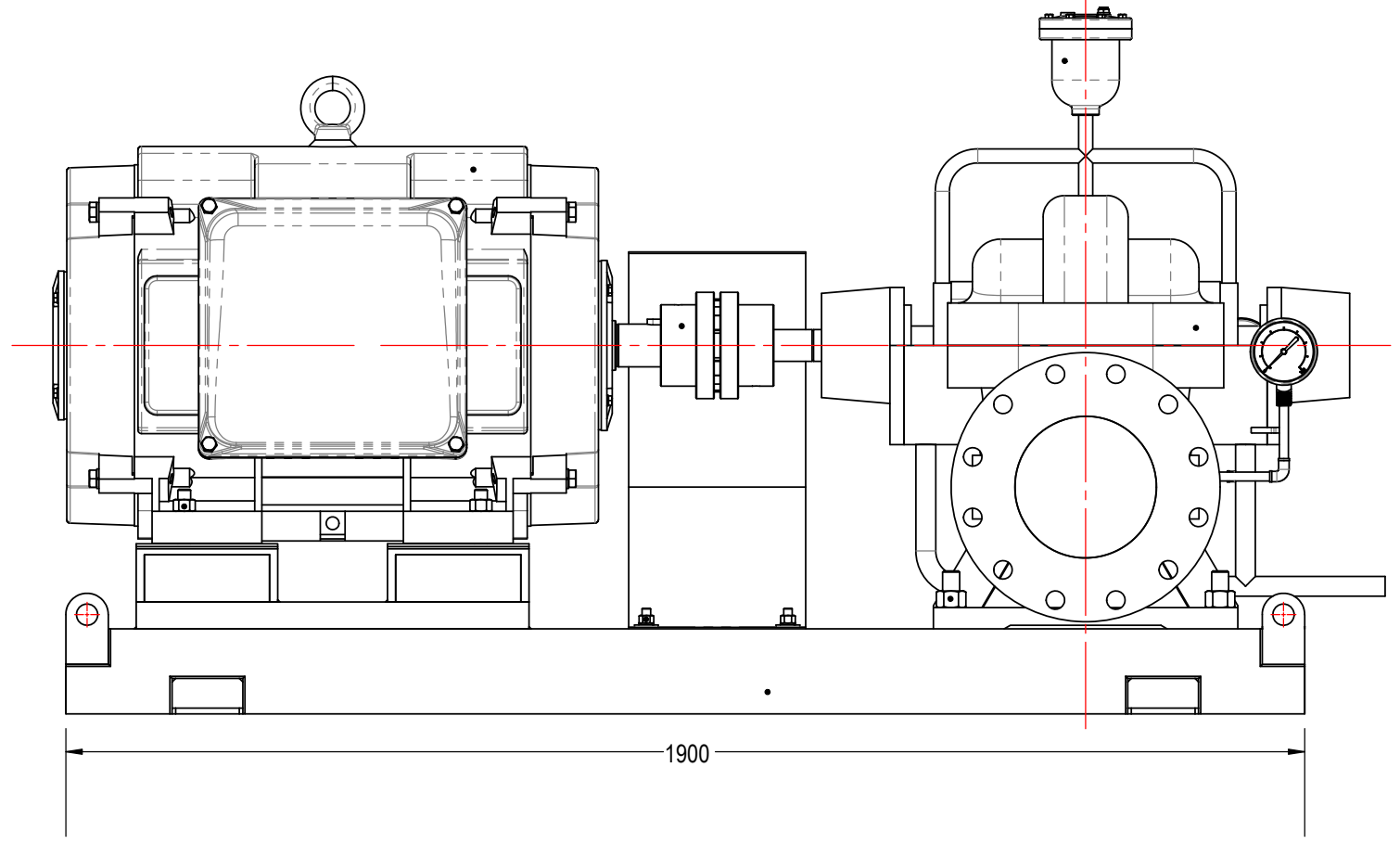
		REVISIONS				
ZONE	LTR.	DESCRIPTION	DATE	BY	CHECKED	APPROVED
-						



ISOMETRIC VIEW
(NOT TO SCALE)



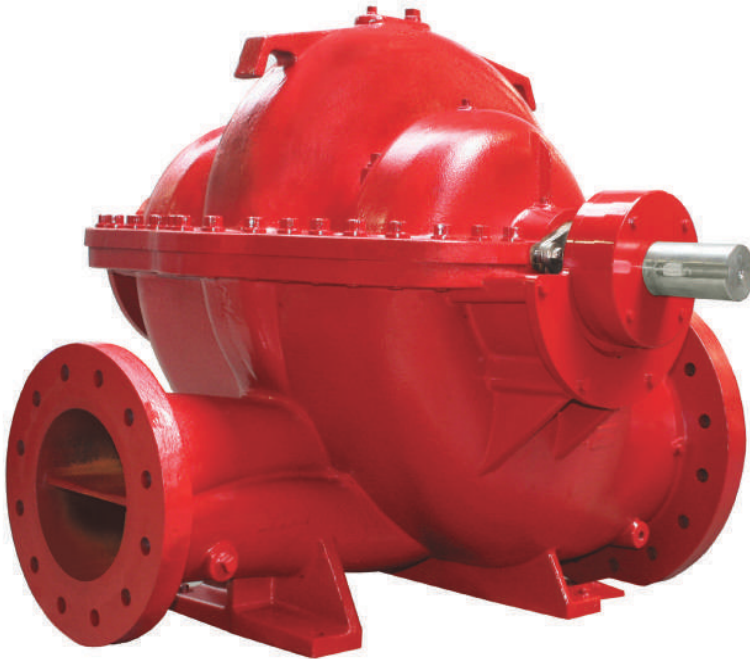
SECTION A-A



<p>UNLESS OTHERWISE SPECIFIED:</p> <ol style="list-style-type: none"> REMOVE ALL BURRS AND SHARP EDGES .25 - .50 FILLETS .50 R MAX CUT OR MACHINED SURFACES TO HAVE 1.6μm DIMENSIONS ARE IN MM. TOLERANCES ARE: DECIMAL ANGLES X ± 0.50 ± 30 XX ± .20 	MENA MECH IND CO		<p>DRAWING NO.</p> <hr/> <p>SHEET: 1 of 1</p>	
	SHARJAH, UAE			
	APPROVALS	DATE		DESCRIPTION:
	DRAWN OA	02/01/24		UL SPLIT - CASE PUMP MSC8-150-250
	CHECKED OA	02/01/24		150HP MOTOR, ODP W/ BASE PLATE ASSY
APPROVED OA	02/01/24	(1500 GPM @ 10 BAR)		
MATERIAL:	CROSS REFERENCE	SCALE:	<p>THE DESIGN AND OTHER INFORMATION CONTAINED IN THIS DRAWING ARE PROPERTY OF MENA MECH IND CO EXCEPT FOR RIGHTS EXPRESSLY GRANTED BY CONTRACT. THIS DRAWING MAY NOT IN WHOLE OR IN PART BE DUPLI-CATED OR USED FOR MANUFACTURE WITHOUT WRITTEN PERMISSION OF MENA MECH IND CO.</p>	
SEE PARTS LIST		DIMENSION:		
WEIGHT :		MM		

SPLIT CASE FIRE PUMP

SPLIT CASE FIRE PUMP



Technical Specifications	
Suction fange	125-400 MM
Discharge fange	75-355MM
Flow	300-8000 GPM
Discharge pressure	82-275PSI

Material Specifications	
Casing	Ductile Iron
Impeller	Bronze or stainless steel
Shaft	40Cr / Stainless Steel
Sealing	Gland packing
Bearing Housing	Rolling bearing
Suction/discharge fanges	ANSI

Pump Naming

MSCx 100-250

Nominal impeller diameter (mm)

Discharge fange DN (mm)

Pump type

Driver Options



Electrical



Diesel

Application Areas



Hydrant



Sprinkler



Overflow



Foam

Risk Class



Ordinary



High

Product Standard

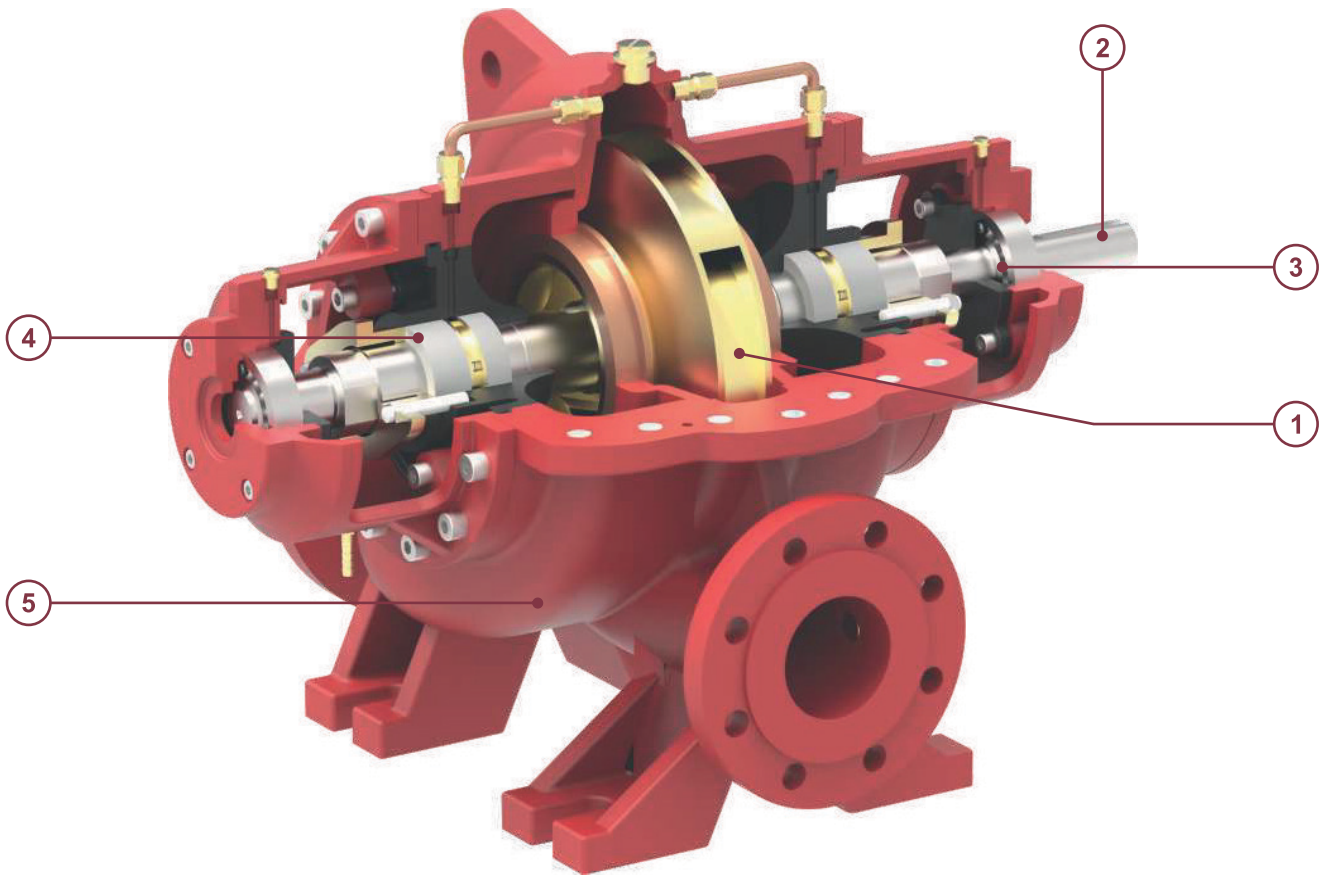
UL 448, NFPA

Product Approvals

Flange Standards

Pump Installing Dimensions are confirming to ISO2858 Standard, and Tested according to with UL 448 -2013

SPLIT CASE FIRE PUMP



SPLIT CASE FIRE PUMP

1 - Impeller & Casing

- Minimal axial thrust due to double-entry impeller.
- Impeller is dynamically balanced to G6.3 balance quality Grade in accordance to ISO 1940-1.
- Impeller & Casing are designed using state of the art CFD tools to ensure optimal performance.

2 - Shaft

- Heavy duty shaft completely sealed and dry of zero corrosion.
- Short and rigid with negligible vibrations.
- Replaceable shaft protecting sleeves.
- No threads exposed to pump medium, long operating life and no corrosion.
- Adjustment-free assembly.

3 - Bearing

- Heavy duty and grease lubricated antifriction Bearings for long service life.
- Open gland, enough space for service activities.

4 - Seal

- Asbestos - free, potable water quality soft packed stuffing boxes.

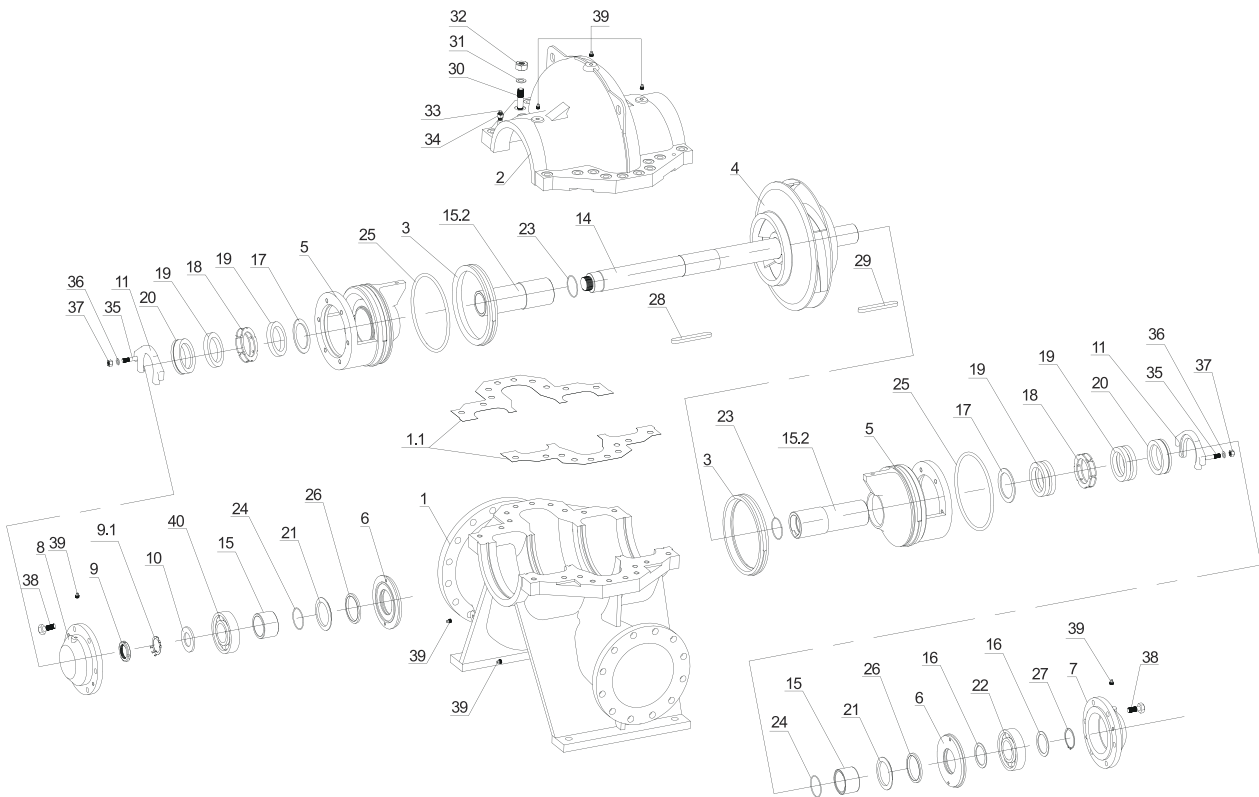
5 - Casing

- In-line axially split design which permits removal of the complete rotor without removing the pipe & motor.
- Short distance between bearings.
- Leak-tight due to compact joint flange with long Pre-stressed bolts.
- Counter-rotation possible with similar parts.
- Easy mounting self-aligning upper casing.
- Flange drilled as per ANSI B16.1 class 250.
- Smooth surface inside CED coated for superior corrosion protection.
- Replaceable wear ring protect the casing and the impeller running clearances.
- Heavy duty casing design for high working pressure.

SPLIT CASE FIRE PUMP

VSP Series - Exploded View & Part list

SPLIT CASE FIRE PUMP

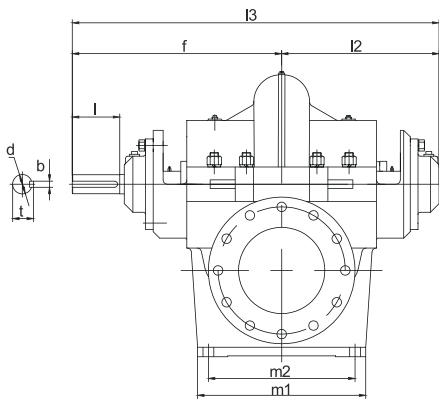
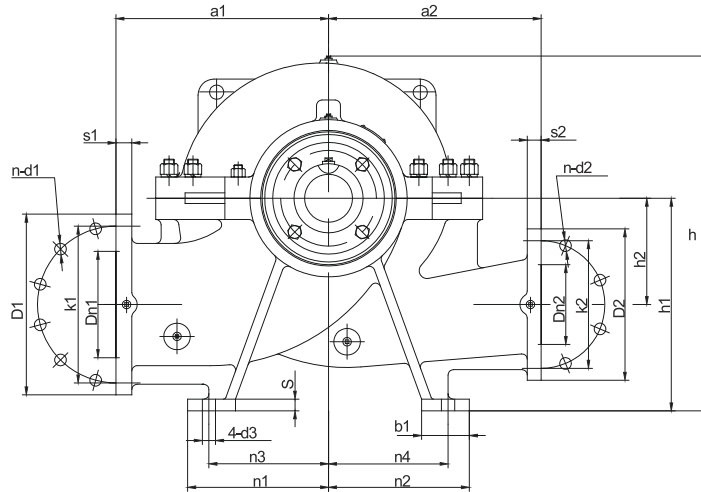


Code	Part Name	Code	Part Name	Code	Part Name
01	Casing-Bottom	15	Shaft Sleeve-Short	28	Key
01.1	Casing Gasket	15.2	Packing Shaft Sleeve	29	Key
02	Casing-Top	16	Bearing Seal Plate	30	Screw Bolt
03	Wear Ring	17	Packing Seal Plate	31	Spring Washer
04	Impeller	18	Lantern Ring	32	Screw Nut
05	Seal Housing	19	Gland	33	Pin
06	Bearing Cover	20	Packing Cover	34	Screw Nut
07	Bearing Housing-Driver End	21	Slinger	35	Screw Bolt
08	Bearing Housing-Non-Driver End	22	Bearing	36	Flat Gasket
09	Screw Nut	23	O-ring	37	Screw Nut
09.1	Lock Washer for Nut	24	O-ring	38	Screw Bolt
10	Bearing Slinger	25	O-ring	39	Plug
11	Seal Plate	26	Felting	40	Bearing
14	Shaft	27	External Circlips		

SPLIT CASE FIRE PUMP

VSP SERIES INSTALLATION DIMENSION

SPLIT CASE FIRE PUMP



ASME16.42-1998 CLASS300,ASME16.42-1998 CLASS250					
DN	80	100	125	150	200
D	209.6	254	279.4	317.5	381
K	168.1	200.2	235	269.7	330.2
n	8	8	8	12	12
d	22.4	22.4	22.4	22.4	25.4

Model	DN1	DN2	a1	a2	f	l2	l3	h	h1	h2	m1	m2	n1	n2	n3	n4	b1	d3	s	d	b	l	t	Weight (kg)
VSP 100-250	150	100	342	339	385	320	705	300	355	170	320	270	235	235	200	200	80	φ25	22	φ34	10	80	37.3	230
685								605																283
620								42.3																270
VSP 125-290	200	125	382	380	485	390	875	365	400	200	390	340	265	265	225	225	90	φ25	22	φ44	12	110	47.3	322
850								665																342
VSP 125-365		665	342																					
VSP 150-290		150	412	412				390		875														660
VSP 150-360	150	412	412	390	875	670	200	385																

SPLIT CASE RANGE

UPCOMING SPLIT CASE LISTING RANGE

Rated Capacity (gpm)	Size (in.)	Model Dsg	Rated Net		Max Working Pressure (psi)
			Pressure Range (psi)	Approx Speed (rpm)	
300	5x3	MSC5-80-200	54 - 81	2980	161
300	5x3	MSC5-80-200	78 - 115	3550	200
300	5x3	MSC5-80-250	55 - 87	2350	163
300	5x3	MSC5-80-250	68 - 107	2600	183
300	5x3	MSC5-80-250	83-136	2950	280
300	5x3	MSC5-80-250	120-196	3550	280
300	5x4	MSC5-100-300	98 - 124	2350	206
300	5x4	MSC5-100-300	120 - 153	2600	236
300	5x4	MSC5-100-300	123-195	2980	400
300	5x4	MSC5-100-300	176-279	3550	400
400	5x3	MSC5-80-200	53 - 79	2980	161
400	5x3	MSC5-80-200	76 - 113	3550	200
400	5x3	MSC5-80-250	51 - 84	2350	163
400	5x3	MSC5-80-250	64 - 105	2600	183
400	5x3	MSC5-80-250	82-135	2950	280
400	5x3	MSC5-80-250	120-196	3550	280
400	5x4	MSC5-100-300	94 - 119	2350	206
400	5x4	MSC5-100-300	117 - 149	2600	236
400	5x4	MSC5-100-300	120-189	2980	400
400	5x4	MSC5-100-300	173-274	3550	400
450	5x3	MSC5-80-200	52 - 78	2980	161
450	5x3	MSC5-80-200	75 - 112	3550	200
450	5x3	MSC5-80-250	49 - 83	2350	163
450	5x3	MSC5-80-250	63 - 103	2600	183
450	5x3	MSC5-80-250	80-134	2950	280
450	5x3	MSC5-80-250	119-196	3550	280
450	5x4	MSC5-100-300	93 - 117	2350	206
450	5x4	MSC5-100-300	116 - 146	2600	236
450	5x4	MSC5-100-300	119-187	2980	400
450	5x4	MSC5-100-300	172-272	3550	400
500	5x3	MSC5-80-200	51 - 77	2980	161
500	5x3	MSC5-80-200	74 - 111	3550	200
500	5x3	MSC5-80-250	47 - 80	2350	163
500	5x3	MSC5-80-250	60 - 101	2600	183
500	5x3	MSC5-80-250	79-133	2950	280
500	5x3	MSC5-80-350	184-295	2950	380
500	5x3	MSC5-80-350G	172-257	2980	261
500	5x3	MSC5-80-250	118 - 195	3550	280
500	5x4	MSC5-100-300	90 - 114	2350	206
500	5x4	MSC5-100-300	113 - 143	2600	236
500	5x4	MSC5-100-300	117-184	2980	400
500	5x4	MSC5-100-300	170-269	3550	400
500	6x5	MSC6-125-250	76 - 101	2350	178
500	6x5	MSC6-125-250	92 - 124	2600	201

500	6x5	MSC6-125-250	117-162	2980	310
500	6x5	MSC6-125-250	137-230	3550	310
500	6x5	MSC6-125-310	111 - 128	2350	205
500	6x5	MSC6-125-310	136 - 158	2600	233
500	6x5	MSC6-125-310	137-207	2980	370
500	6x5	MSC6-125-310	196-294	3550	370
500	6x5	MSC6-125-400	208-283	2980	370
500	6x5	MSC6-125-250S	130-185	3550	290
750	5x3	MSC5-80-200	68	2980	161
750	5x3	MSC5-80-200	66 - 103	3550	200
750	5x3	MSC5-80-250	108 - 120	2950	280
500	5x3	MSC5-80-350	112 - 184	2350	266
500	5x3	MSC5-80-350	140 - 227	2600	308
500	5x3	MSC5-80-350	269 - 308	3550	388
750	5x3	MSC5-80-350	131 - 172	2350	266
750	5x3	MSC5-80-350	145 - 217	2600	308
750	5x3	MSC5-80-350	167-286	2950	380
750	5x3	MSC5-80-350	254 - 292	3550	388
750	5x3	MSC5-80-350G	169-251	2980	261
750	5x3	MSC5-80-250	105-185	3550	280
750	6x4	MSC6-100 -320	138-198	2980	202
750	5x4	MSC5-100-300	104-163	2980	400
750	5x4	MSC5-100-300	157-247	3550	400
750	6x5	MSC6-125-250	71 - 97	2350	178
750	6x5	MSC6-125-250	89 - 121	2600	201
750	6x5	MSC6-125-250	114-160	2980	310
750	6x5	MSC6-125-250	138-230	3550	310
750	6x5	MSC6-125-310	105 - 123	2350	205
750	6x5	MSC6-125-310	130 - 153	2600	233
750	6x5	MSC6-125-310	132-203	2980	370
750	6x5	MSC6-125-310	191-291	3550	370
750	6x5	MSC6-125-400	203-277	2980	370
750	8x6	MSC8-150-330	40 - 77	1760	310
750	8x6	MSC8-150-420	272-367	2950	460
1000	5x3	MSC5-80-350	220-270	2950	380
1000	6x4	MSC6-100 -320	130-191	2980	202
1000	8x6	MSC8-150-310	58 - 147	2350	229
1000	8x6	MSC8-150-310	73 - 181	2600	263
1000	8x6	MSC8-150-310	119-237	2980	350
1000	8x6	MSC8-150-310	175-286	3550	370
1000	6x5	MSC8-125-200	79-145	3550	246
1000	6x5	MSC6-125-250	103-151	2980	310
1000	6x5	MSC6-125-310	121-192	2980	370
1000	6x5	MSC6-125-400	192-265	2980	370
1000	6x5	MSC6-125-250	130-225	3550	310
1000	6x5	MSC6-125-310	182-283	3550	370
1000	8x6	MSC8-150-330	40-74	1760	310
1000	8x6	MSC8-150-420	260-359	2950	460
1250	8x5	MSC8-125-300	116-190	2980	187
1250	8x5	MSC8-125-380	118-177	2200	261
1250	8x6	MSC8-150-310	76 - 141	2350	229
1250	8x6	MSC8-150-310	96 - 177	2600	263
1250	8x6	MSC8-150-310	112-230	2980	350
1250	8x6	MSC8-150-310	168-281	3550	370
1250	8x6	MSC8-150-250	83-149	2950	330


LISTING RANGE

SPLIT CASE RANGE

1250	8x6	MSC8-150-250	133-225	3550	330
1250	8x6	MSC8-150-330	76 - 135	2350	229
1250	8x6	MSC8-150-330	95 - 167	2600	263
1250	8x6	MSC8-150-375	70 - 131	1760	270
1250	8x6	MSC8-150-375	106 - 188	2100	270
1250	8x6	MSC8-150-400	85 - 126	1760	270
1250	8x6	MSC8-150-420	241-346	2950	460
1500	8x6	MSC8-150-640	124-220	1480	300
1500	8x6	MSC8-150-460	115-181	1800	275
1500	8x6	MSC8-150-375	88 - 128	1760	270
1500	8x6	MSC8-150-375	100 - 187	2100	270
1500	8x6	MSC8-150-310	109-221	2980	350
1500	8x6	MSC8-150-310	158-269	3550	370
1500	8x6	MSC8-150-330	71 - 131	2350	229
1500	8x6	MSC8-150-330	90 - 163	2600	263
1500	8x6	MSC8-150-250	122-216	3550	330
1500	8x6	MSC8-150-480	120-171	1760	275
1500	8x6	MSC8-150-400	82 - 124	1760	270
1500	8x6	MSC8-150-400	121-181	2100	275
2000	8x6	MSC8-150-400	94 - 115	1760	270
2000	8x6	MSC8-150-640	117-216	1480	300
2000	8x6	MSC8-150-480	109-165	1760	275
2000	8x6	MSC8-150-480GL	122-188	1760	270
2000	8x6	MSC8-150-460	118-175	1800	275
2000	8x6	MSC8-150-400	111-174	2100	275
2000	8x6	MSC8-150-330	107-190	2950	310
2000	10x8	MSC10-200-500	118-186	1800	320
2000	10x8	MSC10-200-500	149-234	2000	320
2000	10x8	MSC10-200-350	123-239	2980	362
2500	8x6	MSC8-150-640	107-206	1480	300
2500	8x6	MSC8-150-480	96-155	1760	275
2500	8x6	MSC8-150-480GL	111-181	1760	270
2500	8x6	MSC8-150-400	160	2100	275
2500	10x8	MSC10-200-350	114-227	2980	362
2500	10x8	MSC10-200-430	138	1800	275
2500	10x8	MSC10-200-450	124-155	1760	333
2500	10x8	MSC10-200-450	165-203	2000	333
2500	10x8	MSC10-200-500	110-176	1800	320
2500	10x8	MSC10-200-500	141-225	2000	320
2500	10x8	MSC10-200-430	125-190	2100	275
3000	8x6	MSC8-150-640	162-194	1480	300
3000	10x8	MSC10-200-450	115-147	1760	333
3000	10x8	MSC10-200-450	158-197	2000	333
3000	12x10	MSC12-250-640	176-249	1480	330
3000	12x10	MSC12-250-500	120-154	1480	330
3000	10x8	MSC10-200-500	121-179	1760	340
3000	10x8	MSC10-200-500	162-238	2000	340

3000	10x8	MSC10-200-430	144-187	2100	275
3000	10x8	MSC10-200-600	114-188	1480	275
3000	10x8	MSC10-200-600	166-246	1760	330
3500	12x10	MSC12-250-640G	196-290	1480	377
3500	12x10	MSC12-250-640	169-242	1480	330
3500	12x10	MSC12-250-500	117-152	1480	330
3500	10x8	MSC10-200-500	136-170	1760	340
3500	10x8	MSC10-200-600	107-184	1480	275
3500	10x8	MSC10-200-600	160-241	1760	330
3500	12x10	MSC12-250-490	119-189	1800	290
3500	10x8	MSC10-200-500	154-229	2000	340
4000	10x8	MSC10-200-600	142-176	1480	275
4000	10x8	MSC10-200-600	152-234	1760	330
4000	12x10	MSC12-250-500	114-148	1480	330
4000	12x10	MSC12-250-640	162-233	1480	330
4000	12x10	MSC12-250-640G	191-288	1480	377
4000	14x10	MSC14-250-640	138-217	1480	300
4000	12x10	MSC12-250-490	114-185	1800	290
4000	12x10	MSC12-250-500	125-225	1800	330
4500	10x8	MSC10-200-600	175-226	1760	330
4500	12x10	MSC12-250-500	109-145	1480	330
4500	12x10	MSC12-250-600	143-207	1450	303
4500	12x10	MSC12-250-640G	184-284	1480	377
4500	14x10	MSC14-250-640	136-216	1480	300
4500	16x14	MSC16-350-640	129-196	1480	315
4500	12x10	MSC12-250-490	153-181	1800	290
4500	12x10	MSC12-250-500	121-222	1800	330
5000	12x10	MSC12-250-600	139-206	1450	303
5000	12x10	MSC12-250-640G	211-277	1480	377
5000	14x10	MSC14-250-640	134-214	1480	300
5000	16x14	MSC16-350-640	127-194	1480	315
5000	12x10	MSC12-250-500	134-218	1800	330
5500	16x12	MSC16-300-750	205-278	1480	370
5500	16x14	MSC16-350-640	124-192	1480	315
6000	14x10	MSC14-250-640	127-209	1480	300
6000	14x10	MSC14-250-640	220-280	1760	370
6000	16x12	MSC16-300-750	204-277	1480	370
6000	16x14	MSC16-350-640	120-190	1480	315
6500	14x10	MSC14-250-640	205	1480	300
6500	14x10	MSC14-250-640	216-276	1760	370
6500	16x12	MSC16-300-750	203-276	1480	370
6500	16x14	MSC16-350-640	116-186	1480	315
7000	14x10	MSC14-250-640	201	1480	300
7000	14x10	MSC14-250-640	211-271	1760	370
7000	16x12	MSC16-300-750	200-274	1480	370
7000	16x14	MSC16-350-640	113-182	1480	315
7500	14x10	MSC14-250-640	195	1480	300
7500	14x10	MSC14-250-640	205-267	1760	370
7500	16x12	MSC16-300-750	197-272	1480	370
7500	16x14	MSC16-350-640	109-179	1480	315
8000	14x10	MSC14-250-640	239-261	1760	370
8000	16x12	MSC16-300-750	223-269	1480	370
8000	16x14	MSC16-350-640	117-192	1540	315

LISTING RANGE

	Vendor Ref. No.	
	Contractor Ref. No.	
Project Name:	Contractor Job No.	

**ELECTRIC PUMP
ELECTRIC MOTOR SPECS**

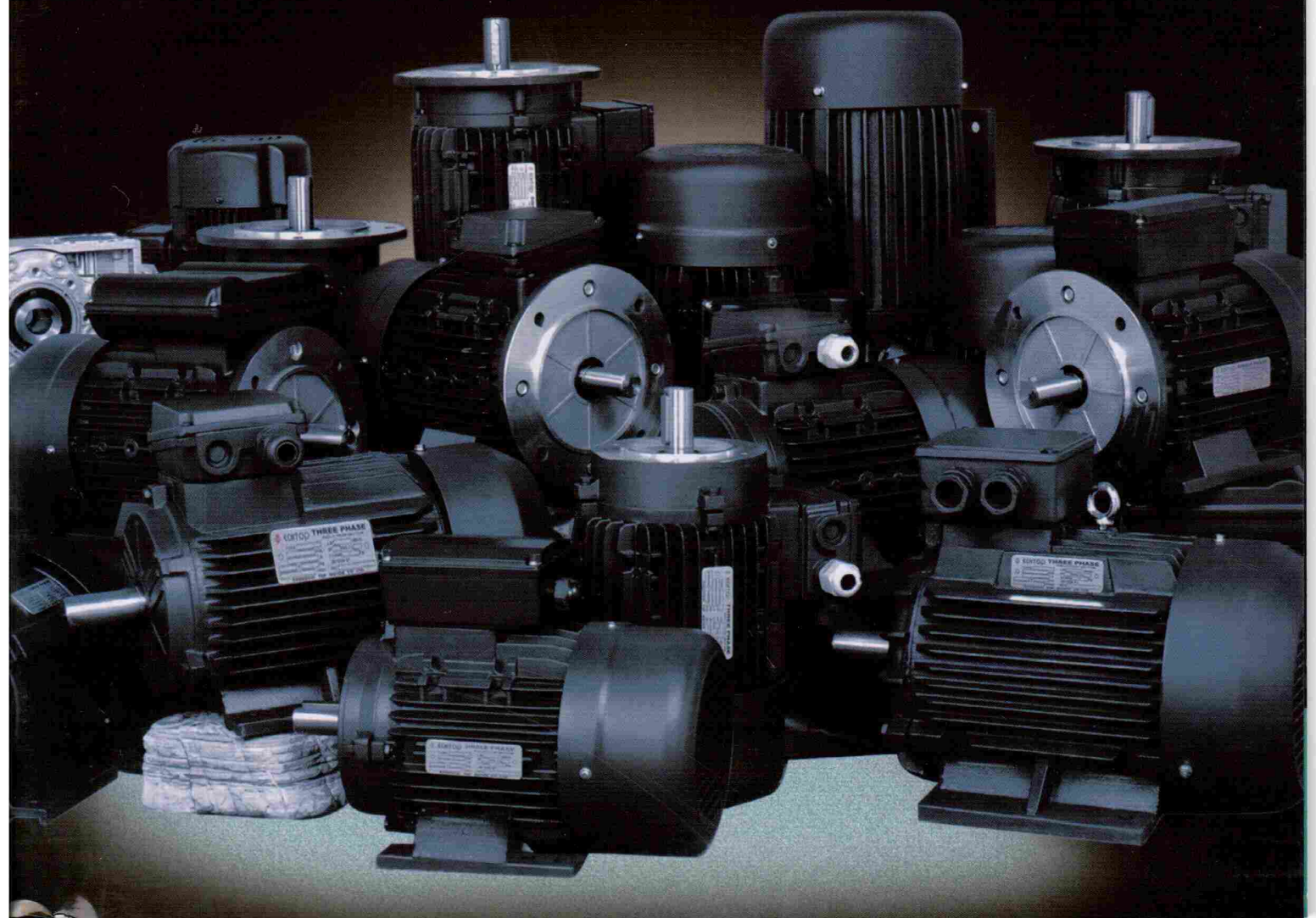
<i>0</i>	<i>SUBMITTED FOR APPROVAL</i>				
Rev	Description	Prepared	Checked	Approved	Date

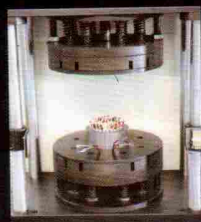
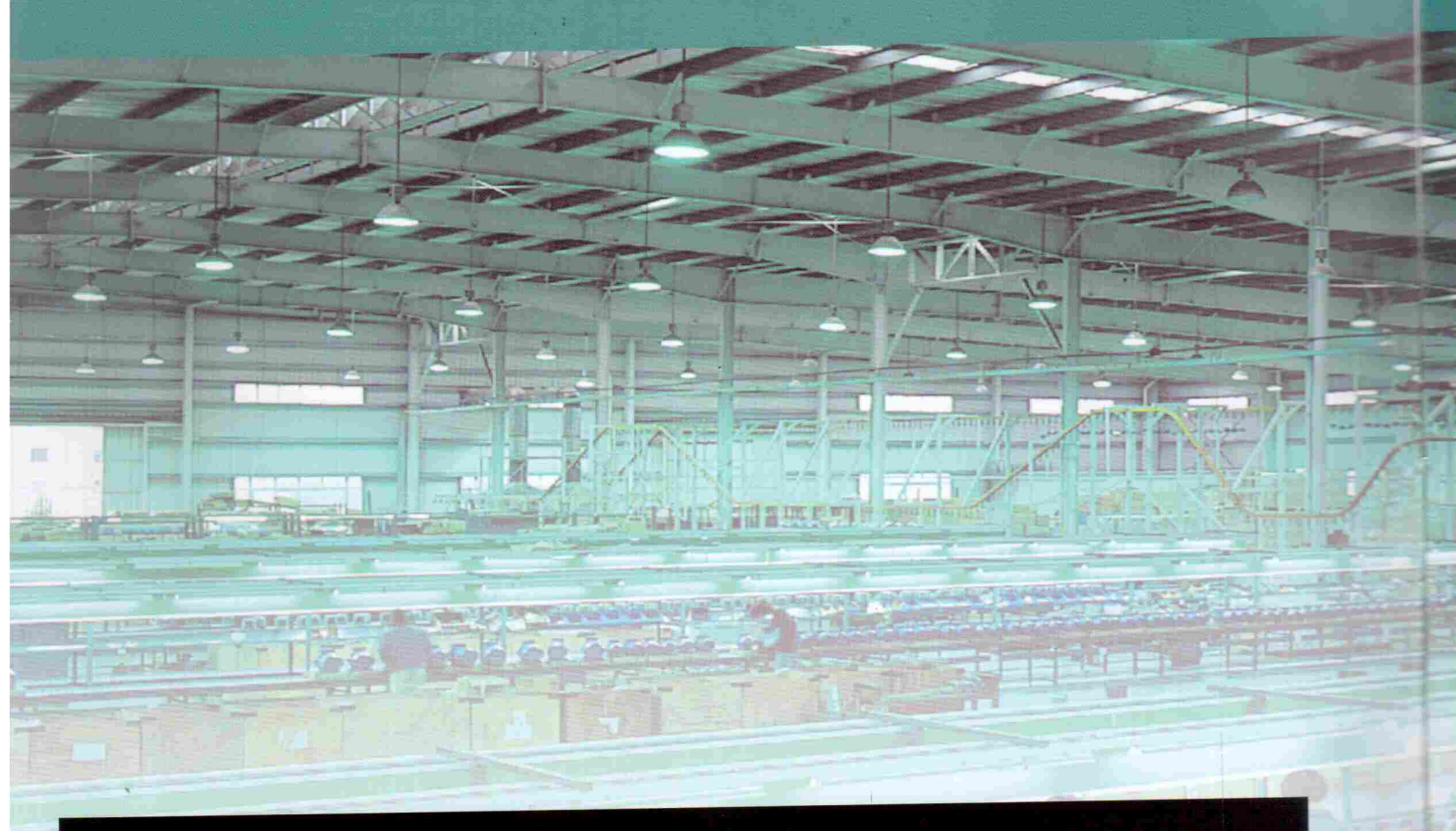
ECHTOP[®] MOTOR

New! Fire Pump Motor Ready

SHANGHAI TOP MOTOR CO.,LTD.

SHANGHAI HALOTOP IMPORT & EXPORT CO., LTD.
GLOBAL POWER ENGINEERING CO. LTD.

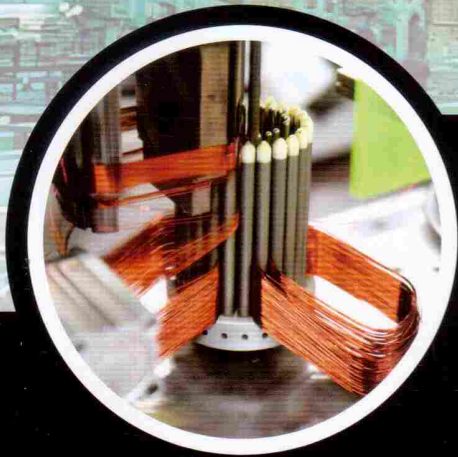




WORKSHOP & TECHNOLOGY

TECHTOP adopts computerized machine tools for metal parts; four cylinder oil hydraulic presses for stator stacking; vacuum high-pressure varnishing units for stator varnishing; clean-dry and auto-phosphorescing machines for motor housing, end shield, fan cover and other parts; electrostatic spraying-water screen-suspending line complexes for product surface painting.

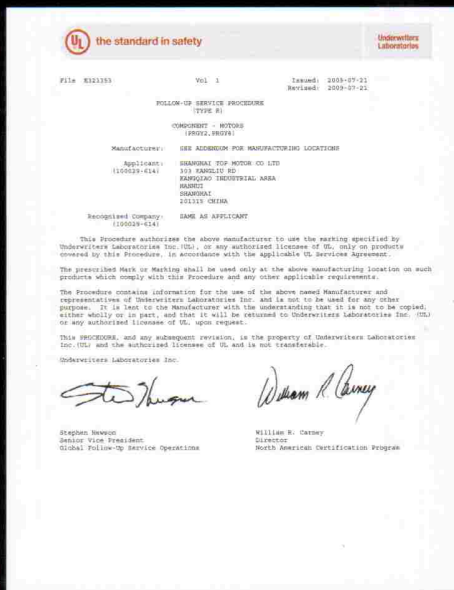
 **TECHTOP**[®]



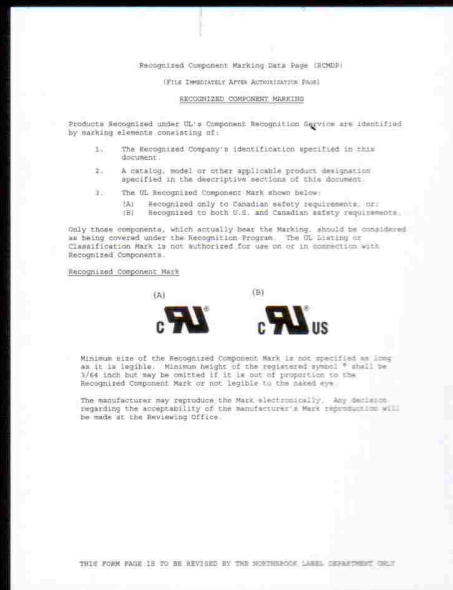
Various Certificates



ISO9001



UL



Various Certificates

CERTIFICATE OF COMPLIANCE

Certificate Number 20150114-EX26635
Report Reference EX26635-20141231
Issue Date 2015-JANUARY-14

Issued to: SHANGHAI TOP MOTOR CO LTD
303 KANGLIU RD, KANGQIAO INDUSTRIAL AREA,
NANHUI, SHANGHAI, 201315 CHINA

This is to certify that representative samples of FIRE PUMP MOTORS
T Series, TXD Series, TDC Series, TXA Series, TXD
Series: See Addendum Page below for Models

Have been investigated by UL in accordance with the
Standard(s) indicated on this Certificate.

Standard(s) for Safety: UL 1004-1, Rotating Electrical Machines - General
Requirements; UL 1004-5, Fire Pump Motors

Additional Information: See the UL Online Certifications Directory at
www.ul.com/database for additional information

Only those products bearing the UL Certification Mark should be considered as being covered by UL's
Certification and Follow-Up Service.

Look for the UL Certification Mark on the product.


UL LLC
300 North Dearborn Street, Chicago, Illinois 60610-3203

Any information or documentation regarding UL Mark services is published on behalf of UL LLC (UL) or any authorized licensee of UL. For questions, please
contact your local UL Customer Service Representative at 1-800-368-5868.

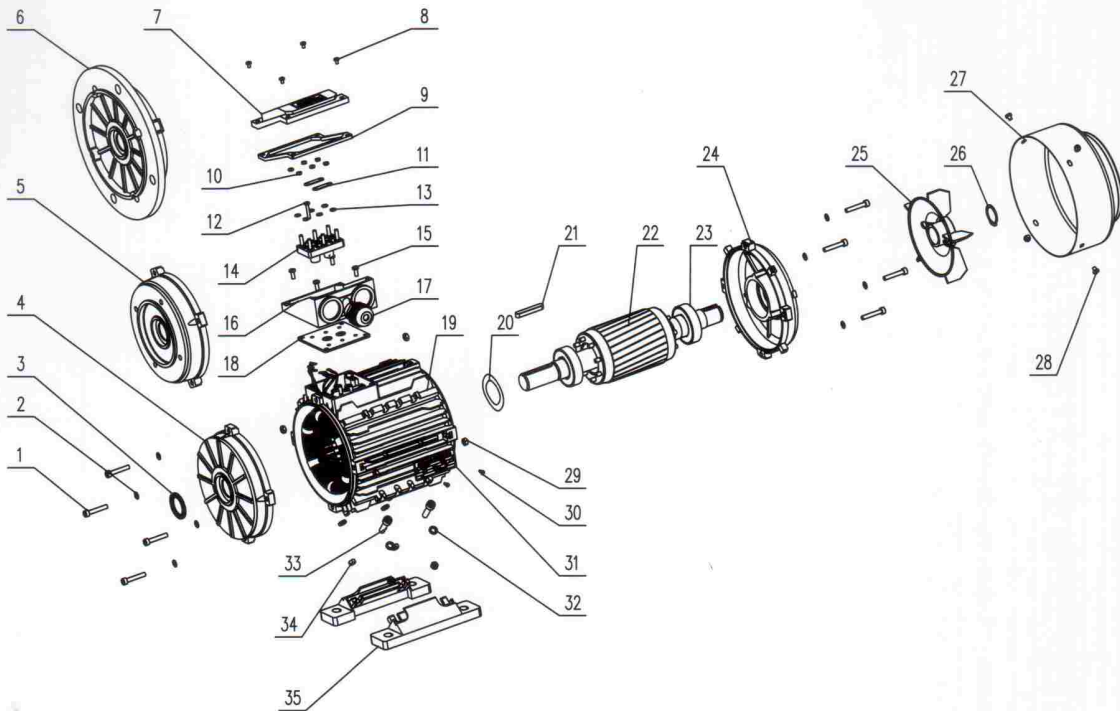
Page 1 of 3



UL

www.techtop.com

Motor Spare Part List "Exploded Drawing"



- | | | |
|------------------------------|---------------------|----------------------------|
| 1.screw | 13.Terminal shim | 25.Cooling fan |
| 2.Gasket | 14.Terminal board | 26.Fan circlip |
| 3.V-ring | 15.TB fixing screws | 27.Fan cover |
| 4.Front endshield | 16.TB base | 28.Fan cover fixing screws |
| 5.B14 flange | 17.Cable gland | 29.Endshield fixing nut |
| 6.B5 flange | 18.TB bottomgasket | 30.Rivet |
| 7.TB cover | 19.Frame | 31.Rivet |
| 8.TB fixing screws | 20.Preload washer | 32.Foot fixing gasket |
| 9.TB upper gasket | 21.Key | 33.Foot fixing screws |
| 10.Terminal board fixing nut | 22.Rotor | 34.Foot fixing nut |
| 11.Terminal bridge | 23.Bearing | 35.Foot |
| 12.Terminal pin | 24.NDE endshield | |



Serie Fire Pump Motors' Main Performance Parameters (IEC)

Serial NO.	Model NO.	Volts	Output (KW)	Output (HP)	Hz /DC	Locked current A(standard) 400V	Locked torque multiple (standard)	Maximum torque multiple (standard)	Minimum torque multiple (standard)	INS class	RPM	The test environment temperature
1	T 801-2	380-415V	0.75	1.0	50	19.0	175	250	120	F	2848	50°C
2	T 802-2	380-415V	1.1	1.5	50	25.7	175	250	120	F	2846	50°C
3	T 803-2	380-415V	1.5	2.0	50	32.3	170	240	120	F	2852	50°C
4	T 90S-2	380-415V	1.5	2.0	50	32.3	170	240	120	F	2852	50°C
5	T 90L1-2	380-415V	2.2	3.0	50	40.9	160	230	110	F	2845	50°C
6	T 90L2-2	380-415V	3	4.0	50	49.4	155	220	105	F	2851	50°C
7	T 100L-2	380-415V	3	4.0	50	49.4	155	220	105	F	2851	50°C
8	T 100L2-2	380-415V	4	5.5	50	61.8	145	215	105	F	2910	50°C
9	T 112M-2	380-415V	4	5.5	50	61.8	145	215	105	F	2910	50°C
10	T 112L-2	380-415V	5.5	7.5	50	79.8	140	200	100	F	2905	50°C
11	T 132S1-2	380-415V	5.5	7.5	50	79.8	140	200	100	F	2905	50°C
12	T 132S2-2	380-415V	7.5	10.0	50	101.7	135	200	100	F	2910	50°C
13	T 132M1-2	380-415V	9.2	12.0	50	118.8	130	200	100	F	2910	50°C
14	T 132M2-2	380-415V	11	15.0	50	146.3	130	200	100	F	2920	50°C
15	T 160M1-2	380-415V	11	15.0	50	146.3	130	200	100	F	2920	50°C
16	T 160M2-2	380-415V	15	20.0	50	184.3	130	200	100	F	2918	50°C
17	T 160L-2	380-415V	18.5	25.0	50	230.9	130	200	100	F	2922	50°C
18	T 180M-2	380-415V	22	30.0	50	274.6	130	200	100	F	2930	50°C
19	T 200L1-2	380-415V	30	40.0	50	367.7	125	200	100	F	2925	50°C
20	T 200L2-2	380-415V	37	50.0	50	457.9	120	200	100	F	2930	50°C
21	T 225M-2	380-415V	45	60.0	50	549.1	120	200	100	F	2930	50°C
22	T 250M-2	380-415V	55	75.0	50	685.9	105	200	95	F	2940	50°C
23	T 280S-2	380-415V	75	100.0	50	916.8	105	200	95	F	2940	50°C
24	T 280M-2	380-415V	90	125.0	50	1146.7	100	200	90	F	2940	50°C
25	T 315S-2	380-415V	110	150.0	50	1369.0	100	200	90	F	2940	50°C
26	T 315M-2	380-415V	132	175.0	50	1599.8	100	200	90	F	2940	50°C
27	T 315L1 -2	380-415V	160	215.0	50	1900.0	90	175	65	F	2945	50°C
28	T 315L2 -2	380-415V	200	270.0	50	2636.3	70	175	65	F	2945	50°C
29	T 355M-2	380-415V	250	330.0	50	3125.5	70	175	65	F	2945	50°C
30	T 355L-2	380-415V	315	420.0	50	4075.5	70	175	65	F	2945	50°C
31	T 802-4	380-415V	0.75	1.0	50	19.0	275	300	190	F	1420	50°C
32	T 803-4	380-415V	1.1	1.5	50	25.7	250	280	175	F	1425	50°C
33	T 90S-4	380-415V	1.1	1.5	50	25.7	250	280	175	F	1425	50°C
34	T 90L-4	380-415V	1.5	2.0	50	32.3	235	270	165	F	1420	50°C
35	T 90L2-4	380-415V	2.2	3.0	50	40.9	215	250	150	F	1430	50°C
36	T 100L1-4	380-415V	2.2	3.0	50	40.9	215	250	150	F	1430	50°C
37	T 100L2-4	380-415V	3	4.0	50	49.4	200	230	140	F	1430	50°C
38	T 100L3-4	380-415V	4	5.5	50	61.8	180	225	130	F	1435	50°C
39	T 112M-4	380-415V	4	5.5	50	61.8	180	225	130	F	1435	50°C
40	T 112L-4	380-415V	5.5	7.5	50	79.8	175	215	120	F	1430	50°C
41	T 132S-4	380-415V	5.5	7.5	50	79.8	175	215	120	F	1430	50°C
42	T 132M-4	380-415V	7.5	10.0	50	101.7	165	200	115	F	1430	50°C
43	T 132L1-4	380-415V	9.2	12.0	50	118.8	160	200	115	F	1430	50°C
44	T 132L2-4	380-415V	11	15.0	50	146.3	160	200	110	F	1440	50°C
45	T 160M-4	380-415V	11	15.0	50	146.3	160	200	110	F	1440	50°C
46	T 160L-4	380-415V	15	20.0	50	184.3	150	200	105	F	1445	50°C
47	T 180M-4	380-415V	18.5	25.0	50	230.9	150	200	105	F	1445	50°C
48	T 180L-4	380-415V	22	30.0	50	274.6	150	200	105	F	1460	50°C
49	T 200L-4	380-415V	30	40.0	50	367.7	140	200	100	F	1460	50°C
50	T 225S-4	380-415V	37	50.0	50	457.9	140	200	100	F	1470	50°C



Serie Fire Pump Motors' Main Performance Parameters (IEC)

Serial NO.	Model NO.	Volts	Output (KW)	Output (HP)	Hz /DC	Locked current A(standard) 400V	Locked torque multiple (standard)	Maximum torque multiple (standard)	Minimum torque multiple (standard)	INS class	RPM	The test environment temperature
51	T 225M-4	380-415V	45	60.0	50	549.1	140	200	100	F	1480	50°C
52	T 250M-4	380-415V	55	75.0	50	685.9	140	200	100	F	1480	50°C
53	T 280S-4	380-415V	75	100.0	50	916.8	125	200	100	F	1480	50°C
54	T 280M-4	380-415V	90	125.0	50	1146.7	110	200	100	F	1480	50°C
55	T 315S-4	380-415V	110	150.0	50	1369.0	110	200	100	F	1480	50°C
56	T 315M-4	380-415V	132	175.0	50	1599.8	100	200	90	F	1480	50°C
57	T 315L1-4	380-415V	160	215.0	50	1900.0	90	175	75	F	1480	50°C
58	T 315L2-4	380-415V	200	270.0	50	2636.3	80	175	75	F	1480	50°C
59	T 355M1-4	380-415V	220	300.0	50	2874.7	80	175	75	F	1480	50°C
60	T 355M2-4	380-415V	250	330.0	50	3125.5	80	175	75	F	1480	50°C
61	T 355L1-4	380-415V	280	375.0	50	3604.3	80	175	75	F	1480	50°C
62	T 355L2-4	380-415V	315	420.0	50	4075.5	80	175	75	F	1480	50°C
63	T 355L3-4	380-415V	355	475.0	50	4563.8	80	175	75	F	1480	50°C
64	T 803-6	380-415V	0.75	1.0	50	19.0	170	265	120	F	935	50°C
65	T 90S-6	380-415V	0.75	1.0	50	19.0	170	265	120	F	935	50°C
66	T 90L-6	380-415V	1.1	1.5	50	25.7	165	250	115	F	935	50°C
67	T 100L-6	380-415V	1.5	2.0	50	32.3	160	240	110	F	940	50°C
68	T 112M-6	380-415V	2.2	3.0	50	40.9	155	230	110	F	940	50°C
69	T 112M1-6	380-415V	3	4.0	50	49.4	150	220	105	F	940	50°C
70	T 112M2-6	380-415V	4	5.5	50	61.8	150	215	105	F	940	50°C
71	T 132S-6	380-415V	3	4.0	50	49.4	150	220	105	F	940	50°C
72	T 132M1-6	380-415V	4	5.5	50	61.8	150	215	105	F	945	50°C
73	T 132M2-6	380-415V	5.5	7.5	50	79.8	150	205	105	F	945	50°C
74	T 132M3-6	380-415V	7.5	10.0	50	101.7	150	200	105	F	945	50°C
75	T 160M-6	380-415V	7.5	10.0	50	101.7	150	200	105	F	955	50°C
76	T 160L-6	380-415V	11	15.0	50	146.3	140	200	100	F	960	50°C
77	T 180L-6	380-415V	15	20.0	50	184.3	135	200	100	F	960	50°C
78	T 200L1-6	380-415V	18.5	25.0	50	230.9	135	200	100	F	965	50°C
79	T 200L2-6	380-415V	22	30.0	50	274.6	135	200	100	F	965	50°C
80	T 225M-6	380-415V	30	40.0	50	367.7	135	200	100	F	975	50°C
81	T 250M-6	380-415V	37	50.0	50	457.9	135	200	100	F	975	50°C
82	T 280S-6	380-415V	45	60.0	50	549.1	135	200	100	F	980	50°C
83	T 280M-6	380-415V	55	75.0	50	685.9	135	200	100	F	980	50°C
84	T 315S-6	380-415V	75	100.0	50	916.8	125	200	100	F	980	50°C
85	T 315M-6	380-415V	90	125.0	50	1146.7	125	200	100	F	980	50°C
86	T 315L1-6	380-415V	110	150.0	50	1369.0	120	200	100	F	980	50°C
87	T 315L2-6	380-415V	132	175.0	50	1599.8	120	200	100	F	980	50°C
88	T 355M1-6	380-415V	160	215.0	50	1900.0	100	175	90	F	980	50°C
89	T 355M2-6	380-415V	200	270.0	50	2636.3	100	175	90	F	980	50°C
90	T 355L1-6	380-415V	220	300.0	50	2874.7	100	175	90	F	980	50°C
91	T 355L2-6	380-415V	250	330.0	50	3125.5	100	175	90	F	980	50°C



DC Serie Fire Pump Motors' Main Performance Parameters(NEMA 415V 50HZ)

Serial NO.	Model NO.	Volts	Output (HP)	Hz /DC	Locked current A(standard) 415V	Locked torque multiple (standard)	Maximum torque multiple (standard)	Minimum torque multiple (standard)	Service factor	INS class	RPM	The test environment temperature
1	TDC254T15U2B	380-415V	15	50	141	130	200	100	1.15	F	2920	50°C
2	TDC256T20U2B	380-415V	20	50	177	130	200	100	1.15	F	2920	50°C
3	TDC284TS25U2B	380-415V	25	50	222	130	200	100	1.15	F	2930	50°C
4	TDC286TS30U2B	380-415V	30	50	264	130	200	100	1.15	F	2930	50°C
5	TDC324TS40U2B	380-415V	40	50	354	125	200	100	1.15	F	2930	50°C
6	TDC326TS50U2B	380-415V	50	50	441	120	200	100	1.15	F	2930	50°C
7	TDC364TS60U2B	380-415V	60	50	529	120	200	100	1.15	F	2930	50°C
8	TDC365TS75U2B	380-415V	75	50	661	105	200	95	1.15	F	2940	50°C
9	TDC405TS100U2B	380-415V	100	50	883	105	200	95	1.15	F	2940	50°C
10	TDC444TS125U2B	380-415V	125	50	1105	100	200	90	1.15	F	2940	50°C
11	TDC445TS150U2B	380-415V	150	50	1319	100	200	90	1.15	F	2940	50°C
12	TDC 254T15U4B	380-415V	15	50	141	160	200	110	1.15	F	1440	50°C
13	TDC 256T20U4B	380-415V	20	50	177	150	200	105	1.15	F	1445	50°C
14	TDC 284T25U4B	380-415V	25	50	222	150	200	105	1.15	F	1450	50°C
15	TDC 286T30U4B	380-415V	30	50	264	150	200	105	1.15	F	1460	50°C
16	TDC 324T40U4B	380-415V	40	50	354	140	200	100	1.15	F	1460	50°C
17	TDC 326T50U4B	380-415V	50	50	441	140	200	100	1.15	F	1470	50°C
18	TDC364T60U4B	380-415V	60	50	529	140	200	100	1.15	F	1480	50°C
19	TDC365T75U4B	380-415V	75	50	661	140	200	100	1.15	F	1480	50°C
20	TDC405T100U4B	380-415V	100	50	883	125	200	100	1.15	F	1480	50°C
21	TDC444T125U4B	380-415V	125	50	1105	110	200	100	1.15	F	1480	50°C
22	TDC445T150U4B	380-415V	150	50	1319	110	200	100	1.15	F	1480	50°C
23	TDC 254T7.5U6B	380-415V	7.5	50	77	150	200	105	1.15	F	955	50°C
24	TDC 256T10U6B	380-415V	10	50	98	150	200	105	1.15	F	960	50°C
25	TDC 284T15U6B	380-415V	15	50	141	140	200	100	1.15	F	960	50°C
26	TDC 286T20U6B	380-415V	20	50	177	135	200	100	1.15	F	965	50°C
27	TDC 324T25U6B	380-415V	25	50	222	135	200	100	1.15	F	965	50°C
28	TDC 326T30U6B	380-415V	30	50	264	135	200	100	1.15	F	975	50°C
29	TDC364T40U6B	380-415V	40	50	354	135	200	100	1.15	F	975	50°C
30	TDC365T50U6B	380-415V	50	50	441	135	200	100	1.15	F	980	50°C
31	TDC404T60U6B	380-415V	60	50	529	135	200	100	1.15	F	980	50°C
32	TDC405T75U6B	380-415V	75	50	661	135	200	100	1.15	F	980	50°C
33	TDC444T100U6B	380-415V	100	50	883	125	200	100	1.15	F	980	50°C
34	TDC445T125U6B	380-415V	125	50	1105	125	200	100	1.15	F	980	50°C



DC Serie Fire Pump Motors' Main Performance Parameters(NEMA ODP 208~230/460V 60HZ)

Serial NO.	Model NO.	Volts	Output (HP)	Hz /DC	Locked current A(standard) 460V	Locked torque multiple (standard)	Maximum torque multiple (standard)	Minimum torque multiple (standard)	Service factor	INS class	RPM	The test environment temperature
1	TDC254T15U2B	208~230/460V	15	60	116.0	130	200	100	1.15	F	3504	50°C
2	TDC256T20U2B	208~230/460V	20	60	145.0	130	200	100	1.15	F	3504	50°C
3	TDC284TS25U2B	208~230/460V	25	60	182.5	130	200	100	1.15	F	3516	50°C
4	TDC286TS30U2B	208~230/460V	30	60	217.5	130	200	100	1.15	F	3516	50°C
5	TDC324TS40U2B	208~230/460V	40	60	290.0	125	200	100	1.15	F	3516	50°C
6	TDC326TS50U2B	208~230/460V	50	60	362.5	120	200	100	1.15	F	3516	50°C
7	TDC364TS60U2B	208~230/460V	60	60	435.0	120	200	100	1.15	F	3516	50°C
8	TDC365TS75U2B	208~230/460V	75	60	542.5	105	200	95	1.15	F	3528	50°C
9	TDC405TS100U2B	208~230/460V	100	60	725.0	105	200	95	1.15	F	3528	50°C
10	TDC444TS125U2B	460V	125	60	907.5	100	200	90	1.15	F	3528	50°C
11	TDC445TS150U2B	460V	150	60	1085.0	100	200	90	1.15	F	3528	50°C
12	TDC 254T15U4B	208~230/460V	15	60	116.0	160	200	110	1.15	F	1728	50°C
13	TDC 256T20U4B	208~230/460V	20	60	145.0	150	200	105	1.15	F	1734	50°C
14	TDC 284T25U4B	208~230/460V	25	60	182.5	150	200	105	1.15	F	1740	50°C
15	TDC 286T30U4B	208~230/460V	30	60	217.5	150	200	105	1.15	F	1752	50°C
16	TDC 324T40U4B	208~230/460V	40	60	290.0	140	200	100	1.15	F	1752	50°C
17	TDC 326T50U4B	208~230/460V	50	60	362.5	140	200	100	1.15	F	1764	50°C
18	TDC364T60U4B	208~230/460V	60	60	435.0	140	200	100	1.15	F	1776	50°C
19	TDC365T75U4B	208~230/460V	75	60	542.5	140	200	100	1.15	F	1776	50°C
20	TDC405T100U4B	208~230/460V	100	60	725.0	125	200	100	1.15	F	1776	50°C
21	TDC444T125U4B	460V	125	60	907.5	110	200	100	1.15	F	1776	50°C
22	TDC445T150U4B	460V	150	60	1085.0	110	200	100	1.15	F	1776	50°C
23	TDC 254T7.5U6B	208~230/460V	7.5	60	63.5	150	200	105	1.15	F	1146	50°C
24	TDC 256T10U6B	208~230/460V	10	60	81.0	150	200	105	1.15	F	1152	50°C
25	TDC 284T15U6B	208~230/460V	15	60	116.0	140	200	100	1.15	F	1152	50°C
26	TDC 286T20U6B	208~230/460V	20	60	145.0	135	200	100	1.15	F	1158	50°C
27	TDC 324T25U6B	208~230/460V	25	60	182.5	135	200	100	1.15	F	1158	50°C
28	TDC 326T30U6B	208~230/460V	30	60	217.5	135	200	100	1.15	F	1170	50°C
29	TDC364T40U6B	208~230/460V	40	60	290.0	135	200	100	1.15	F	1170	50°C
30	TDC365T50U6B	208~230/460V	50	60	362.5	135	200	100	1.15	F	1176	50°C
31	TDC404T60U6B	208~230/460V	60	60	435.0	135	200	100	1.15	F	1176	50°C
32	TDC405T75U6B	208~230/460V	75	60	542.5	135	200	100	1.15	F	1176	50°C
33	TDC444T100U6B	208~230/460V	100	60	725.0	125	200	100	1.15	F	1176	50°C
34	TDC445T125U6B	460V	125	60	907.5	125	200	100	1.15	F	1176	50°C



XC Serie Fire Pump Motors' Main Performance Parameters (NEMA ODP 208~230/460V 60HZ)

Serial NO.	Model NO.	Volts	Output (HP)	Hz /DC	Locked current A(standard) 460V	Locked torque multiple (standard)	Maximum torque multiple (standard)	Minimum torque multiple (standard)	Service factor	INS class	RPM	The test environment temperature
1	TXC 143T1U2B	208~230/460V	1	60	15	175	250	120	1.15	F	3450	50°C
2	TXC 143T1.5U2B	208~230/460V	1.5	60	20	175	250	120	1.15	F	3450	50°C
3	TXC 145T2U2B	208~230/460V	2	60	25	170	240	120	1.15	F	3450	50°C
4	TXC 182T3U2B	208~230/460V	3	60	32	160	230	110	1.15	F	3510	50°C
5	TXC 184T5U2B	208~230/460V	5	60	46	150	215	105	1.15	F	3510	50°C
6	TXC 213T7.5U2B	208~230/460V	7.5	60	63.5	140	200	100	1.15	F	3520	50°C
7	TXC 215T10U2B	208~230/460V	10	60	81	135	200	100	1.15	F	3520	50°C
8	TXC 254T15U2B	208~230/460V	15	60	116	130	200	100	1.15	F	3540	50°C
9	TXC 256T20U2B	208~230/460V	20	60	145	130	200	100	1.15	F	3540	50°C
10	TXC 284TS25U2B	208~230/460V	25	60	182.5	130	200	100	1.15	F	3550	50°C
11	TXC 286TS30U2B	208~230/460V	30	60	217.5	130	200	100	1.15	F	3550	50°C
12	TXC 324TS40U2B	208~230/460V	40	60	290	125	200	100	1.15	F	3560	50°C
13	TXC 326TS50U2B	208~230/460V	50	60	362.5	120	200	100	1.15	F	3560	50°C
14	TXC364TS60U2B	208~230/460V	60	60	435	120	200	100	1.15	F	3560	50°C
15	TXC365TS75U2B	208~230/460V	75	60	542.5	105	200	95	1.15	F	3560	50°C
16	TXC405TS100U2B	208~230/460V	100	60	725	105	200	95	1.15	F	3570	50°C
17	TXC444TS125U2B	460	125	60	907.5	100	200	90	1.15	F	3575	50°C
18	TXC445TS150U2B	460	150	60	1085	100	200	90	1.15	F	3575	50°C
19	TXC447TS200U2B	460	200	60	1450	100	200	90	1.15	F	3575	50°C
20	TXC449TS250U2B	460	250	60	1825	70	175	65	1.15	F	3575	50°C
21	TXC 143T1U4B	208~230/460V	1	60	15	275	300	190	1.15	F	1730	50°C
22	TXC 145T1.5U4B	208~230/460V	1.5	60	20	250	280	175	1.15	F	1730	50°C
23	TXC 145T2U4B	208~230/460V	2	60	25	235	270	165	1.15	F	1730	50°C
24	TXC 182T3U4B	208~230/460V	3	60	32	215	250	150	1.15	F	1735	50°C
25	TXC 184T5U4B	208~230/460V	5	60	46	185	225	130	1.15	F	1735	50°C
26	TXC 213T7.5U4B	208~230/460V	7.5	60	63.5	175	215	120	1.15	F	1740	50°C
27	TXC 215T10U4B	208~230/460V	10	60	81	165	200	115	1.15	F	1740	50°C
28	TXC 254T15U4B	208~230/460V	15	60	116	160	200	110	1.15	F	1750	50°C
29	TXC 256T20U4B	208~230/460V	20	60	145	150	200	105	1.15	F	1750	50°C
30	TXC 284T25U4B	208~230/460V	25	60	182.5	150	200	105	1.15	F	1760	50°C
31	TXC 286T30U4B	208~230/460V	30	60	217.5	150	200	105	1.15	F	1760	50°C
32	TXC 324T40U4B	208~230/460V	40	60	290	140	200	100	1.15	F	1770	50°C
33	TXC 326T50U4B	208~230/460V	50	60	362.5	140	200	100	1.15	F	1770	50°C
34	TXC364T60U4B	208~230/460V	60	60	435	140	200	100	1.15	F	1775	50°C
35	TXC365T75U4B	208~230/460V	75	60	542.5	140	200	100	1.15	F	1775	50°C
36	TXC405T100U4B	208~230/460V	100	60	725	125	200	100	1.15	F	1780	50°C
37	TXC444T125U4B	460	125	60	907.5	110	200	100	1.15	F	1780	50°C
38	TXC445T150U4B	460	150	60	1085	110	200	100	1.15	F	1780	50°C
39	TXC447T200U4B	460	200	60	1450	100	200	90	1.15	F	1780	50°C
40	TXC449T250U4B	460	250	60	1825	80	175	75	1.15	F	1780	50°C
41	TXC 145T1U6B	208~230/460V	1	60	15	170	265	120	1.15	F	1150	50°C
42	TXC 182T1.5U6B	208~230/460V	1.5	60	20	165	250	115	1.15	F	1150	50°C
43	TXC 184T2U6B	208~230/460V	2	60	25	160	240	110	1.15	F	1150	50°C
44	TXC 213T3U6B	208~230/460V	3	60	32	155	230	110	1.15	F	1150	50°C
45	TXC 215T5U6B	208~230/460V	5	60	46	150	215	105	1.15	F	1160	50°C
46	TXC 254T7.5U6B	208~230/460V	7.5	60	63.5	150	200	105	1.15	F	1160	50°C
47	TXC 256T10U6B	208~230/460V	10	60	81	150	200	105	1.15	F	1165	50°C
48	TXC 284T15U6B	208~230/460V	15	60	116	140	200	100	1.15	F	1165	50°C
49	TXC 286T20U6B	208~230/460V	20	60	145	135	200	100	1.15	F	1170	50°C
50	TXC 324T25U6B	208~230/460V	25	60	182.5	135	200	100	1.15	F	1170	50°C
51	TXC 326T30U6B	208~230/460V	30	60	217.5	135	200	100	1.15	F	1175	50°C
52	TXC364T40U6B	208~230/460V	40	60	290	135	200	100	1.15	F	1175	50°C
53	TXC365T50U6B	208~230/460V	50	60	362.5	135	200	100	1.15	F	1180	50°C
54	TXC404T60U6B	208~230/460V	60	60	435	135	200	100	1.15	F	1180	50°C
55	TXC405T75U6B	208~230/460V	75	60	542.5	135	200	100	1.15	F	1180	50°C
56	TXC444T100U6B	208~230/460V	100	60	725	125	200	100	1.15	F	1180	50°C
57	TXC445T125U6B	460	125	60	907.5	125	200	100	1.15	F	1180	50°C
58	TXC447T150U6B	460	150	60	1085	120	200	100	1.15	F	1180	50°C
59	TXC449T200U6B	460	200	60	1450	120	200	100	1.15	F	1180	50°C



TECHNICAL DATA

PRODUCT FEATURES

Model	F-TDC445TS150U2B		
Standard	NEMA MG-1	Output rating	150 HP
Frequency	60 Hz	Mounting	Foot-mounted
Voltage	380-400 V	Flange	Without
Number of poles	2	Mounting	F-1
Degree of Protection	IP23	Terminal box ¹	Left position
Synchronous speed	3600 rpm	Enclosure	IC01 - ODP

PRODUCT DETAILS

Frame	445TS	Frequency	60 Hz
Output	150 HP (110 kW)	Number of Poles	2
Slip	0.015	Rated speed	3545 rpm
Rated voltage	380-400 V	Temperature rise	80 K
Rated current	200.9-190.8 A	Duty Cycle	Cont.(S1)
L. R. Amperes	1310-1242 A	Starting Method	Wye-Delta
LRC	6.5x(Code G)	Ambient temperature	50°C
No load current	41-38 A	Altitude	1000 m.a.s.l.
Rated torque	222.32 ft.lb	Noise level	98.0 dB(A)
Locked rotor torque	100%	Approx. weight	1260 lb
Breakdown torque	200%	Service factor	1.15
Locked rotor time	30s (cold) 15s (hot)	Design	B
Moment of inertia	16.79 ft.lb²	Insulation Class	F
Efficiency/Power factor	Load	Efficiency	Power factor
	100%	93	0.91
	75%	93.5	0.86
	50%	92.4	0.8
Bearing	Drive-end	6316C3	
	Opposite drive-end	6316C3	



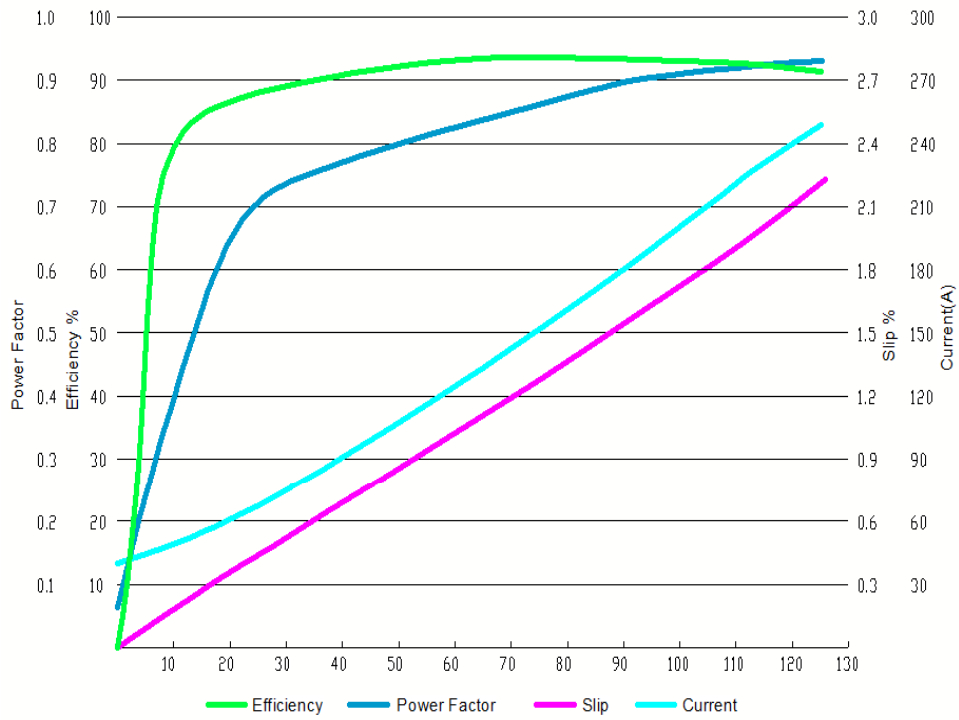
LISTED
FIRE PUMP MOTOR
EX26635



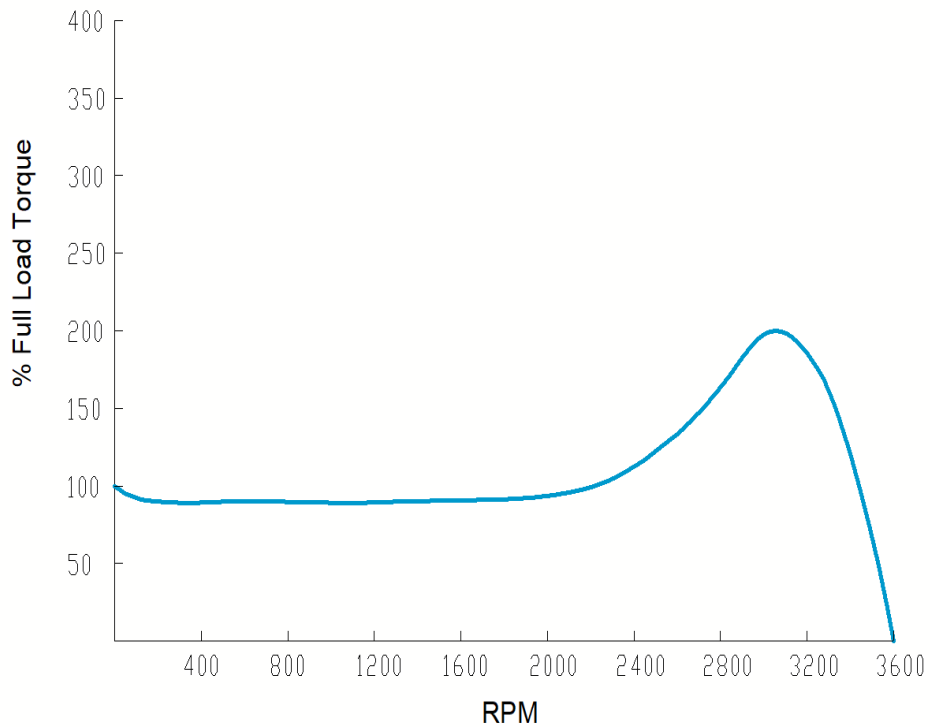
PERFORMANCE CURVES

Torque Values	Torque (lb-ft)	Torque Values	Torque (lb-ft)
Locked Rotor Torque	222.32	Breakdown Torque	444.64
Pull-Up Torque	200.09	Full Load Torque	222.32

Load Performance Curve



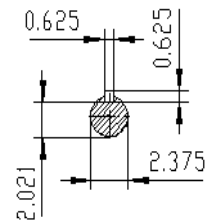
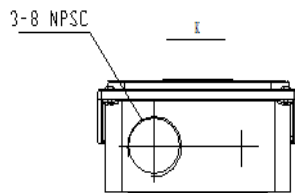
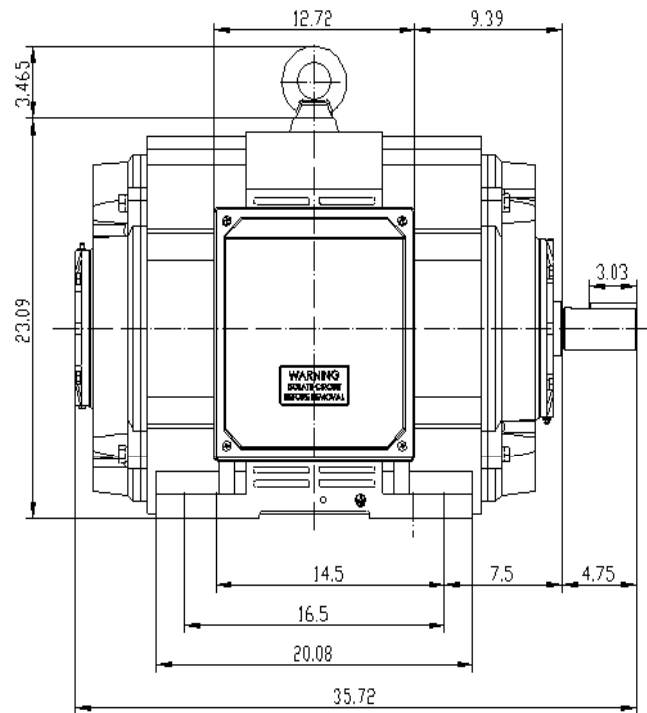
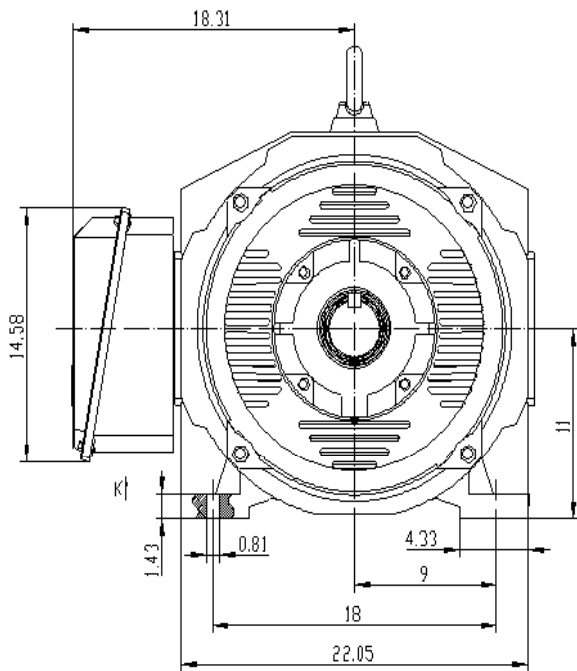
Torque Speed(T-n)Curve






DRAWINGS

Frame size	445TS	Frame Material	Cast iron
Poles	2	DWG NO	CY232.A16.001
Units	Inch		



	Vendor Ref. No.	
	Contractor Ref. No.	
Project Name:	Contractor Job No.	

ELECTRIC PUMP CONTROLLER SPECIFICATIONS

<i>0</i>	<i>SUBMITTED FOR APPROVAL</i>				
Rev	Description	Prepared	Checked	Approved	Date



TORNATECH

Project: _____

Customer: _____

Engineer: _____

Pump Manufacturer: _____

Technical Data Submittal Document

GPx Series

Full Service

Electric Fire Pump Controller



Contents:

Data Sheets

Dimensional Data

Wiring Schematics

Field Connections

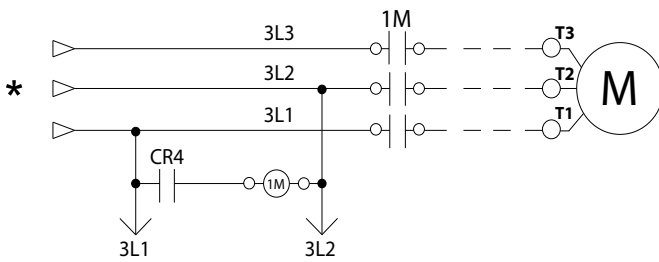
Note: The drawings included in this package are for controllers covered under our standard offering. Actual AS BUILT drawings may differ from what is shown in this package.



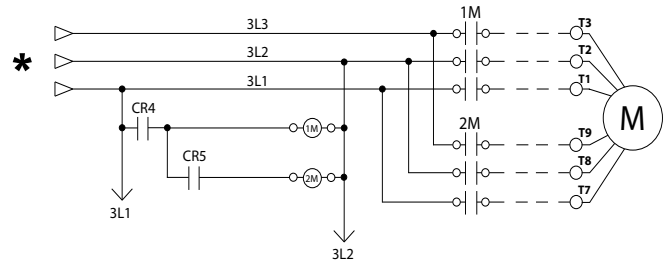
June 2022

Select starting method

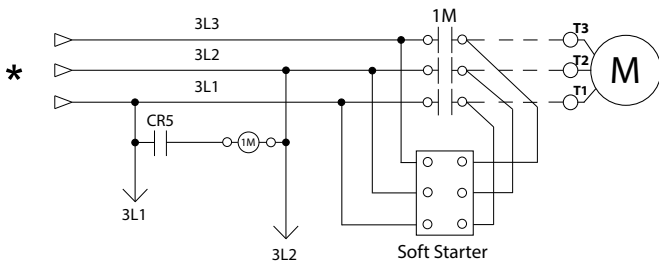
Model GPA Across the line



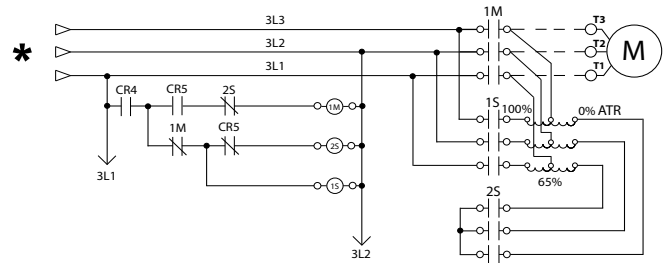
Model GPP Partwinding



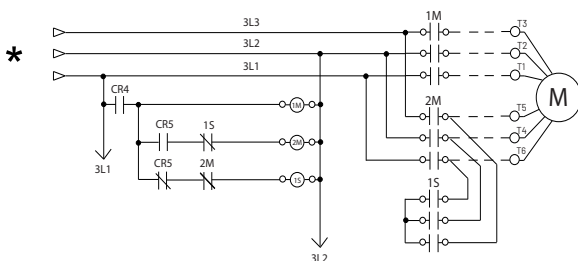
Model GPS Soft Start Soft Stop



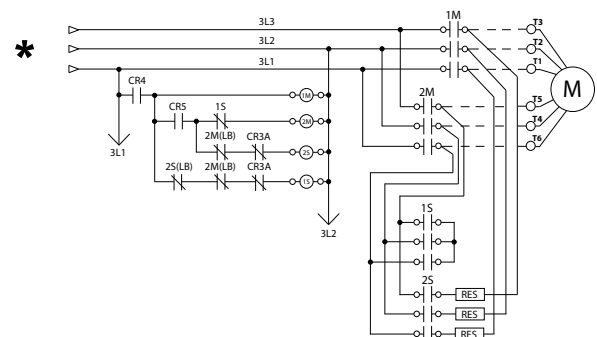
Model GPR Autotransformer



Model GPY Wye-Delta Open



Model GPW Wye-Delta Closed



*From normal incoming power through Disconnecting Means (IS/CB)





Standard, Listings, Approvals and Certifications	Built to NFPA 20 (latest edition)		
	Underwriters Laboratory (UL)	UL218 - Fire Pump Controllers	
	FM Global	Class 1321/1323	
	New York City	Accepted for use in the City of New York by the Department of Buildings	
	CE Mark	Various EN, IEC & CEE directives and standards	
	Built in Canada or U.A.E	Built in Europe	
	CE Mark Option	Supplied as Standard	
Enclosure	Protection Rating		
	Built in Canada or U.A.E	Built in Europe	
	Standard: NEMA 2	Standard: IP55	
	Optional		
	NEMA 12	NEMA 4X-304 sst painted	IP54
	NEMA 3	NEMA 4X-304 sst brushed finish	IP55
	NEMA 3R	NEMA 4X-316 sst painted	IP65
	NEMA 4	NEMA 4X-316 sst brushed finish	IP66
	Accessories • Bottom entry gland plate • Lifting Lugs • Keylock handle	Paint Specifications • Red RAL3002 • Powder coating • Glossy textured finish	

Shortcircuit Withstand Rating	200V to 208V 60Hz	220V to 240V 60Hz	380V to 415V 50 Hz / 60Hz	440V to 480V 60Hz	575V to 600V 60Hz
	HP (kw)				
Standard 100kA	5 - 150 (3.7 - 110)	5 - 200 (3.7 - 149)	5 - 300 (3.7 - 223)	5 - 400 (3.7 - 298)	N/A
Optional 150kA					
Standard 50kA	200 (149)	250 (186)	350 - 450 (261-335)	450 - 500 (335 - 373)	5 - 500 (3.7- 373)
Optional 100kA	N/A	N/A	350 - 500 (261 - 373)	450 - 500 (335 - 373)	
Optional 200kA	5 - 150 (3.7 - 110)	5 - 200 (3.7 - 149)	5 - 300 (3.7 - 223)	5 - 400 (3.7 - 298)	N/A

*Please see Disconnecting Means details on page 4



Ambient Temperature Rating	Standard: 4°C to 40°C / 39°F to 104°F Optional: 4°C to 55°C / 39°F to 131°F Controllers built in Dubai, UAE (Tornatech FZE) are supplied standard with 55°C rating.
Surge Suppression	Surge arrestor rated to suppress surges above line voltage
Disconnecting Means	<ul style="list-style-type: none"> • Isolating switch and circuit breaker assembly: <ul style="list-style-type: none"> - Door interlocked in the ON position - Isolating switch rated not less than 115% of motor full load current - Circuit breaker continuous rating not less than 115% of motor full load current - Overcurrent sensing non-thermal type, magnetic only - Instantaneous trip setting of not more than 20 times the motor full load current • Common flange mounted operating handle
Service Entrance Rating	Suitable as service entrance equipment
Emergency Start Handle	<ul style="list-style-type: none"> • Flange mounted • Pull and latch activation • Integrated limit switch • Across the line start (direct on line)
Locked Rotor Protector	<ul style="list-style-type: none"> • Operate shunt trip to open circuit breaker • Factory set at 600% of motor full load current • Trip between 8 and 20 seconds
Electrical Readings	<ul style="list-style-type: none"> • Voltage phase to phase (normal power) • Amperage of each phase when motor is running
Pressure Readings	<ul style="list-style-type: none"> • Continuous system pressure display • Cut-in and Cut-out pressure settings
Pressure and Event recorder	<ul style="list-style-type: none"> • Pressure readings with date stamp • Event recording with date stamp • Under regular maintained operation, events are stored in memory for the life of the controller. • Data viewable on operator interface display screen • Downloadable by USB port to external memory device
Pressure Sensing	<ul style="list-style-type: none"> • Pressure transducer and run test solenoid valve assembly for fresh water application • Pressure sensing line connection 1/2" Female NPT • Drain connection 3/8" • Rated for 0-500PSI working pressure (standard display at 0-300PSI) • Externally mounted with protective cover



Audible Alarm	6" alarm bell - 85 dB at 10ft. (3m)		
Visual Indications	<ul style="list-style-type: none"> • Power available • Motor run • Periodic test • Manual start 	<ul style="list-style-type: none"> • Deluge valve start • Remote automatic start • Remote manual start • Emergency start 	<ul style="list-style-type: none"> • Pump on demand/Automatic start • Pump room temperature (°F or °C) • Lockout
Visual & Audible Alarms	<p>Visual</p> <ul style="list-style-type: none"> • Control voltage not healthy • Invalid cut-in • Lock rotor current • Loss of power • Low ambient temperature • Low water level • Motor trouble • Phase reversal (normal power) <p>Visual and audible</p> <ul style="list-style-type: none"> • Fail to start 		
Remote Alarm Contacts	<p>DPDT-8A-250V.AC</p> <ul style="list-style-type: none"> • Power available • Phase reversal • Motor run • Common pump room alarm (field re-assignable)** <ul style="list-style-type: none"> • Overvoltage • Undervoltage • Phase unbalance • Low pump room temperature • High Pump room temperature • Common motor trouble (field re-assignable)** <ul style="list-style-type: none"> • Overcurrent • Fail to start • Undercurrent • Ground fault • Free (field programmable)** 		

**Tornatech reserves the right to use any of these three alarm points for special specific application requirements.



ViZiTouch V2 Operator Interface	<ul style="list-style-type: none"> • Embedded microcomputer with software PLC logic • 7.0" color touch screen (HMI technology) • Upgradable software • Multi-language 			
Communication Protocol Capability	<ul style="list-style-type: none"> • Protocol: Modbus • Connection type: Shielded female connector RJ45 • Frame Format: TCP/IP • Addresses: See bulletin MOD-GPx 			
Operation	Automatic Start	<ul style="list-style-type: none"> • Start on pressure drop • Remote start signal from automatic device • Deluge valve start 		
	Manual Start	<ul style="list-style-type: none"> • Start pushbutton • Run test pushbutton • Remote start from manual device 		
	Stopping	<ul style="list-style-type: none"> • Manual with Stop pushbutton • Automatic after expiration of minimum run timer *** 		
	Timers	Field Adjustable & Visual Countdown	<ul style="list-style-type: none"> • Minimum run timer ***(off delay) • Sequential start timer (on delay) • Periodic test timer 	
	Actuation	Visual Indication	<ul style="list-style-type: none"> • Pressure • Non-pressure 	
	Mode		<ul style="list-style-type: none"> • Automatic • Non-automatic 	

***Can only be used if approved by the AHJ



A4	Flow switch provision	C19	Emergency start alarm contact (DPDT)
A8	Foam pump application w/o pressure transducer and run test solenoid valve.	C20	Manual start alarm contact (DPDT)
A9	Low zone pump control function	C21	Deluge valve start alarm contact (DPDT)
A10	Middle zone pump control function	C22	Remote automatic start alarm contact (DPDT)
A11	High zone pump control function	C23	Remote manual start alarm contact (DPDT)
A13	Non-pressure actuated controller w/o pressure transducer and run test solenoid valve	C24	High pump room temperature alarm contact (DPDT)
A16	Lockout/interlock circuit from equipment installed inside the pump room	C25	Second set of standard alarm contacts (DPDT) (Typical for city of Los Angeles and Denver)
B11	Built in alarm panel (120V.AC supervisory power) providing indication for: • Audible alarm & silence pushbutton for motor run, phase reversal, loss of phase. • Pilot lights for loss of phase & supervisory power available	Cx	Additional visual and alarm contact (Specify function) (DPDT)
B11B	Built in alarm panel same as B11 but 220-240VAC supervisory power	D1	Low suction pressure transducer for fresh water rated at 0-300PSI with visual indication and alarm contact
B19A	High motor temperature c/w thermostat relay and alarm contacts (DPDT)	D1A	Low suction pressure transducer for sea water rated at 0-300PSI with visual indication and alarm contact
B19B	High motor temperature c/w PT100 relay and alarm contacts (DPDT)	D5	Pressure transducer and run test solenoid valve for fresh water rated for 0-500PSI (for factory calibration purposes only)
B21	Ground fault alarm detection c/w visual indication and alarm contact (DPDT)	D5D	Pressure transducer and run test solenoid valve for sea water rated for 0-500PSI
C1	Extra motor run alarm contact (DPDT)	D10	Omit mounting feet (when applicable)
C4	Periodic test alarm contact (DPDT)	D13	High withstand rating for: • 200V to 208V @ 150HP max. = 150kA* • 200V to 208V @ 200HP = 100kA* • 220V to 240V @ 200HP max. = 150kA* • 220V to 240V @ 250HP = 100kA* • 380V to 415V @ 300HP max. = 150kA* • 380V to 415V @ 350HP to 450HP = 100kA* • 440V to 480V @ 400HP max. = 150kA* • 440V to 480V @ 450HP to 500HP = 100kA* • 600V @ 500HP max. = 100kA*
C6	Low discharge pressure alarm contact (DPDT)	D13A	High withstand rating for: • 380V to 480V = 65kA* • 600V = 25kA*
C7	Low pump room temperature alarm contact (DPDT)	D13B	High withstand rating for: • 200V to 208V @ 150HP max. = 200kA* • 220V to 240V @ 200HP max. = 200kA* • 380V to 415V @ 300HP max. = 200kA* • 440V to 480V @ 400HP max. = 200kA*
C10	Low water reservoir level alarm contact (DPDT)	D14	Anti-condensation heater & thermostat
C11	High electric motor temperature alarm contact (DPDT)	D14A	Anti-condensation heater & humidistat
C12	High electric motor vibration c/w visual indication and alarm contact (DPDT)	D14B	Anti-condensation heater & thermostat & humidistat
C14	Pump on demand / automatic start alarm contact (DPDT)		
C15	Pump fail to start alarm contact (DPDT)		
C16	Control voltage healthy alarm contact (DPDT)		
C17	Flow meter valve loop open c/w visual indication and alarm contact (DPDT)		
C18	High water reservoir level c/w visual indication and alarm contact (DPDT)		

*For fire pump controller section only.

Note: Options chosen from this page are not electrically represented on the wiring schematics in this submittal package.



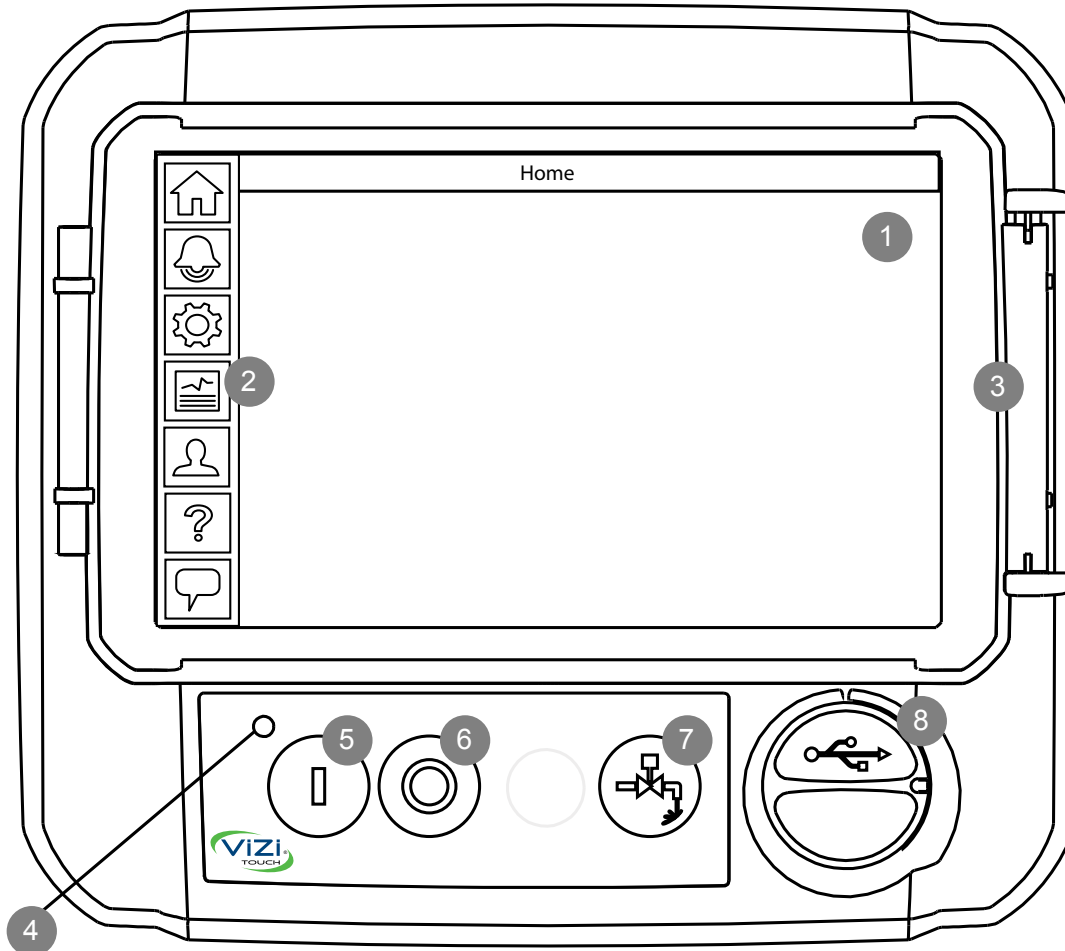
D15	Tropicalization
D18	CE Mark with factory certificate
D26	Modbus with RTU frame format and RS485 connection
D27	Motor heater connection (external single phase power source and heater on/off contact)
D27A	Motor heater connection (internal single phase power source and heater on/off contact)
D28	Customized drawing set
D34A	Field programmable I/O board - 5 Input / 5 output
D43	Seismic Certification compliant to CBC 2019, IBC 2018 rigid base/wall mounted only
D44	Special Seismic Certification compliant to OSHPD rigid base/wall mounted only

L01	Other language and English (bilingual)
L02	French
L03	Spanish
L04	German
L05	Italian
L06	Polish
L07	Romanian
L08	Hungarian
L09	Slovak
L10	Croatian
L11	Czech
L12	Portuguese
L13	Dutch
L14	Russian
L15	Turkish
L16	Swedish
L17	Bulgarian
L18	Thai
L19	Indonesian
L20	Slovenian
L21	Danish
L22	Greek
L23	Arabic
L24	Hebrew
L25	Chinese

Additional Options:

Note: Options chosen from this page are not electrically represented on the wiring schematics in this submittal package.

ViZiTouch V2 Operator Interface



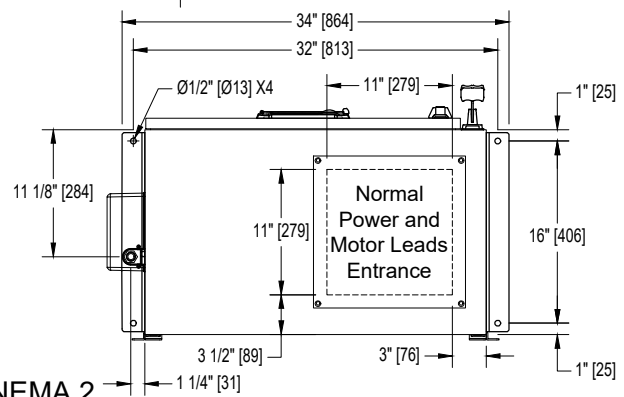
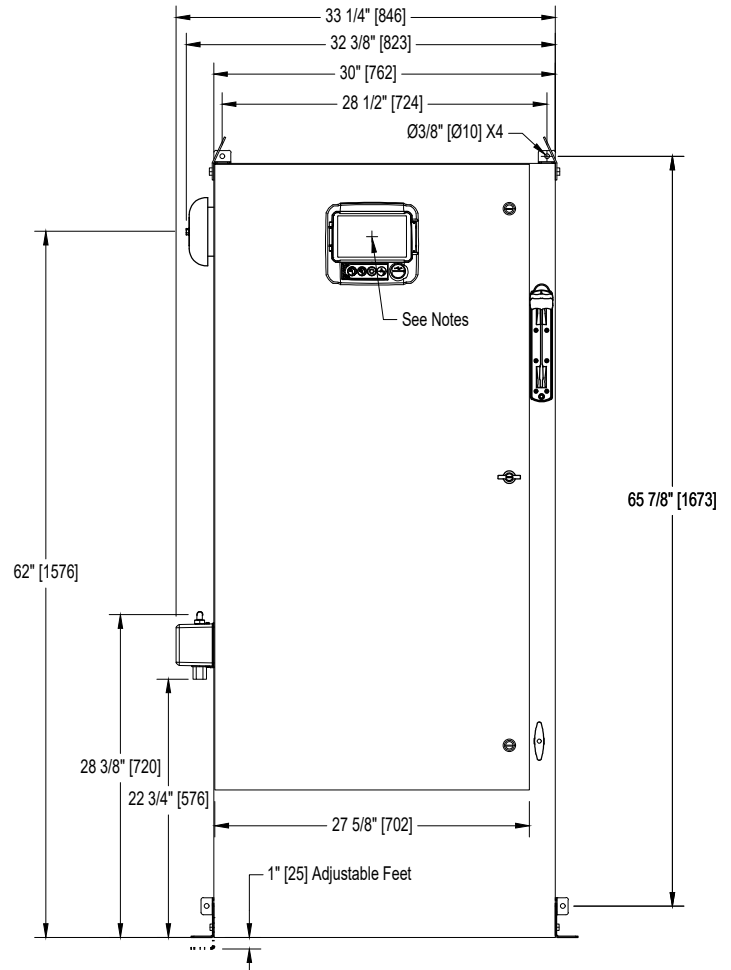
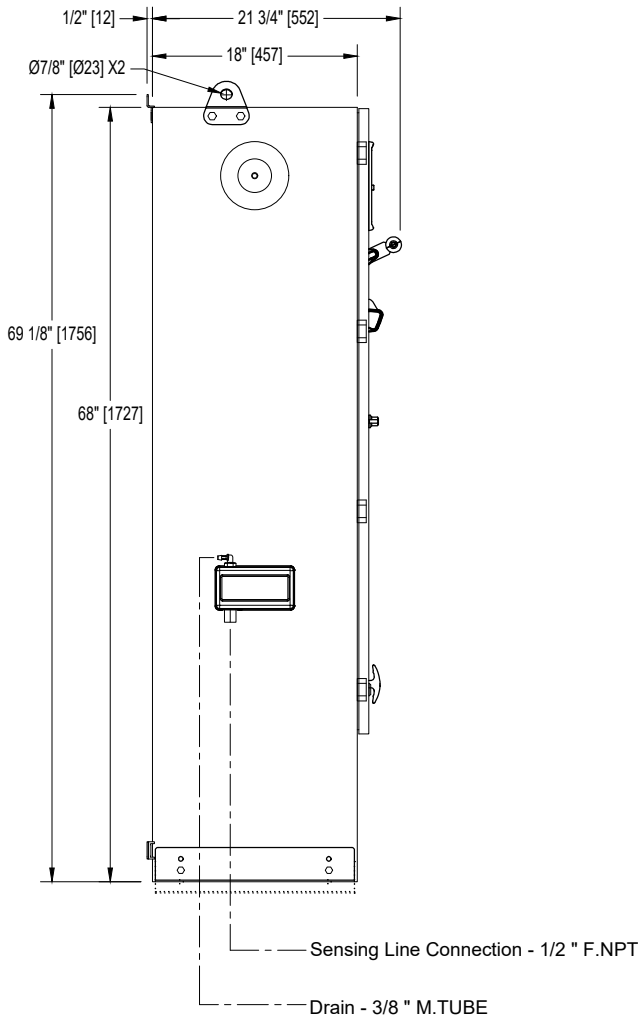
- | | |
|------------------------|--------------------------|
| 1 - Color touch screen | 3 - Screen protector |
| 2 - Onscreen menu | 4 - Power LED (3 colors) |
| • HOME page | 5 - START button |
| • ALARM page | 6 - STOP button |
| • CONFIGURATION page | 7 - RUN TEST button |
| • HISTORY page | 8 - USB port |
| • SERVICE page | |
| • MANUAL page | |
| • LANGUAGES page | |

Electric Fire Pump Controller

Model: GPA/GPP/GPY

Dimensions

Built to the latest edition of the NFPA 20 standard

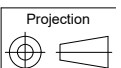


Voltage / Power Table		
Voltage	Min HP	Max HP
208	75	150
220 - 240	100	200
380 - 400 - 415	150	300
440 - 480	200	400
600	250	500

Notes:

- Standard NEMA: NEMA 2
- Standard paint : textured red RAL 3002.
- All dimensions are in inches [millimeters].
- Center of ViZiTouch screen: 61-5/8" [1564] from Bottom.
- Bottom conduit entrance through removable gland plate recommended.
- Use watertight conduit and connector only.
- Protect equipment against drilling chips.
- Door swing equal to door width.

Drawing for information only.
 Manufacturer reserves the right to modify this drawing without notice.
 Contact manufacturer for "As Built" drawing.



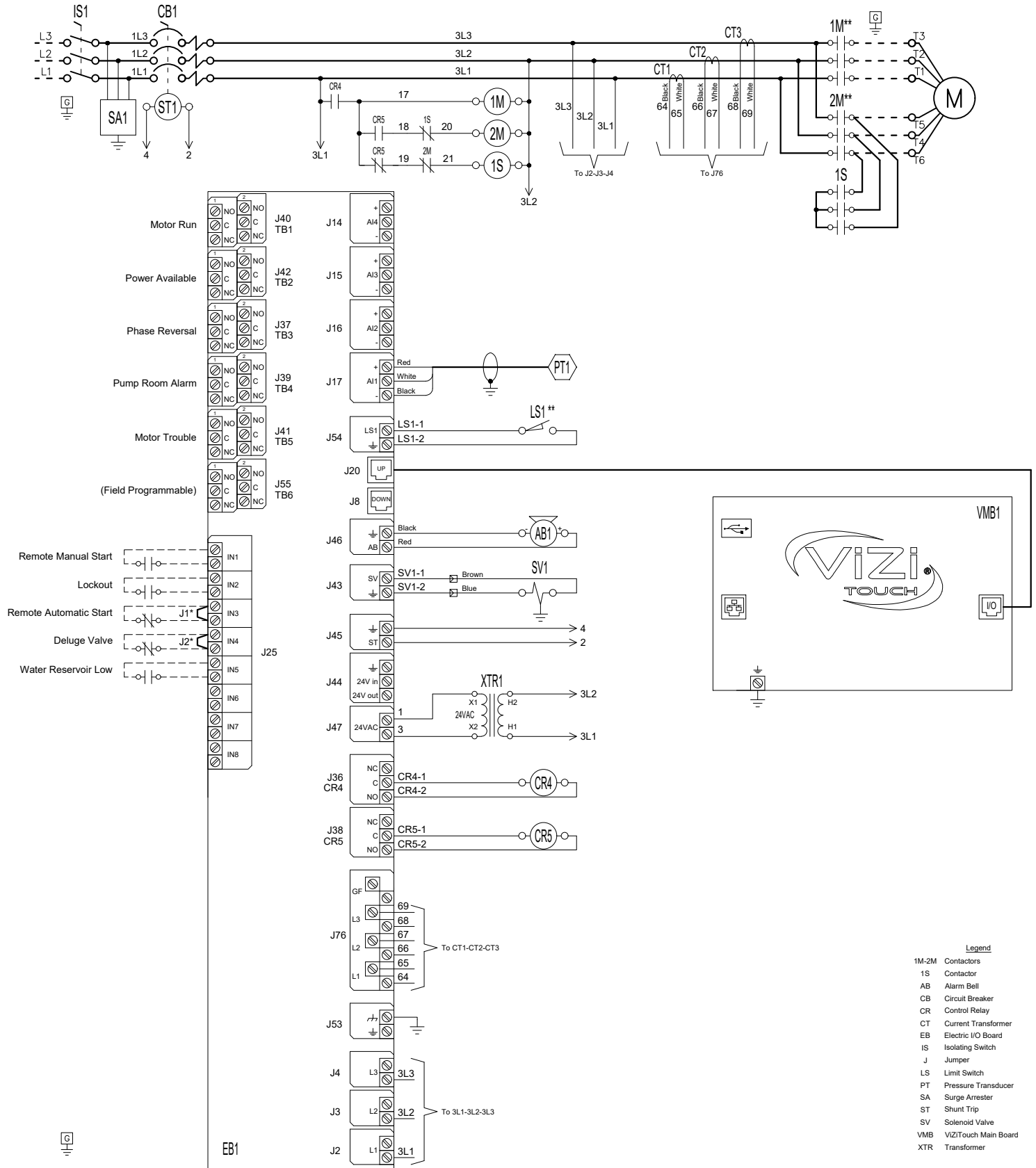
REV.	DESCRIPTION	DD/MM/YY	Drawing number
4.	Removed Seismic logo (optional)	18/05/22	GPX-DI361 /E
3.	HP Table Modified	22/12/20	
2.	New Logo	10/05/18	

Electric Fire Pump Controller Reduced Voltage / Wye-Delta (Open Transition)

Model: GPY

Wiring schematic

Built to the latest edition of the NFPA 20 standard



* Remove jumper to use this feature
** Contact closes when emergency start is in "ON" position

Drawing for information only.
Manufacturer reserves the right to modify this drawing without notice.
Contact manufacturer for "As Built" drawing.



REV.	DESCRIPTION	DD/MM/YY	Drawing number
3	Removed Seismic logo (optional)	18/05/22	GPY-WS600 /E
2	Update Logo	23/04/18	
1	Removed (fail safe) text from Power Available relay	20/02/17	

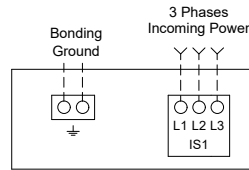
Electric Fire Pump Controller

Model: GPX

Terminal Diagram and Sizing for Isolating Switch

Built to the latest edition of the NFPA 20 standard

Power Terminals



Notes:

- 1 - For proper wire sizing, refer to NFPA70 and NEC (USA) or CEC (Canada) or local code.
- 2 - Controller suitable for service entrance in USA.
- 3 - For more accurate motor connections refer to motor manufacturer or motor nameplate.
- 4 - Controller is phase sensitive. Incoming lines must be connected in ABC sequence.

COPPER CONDUCTORS for Isolating Switch (IS1).

Field Wiring According to Bending Space (AWG or MCM). Terminals L1 - L2 - L3

Bending Space	5" (127 mm)							8" (203 mm)		
	HP	5	7.5	10	15	20	25	30	40	50
208	1x (10 to 1/0)	1x (8 to 1/0)	1x (8 to 1/0)	1x (6 to 1/0)	1x (4 to 1/0)	1x (3 to 1/0)	1x (2 to 1/0)	1x (1/0 to 3/0)	1x (3/0 to 250)	1x (4/0 to 250)
220 to 240	1x (10 to 1/0)	1x (10 to 1/0)	1x (8 to 1/0)	1x (6 to 1/0)	1x (4 to 1/0)	1x (4 to 1/0)	1x (3 to 1/0)	1x (1 to 3/0)	1x (2/0 to 3/0)	1x (3/0 to 250)
380 to 416	1x (10 to 1/0)	1x (10 to 1/0)	1x (10 to 1/0)	1x (8 to 1/0)	1x (8 to 1/0)	1x (6 to 1/0)	1x (6 to 1/0)	1x (4 to 1/0)	1x (3 to 1/0)	1x (3 to 1/0)
440 to 480	1x (10 to 1/0)	1x (10 to 1/0)	1x (10 to 1/0)	1x (10 to 1/0)	1x (8 to 1/0)	1x (8 to 1/0)	1x (6 to 1/0)	1x (6 to 1/0)	1x (4 to 1/0)	1x (3 to 1/0)
600	1x (10 to 1/0)	1x (10 to 1/0)	1x (10 to 1/0)	1x (10 to 1/0)	1x (10 to 1/0)	1x (8 to 1/0)	1x (8 to 1/0)	1x (6 to 1/0)	1x (6 to 1/0)	1x (4 to 1/0)

Bending Space	12" (305 mm)				16" (406 mm)							
	HP	75	100	125	150	200	250	300	350	400	450	500
208	2x (1/0 to 500)	2x (2/0 to 500)	2x (4/0 to 500)	2x (250 to 500)	3x (4/0 to 500)	-----	-----	-----	-----	-----	-----	-----
220 to 240	1x (250)	2x (2/0 to 500)	2x (3/0 to 500)	2x (4/0 to 500)	2x (350 to 500)	3x (250 to 500)	-----	-----	-----	-----	-----	-----
380 to 416	1x (1/0 to 3/0)	1x (3/0 to 250)	1x (250)	2x (1/0 to 500)	2x (3/0 to 500)	2x (4/0 to 500)	2x (300 to 500)	2x (400 to 500)	3x (250 to 500)	3x (300 to 500)	-----	-----
440 to 480	1x (1 to 3/0)	1x (2/0 to 3/0)	1x (3/0 to 250)	1x (4/0 to 250)	2x (1/0 to 500)	2x (3/0 to 500)	2x (4/0 to 500)	2x (300 to 500)	2x (350 to 500)	2x (400 to 500)	3x (250 to 500)	-----
600	1x (3 to 1/0)	1x (1 to 3/0)	1x (2/0 to 3/0)	1x (3/0 to 250)	1x (250)	2x (2/0 to 500)	2x (3/0 to 500)	2x (4/0 to 500)	2x (250 to 500)	2x (300 to 500)	2x (350 to 500)	2x (500)

ALUMINUM CONDUCTORS for Isolating Switch (IS1).

Field Wiring According to Bending Space (AWG or MCM). Terminals L1 - L2 - L3

Bending Space	5" (127 mm)							8" (203 mm)		10" (254 mm)
	HP	5	7.5	10	15	20	25	30	40	50
208	1x (10 to 1/0)	1x (6 to 1/0)	1x (6 to 1/0)	1x (4 to 1/0)	1x (3 to 1/0)	1x (1 to 1/0)	1x (1/0)	1x (3/0)	1x (4/0 to 250)	1x (300)** or 1x (250) 90°C *
220 to 240	1x (10 to 1/0)	1x (8 to 1/0)	1x (6 to 1/0)	1x (4 to 1/0)	1x (3 to 1/0)	1x (2 to 1/0)	1x (1 to 1/0)	1x (2/0 to 3/0)	1x (3/0) 90°C *	1x (250)
380 to 416	1x (10 to 1/0)	1x (10 to 1/0)	1x (10 to 1/0)	1x (6 to 1/0)	1x (6 to 1/0)	1x (4 to 1/0)	1x (4 to 1/0)	1x (2 to 1/0)	1x (1 to 1/0)	1x (1/0)
440 to 480	1x (10 to 1/0)	1x (10 to 1/0)	1x (10 to 1/0)	1x (8 to 1/0)	1x (6 to 1/0)	1x (6 to 1/0)	1x (6 to 1/0)	1x (4 to 1/0)	1x (2 to 1/0)	1x (1 to 1/0)
600	1x (10 to 1/0)	1x (10 to 1/0)	1x (10 to 1/0)	1x (10 to 1/0)	1x (8 to 1/0)	1x (6 to 1/0)	1x (6 to 1/0)	1x (4 to 1/0)	1x (4 to 1/0)	1x (2 to 1/0)

Bending Space	12" (305 mm)				16" (406 mm)							
	HP	75	100	125	150	200	250	300	350	400	450	500
208	2x (2/0 to 500)	2x (4/0 to 500)	2x (300 to 500)	2x (350 to 500)	3x (300 to 500)	-----	-----	-----	-----	-----	-----	-----
220 to 240	1x (350)** N/A	2x (3/0 to 500)	2x (250 to 500)	2x (300 to 500)	2x (500)	3x (400 to 500)	-----	-----	-----	-----	-----	-----
380 to 416	1x (3/0)	1x (250 to 350)	1x (350)** N/A	2x (3/0 to 500)	2x (4/0 to 500)	2x (300 to 500)	2x (500)	3x (300 to 500)** 2x (500) 90°C *	3x (350 to 500)	3x (400 to 500)	-----	-----
440 to 480	1x (1/0 to 3/0)	1x (3/0)	1x (250)	1x (300 to 350)** 1x (250) 90°C *	2x (3/0 to 500)	2x (250 to 500)	2x (300 to 500)	2x (400 to 500)	2x (500)	2x (500) 90°C *	3x (350 to 500)	-----
600	1x (1 to 1/0)	1x (2/0 to 3/0)	1x (3/0) 90°C *	1x (4/0 to 250)	1x (350 to 500)	2x (3/0 to 500)	2x (4/0 to 250)	2x (300 to 500)	2x (350 to 500)	2x (400 to 500)	2x (500)	-----

*For standard enclosure, use 90°C aluminium wire. Consult Factory for Use of Conductors Rated Lower than 90°C.
** Consult Factory

Drawing for information only.
Manufacturer reserves the right to modify this drawing without notice.
Contact manufacturer for "As Built" drawing.



REV.	DESCRIPTION	DD/MM/YY	Drawing number
1	Removed Seismic logo (optional)	18/05/22	GPX-TD612 1/2 /E
0	First issue	22/12/20	

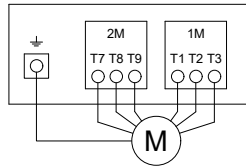
Electric Fire Pump Controller

Model: GPX

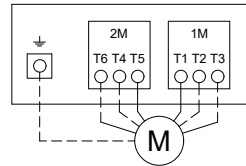
Terminal Diagram and Sizing For GPP, GPY & GPW

Built to the latest edition of the NFPA 20 standard

Motor Terminals



Model : GPP



Models : GPW & GPY

Notes:

- 1 - For proper wire sizing, refer to NFPA70 and NEC (USA) or CEC (Canada) or local code.
- 2 - Controller suitable for service entrance in USA.
- 3 - For more accurate motor connections refer to motor manufacturer or motor nameplate.
- 4 - Controller is phase sensitive. Incoming lines must be connected in ABC sequence.

COPPER CONDUCTORS for Motor Connection (1M-2M).

Field Wiring According to Bending Space (AWG or MCM). Terminals T1-T2-T3-T4-T5-T6-T7-T8-T9

HP Voltage	5	7.5	10	15	20	25	30	40	50	60
208	1x (10 to 4)	1x (10 to 4)	1x (10 to 4)	1x (8 to 4)	1x (8 to 4)	1x (6 to 4)	1x (6 to 4)	1x (4 to 2/0)	1x (2 to 2/0)	1x (1 to 2/0)
220 to 240	1x (10 to 4)	1x (10 to 4)	1x (10 to 4)	1x (8 to 4)	1x (8 to 4)	1x (6 to 4)	1x (6 to 4)	1x (4)	1x (3 to 2/0)	1x (2 to 2/0)
380 to 416	1x (10 to 4)	1x (10 to 4)	1x (10 to 4)	1x (10 to 4)	1x (10 to 4)	1x (10 to 4)	1x (8 to 4)	1x (8 to 4)	1x (6 to 4)	1x (4)
440 to 480	1x (10 to 4)	1x (10 to 4)	1x (10 to 4)	1x (10 to 4)	1x (10 to 4)	1x (10 to 4)	1x (10 to 4)	1x (8 to 4)	1x (8 to 4)	1x (6 to 4)
600	1x (10 to 4)	1x (10 to 4)	1x (10 to 4)	1x (10 to 4)	1x (10 to 4)	1x (10 to 4)	1x (10 to 4)	1x (10 to 4)	1x (8 to 4)	1x (8 to 4)

HP Voltage	75	100	125	150	200	250	300	350	400	450	500
208	1x (2/0 to 3/0)	1x (3/0 to 300)	1x (250 to 300)	2x (1/0 to 300)	2x (3/0 to 350)	-----	-----	-----	-----	-----	-----
220 to 240	1x (1/0 to 2/0)	1x (3/0)	1x (4/0 to 300)	1x (300)	2x (2/0 to 300)	2x (4/0 to 350)	-----	-----	-----	-----	-----
380 to 416	1x (4 to 2/0)	1x (2 to 2/0)	1x (1/0 to 2/0)	1x (2/0 to 3/0)	1x (4/0 to 300)	1x (300)	2x (2/0 to 300)	2x (3/0 to 300)	2x (4/0 to 350)	2x (4/0 to 350)	-----
440 to 480	1x (4 to 2/0)	1x (3 to 2/0)	1x (2 to 2/0)	1x (1/0 to 3/0)	1x (2/0 to 3/0)	1x (4/0 to 300)	1x (300)	2x (1/0 to 300)	2x (2/0 to 300)	2x (3/0 to 350)	2x (4/0 to 350)
600	1x (6 to 4)	1x (4)	1x (3 to 2/0)	1x (2 to 2/0)	1x (1/0 to 3/0)	1x (2/0 to 3/0)	1x (4/0 to 300)	1x (250 to 300)	1x (300)	2x (1/0 to 300)	2x (2/0 to 300)

ALUMINUM CONDUCTORS for Contactor (1M-2M).

Field Wiring According to Bending Space (AWG or MCM). Terminals T1-T2-T3-T4-T5-T6-T7-T8-T9

HP Voltage	5	7.5	10	15	20	25	30	40	50	60
208	1x (12 to 2/0) **	1x (10 to 2/0) **	1x (10 to 2/0) **	1x (8 to 2/0) **	1x (6 to 2/0) **	1x (4 to 2/0) **	1x (4 to 2/0) **	1x (2 to 2/0)	1x (1/0 to 2/0)	1x (2/0)
220 to 240	1x (12 to 2/0) **	1x (10 to 2/0) **	1x (10 to 2/0) **	1x (8 to 2/0) **	1x (8 to 2/0) **	1x (6 to 2/0) **	1x (4 to 2/0) **	1x (2 to 2/0) **	1x (1 to 2/0)	1x (1/0 to 2/0)
380 to 416	1x (12 to 2/0) **	1x (12 to 2/0) **	1x (12 to 2/0) **	1x (10 to 2/0) **	1x (10 to 2/0) **	1x (8 to 2/0) **	1x (8 to 2/0) **	1x (6 to 2/0) **	1x (4 to 2/0) **	1x (3 to 2/0) **
440 to 480	1x (12 to 2/0) **	1x (12 to 2/0) **	1x (12 to 2/0) **	1x (12 to 2/0) **	1x (10 to 2/0) **	1x (10 to 2/0) **	1x (8 to 2/0) **	1x (8 to 2/0) **	1x (6 to 2/0) **	1x (4 to 2/0) **
600	1x (12 to 2/0) **	1x (12 to 2/0) **	1x (12 to 2/0) **	1x (12 to 2/0) **	1x (10 to 2/0) **	1x (10 to 2/0) **	1x (10 to 2/0) **	1x (8 to 2/0) **	1x (8 to 2/0) **	1x (6 to 2/0) **

HP Voltage	75	100	125	150	200	250	300	350	400	450	500
208	1x (3/0)	Consult Factory	1x (300) 90°C *	2x (3/0 to 300)	2x (250 to 350)	-----	-----	-----	-----	-----	-----
220 to 240	1x (2/0) 90°C *	Consult Factory	1x (300)	1x (300) 90°C *	2x (4/0 to 300)	2x (300 to 350)	-----	-----	-----	-----	-----
380 to 416	1x (2 to 2/0)	1x (1/0 to 2/0)	1x (1/0 to 2/0)	1x (3/0) 90°C *	1x (300)	1x (300) 90°C *	2x (4/0 to 300)	2x (250 to 300)	2x (300 to 350)	2x (300 to 350)	-----
440 to 480	1x (3 to 2/0) **	1x (2 to 2/0)	1x (2/0) 90°C *	1x (2/0 to 3/0)	1x (3/0) 90°C *	1x (300)	1x (300) 90°C *	2x (3/0 to 300)	2x (4/0 to 300)	2x (250 to 350)	2x (300 to 350)
600	1x (4 to 2/0) **	1x (3 to 2/0) **	1x (2 to 2/0)	1x (1/0 to 3/0)	1x (3/0)	1x (3/0) 90°C *	1x (300)	1x (300) 90°C *	Consult Factory	2x (3/0 to 300)	2x (4/0 to 300)

*For standard enclosure, use 90°C aluminium wire. Consult Factory for Use of Conductors Rated Lower than 90°C.

** Option V659 required.

Drawing for information only.
Manufacturer reserves the right to modify this drawing without notice.
Contact manufacturer for "As Built" drawing.



REV.	DESCRIPTION	DD/MM/YY	Drawing number
1	Removed Seismic logo (optional)	18/05/22	GPX-TD612 2/2 /E
0	First issue	22/12/20	

Electric Fire Pump Controller

Model: GPX

Terminal Diagram and Sizing

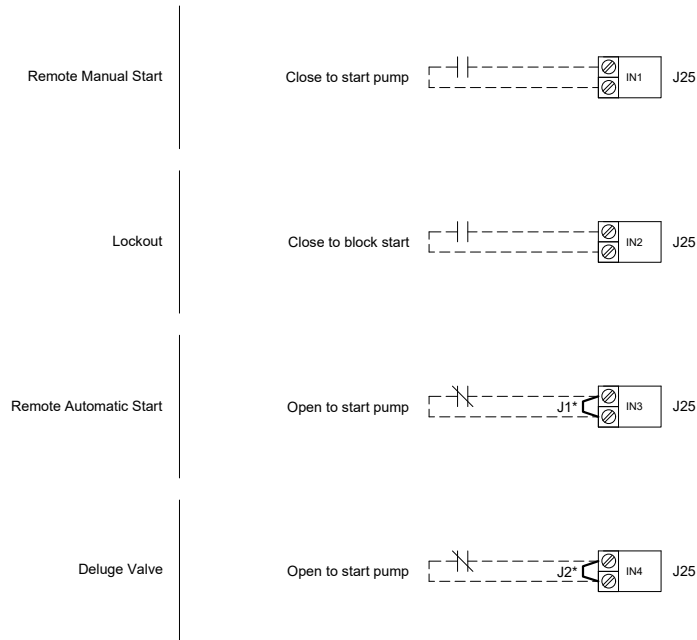
Built to the latest edition of the NFPA 20 standard

Control Terminals (EB1)

Terminals Wire Size:
24 - 12 AWG
0.5 Nm

Remote Alarm Terminals (EB1)

Terminals Wire Size:
24 - 12 AWG
0.5 Nm



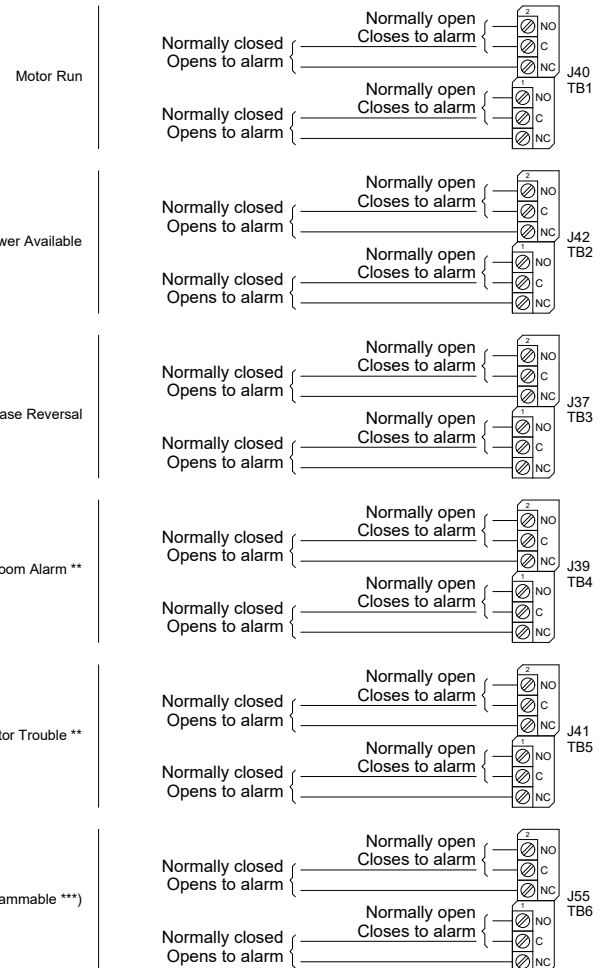
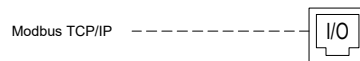
Alarm Inputs (EB1)

Terminals Wire Size:
24 - 12 AWG
0.5 Nm



Network Connection (VMB1)

Shielded Female Connector RJ45




* Remove jumper to use this feature
** Re-assignable
*** Not available on GPS models

Drawing for information only.
Manufacturer reserves the right to modify this drawing without notice.
Contact manufacturer for "As Built" drawing.



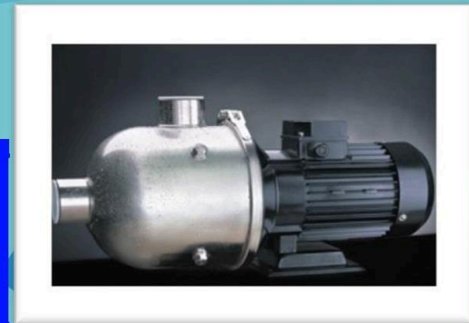
REV.	DESCRIPTION	DD/MM/YY	Drawing number
3	Removed Seismic logo (optional)	18/05/22	GPX-TD603 / E
2	Revised logo	18/06/18	
1	General Revision (added AL coverage)	10/07/17	

	Vendor Ref. No.	
	Contractor Ref. No.	
Project Name:	Contractor Job No.	

JOCKEY PUMP

<i>0</i>	<i>SUBMITTED FOR APPROVAL</i>				
Rev	Description	Prepared	Checked	Approved	Date

PACIFIC STAINLESS STEEL WATER PUMP



HIGH PERFORMANCE PUMPS FOR ALL WATER APPLICATIONS

Product introduction

Performance range	2
Applications	3
Product range	4
Pump	5
Motor	5
Ambient temperature	5
Terminal box positions	5
Viscosity	5

Construction

RV/RVA1,2,3,4,5	6
RV/RVA10,15,20	7
RV/RVA32,45,64,90	8

Instruction and codes

Operating and inlet pressures

Max. operation pressure and liquid temperature...	10
Operation range of the shaft seal	10
Max. Inlet Pressure	11

Selection and sizing

Selection of pumps	12~14
How to read the curve charts	14
Guidelines to performance curve.....	15

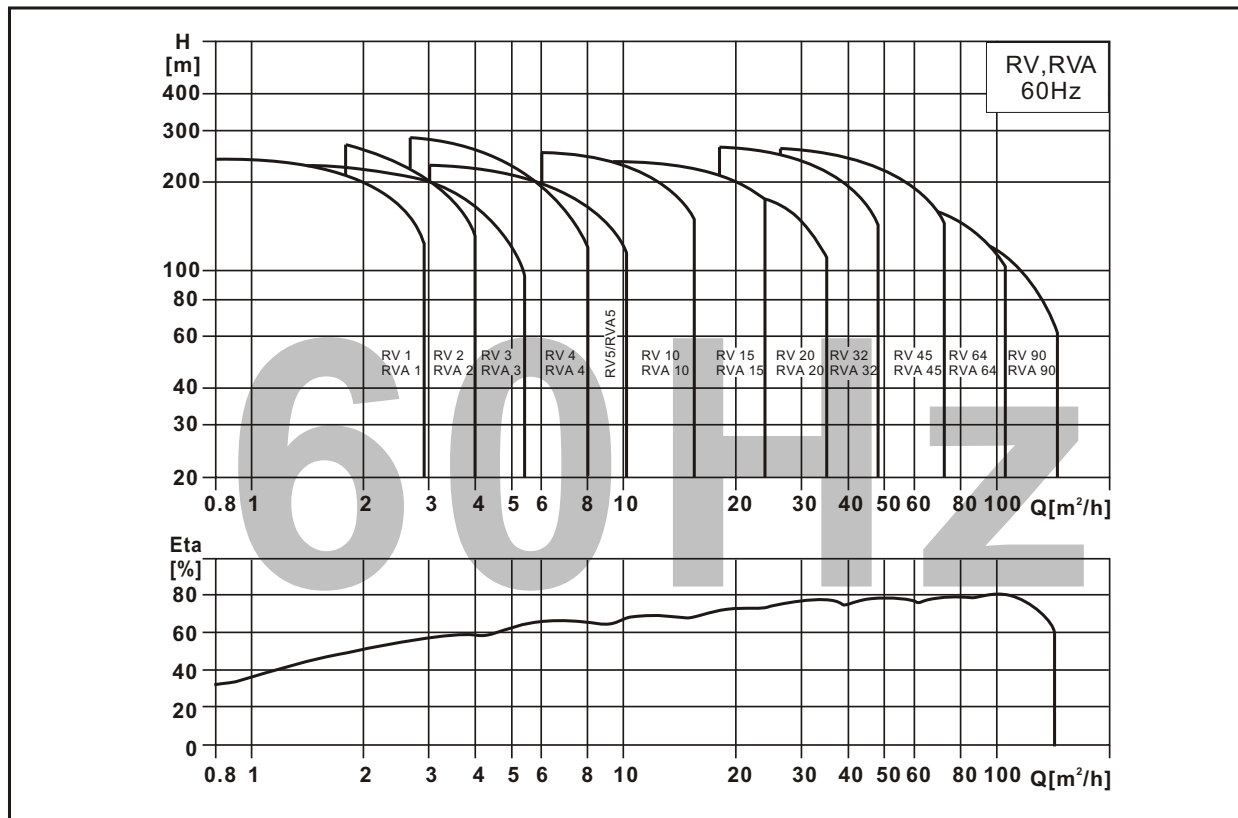
Performance Curves and Technical Data

RVA1	16~17
RV1	18~19
RVA2	20~21
RV2	22~23
RVA3	24~25
RV3	26~27
RVA4	28~29
RV4	30~31

RVA5	32~33
RV5	34~35
RVA10	36~37
RV10	38~39
RVA15	40~41
RV15	42~43
RVA20	44~45
RV20	46~47
RVA32	48~49
RV32	50~51
RVA45	52~53
RV45	54~55
RVA64	56~57
RV64	58~59
RVA90	60~61
RV90	62~64
Accessories	65~69

Product introduction

Performance range



Applications

Application	RVA	RV
Water supply		
Filtration and transfer at waterworks	●	●
Distribution from waterworks	●	●
Pressure boosting in mains	●	●
Pressure boosting in high-rise buildings, hotels, etc.	●	●
Pressure boosting for industrial water supply	●	●
Industry		
Pressure boosting		
Process water systems	●	●
Washing and cleaning systems	●	●
Vehicle washing tunnels	●	●
Fire fighting systems	●	●
Liquid transfer		
Cooling and air-conditioning systems (refrigerants)	●	●
Boiler feed and condensate systems	●	●
Machine tools (cooling lubricants)	●	●
Aquafarming	●	●
Transfer		
Oil and alcohol	●	●
Glycol and coolants	●	●
Water treatment		
Ultra-filtration systems	●	○
Reverse osmosis systems	●	○
Softening, ionising, demineralizing systems	●	○
Distillation systems	●	○
Separators	●	○
Swimming baths	●	●
Irrigation		
Field irrigation (flooding)	●	●
Sprinkler irrigation	●	●
Drip-feed irrigation	●	●

- Recommended pump model
- Option pump model

Product introduction

Vertical Multistage Centrifugal Pump

Product range

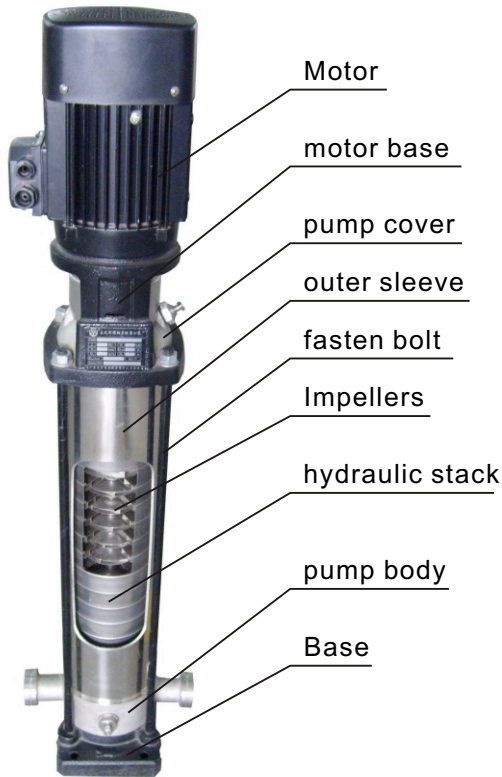
Range	RV1 RVA1	RV2 RVA2	RV3 RVA3	RV4 RVA4	RV5 RVA5	RV10 RVA10	RV15 RVA15	RV20 RVA20	RV32 RVA32	RV45 RVA45	RV64 RVA64	RV90 RVA90
Nominal rated [m ³ /h]	1	2	3	4	5	10	15	20	32	45	64	90
Temperature range [°C]	-20~+104											
Temperature on range [°C]	-40~+180								-40~+180			
Max Efficiency [%]	44	45	56	58	65	66	68	69	77	78	80	81
RVpump												
Flow range [m ³ /h]	0.7-2.4	1-3.2	1.2-4.5	2-4.8	2.5-8	5-13	9-24	10-29	14-40	20-56	30-85	40-120
Max Pressure [bar]	22	25	24	25	24	22	23	25	28	26	20	20
High Pressure on request [bar]	47	47	47	47	47	47	47	47	39	40	39	39
Motor power [kW]	0.37-2.2	0.37-3	0.37-3	0.37-4	0.37-5.5	0.37-7.5	1.1-15	1.1-18.5	1.5-30	3-45	4-45	5.5-45
Material type												
RV cast iron, S.S EN1.4301/AISI 304	●	●	●	●	●	●	●	●	●	●	●	●
RVA S.S EN1.4301/AISI 304	●	●	●	●	●	●	●	●	●	●	●	●
RVN S.S EN1.4401/AISI 316	●	●	●	●	●	●	●	●	●	●	●	●
RVpump pipe connection												
Flange	DN25 DN32	DN25 DN32	DN25 DN32	DN25 DN32	DN25 DN32	DN40	DN50	DN50	DN65	DN80	DN100	DN100
Flange on request	-	-	-	-	-	DN50	DN65	DN65	DN80	DN100	DN125	DN125
RVA/RV pump pipe connection												
column pipe thread★	G1 G1¼	G1 G1¼	G1 G1¼	G1 G1¼	G1 G1¼	G1½ G2	G2½	G2½	-	-	-	-
column pipe thread on request★	G1½	G1½	G1½	G1½	G1½	-	G2	G2	-	-	-	-
Flange	DN25 DN32	DN25 DN32	DN25 DN32	DN25 DN32	DN25 DN32	DN40	DN50	DN50	DN65	DN80	DN100	DN100
Flange on request	-	-	-	-	-	DN50	DN65	DN65	DN80	DN100	DN125	DN125
Cutting ferrule joint [PJE] ★	G1¼ DN32	G1¼ DN32	G1¼ DN32	G1¼ DN32	G1¼ DN32	G2 DN50	G2 DN50	G2 DN50	-	-	-	-

★NPT thread are on request

Pump

RVA and RV are non-self priming vertical multistage centrifugal pump, the pumps are available with standard motor, the inlet and outlet are located at the pump bottom at the same plane (inline type). All pumps are equipped with a maintenance-free mechanical seal set of the cartridge type.

Fig.1 RVA



Motor

RVA and RV are fitted with a totally enclosed, fan-cooled, 2-pole, three-phase standard motor. From 0.37kW to 2.2kW, are also available with single-phase motor. (1*220-230V/240V).

Motor Protection

Single-phase motor have a built-in thermal overload switch. Three-phase motors must be connected to a motor protective circuit breaker according to local regulations.

Ambient temperature

Ambient temperature: maximum +40°C, if the ambient temperature exceeds +40°C, or the pump is installed at an altitude exceeding 1000 meters, the motor must not be fully loaded due to the risk of overheating. Overheating may result from excessive ambient temperatures or the low density and consequently low cooling effect of the air. In such cases, it may be necessary to use a motor with a higher rated output.

Terminal box positions

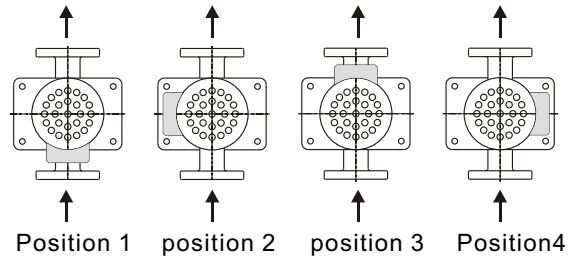
As standard the terminal box is mounted on the suction side of the pump, meanwhile, 0°, 90°, 180°, 270° could be adjusted according to the following proceeding:

1. If necessary, disassembling the protective cover of the shaft connector, but did not disassembling the shaft connector.
2. Disassembling the motor fixation screws.
3. Turn the motor to the required direction.
4. Fasten the motor screws.
5. Install the shaft connector's protective cover.

The voltage and frequency are marked on the label, the correct power should be confirm with the label before usage.

To ensure the electric connection is conformity to the drawing marked on the label inside the terminal box.

Fig2. Terminal box positions

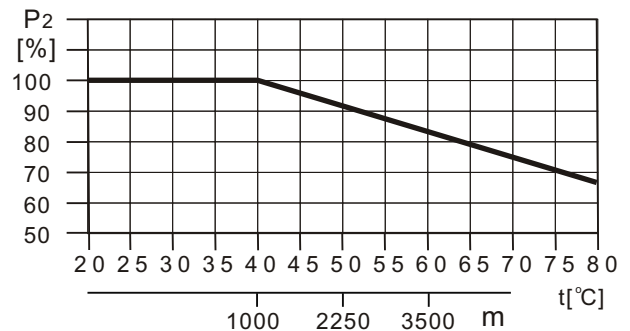


Viscosity

The pumping of liquids with densities or kinematic viscosities higher than those of water will cause a considerable pressure drop, a drop in the hydraulic performance and a rise in the power consumption.

In such situations the pump should be fitted with a larger motor, if in doubt.

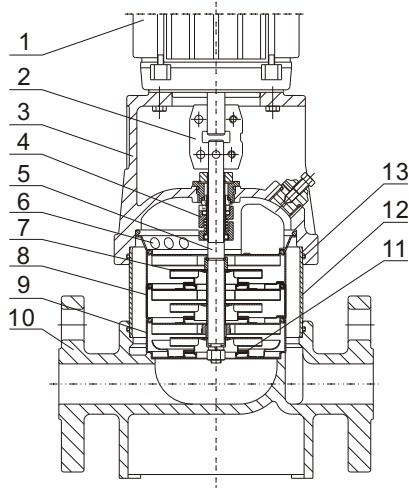
Fig.3 Relationship between motor output (P2) and temperature



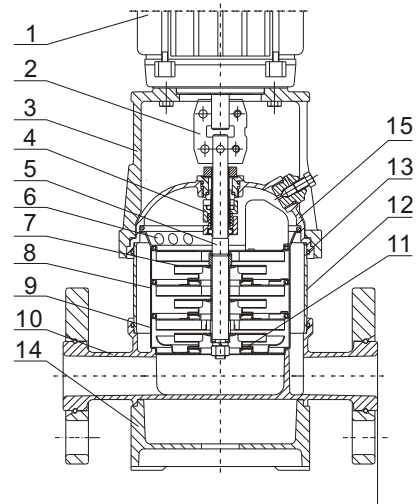
Example:

From the Fig.3, the pump is installed at an altitude exceeding altitude 3500 meters, P2 will decrease to 88%, if the ambient temperature is up to 70°C, P2 will decrease to 78%.

RV1,2,3,4,5
Sectional drawing



RVA1,2,3,4,5
Sectional drawing



Material RV

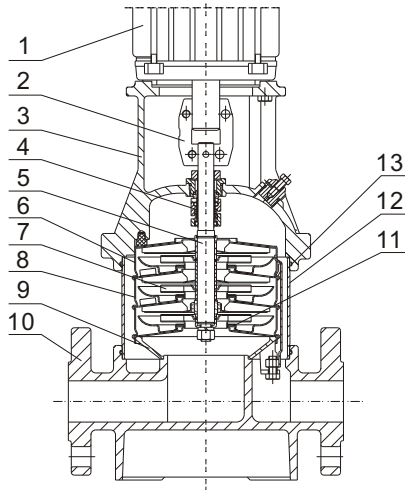
No.	Description	Material	EN/DIN	AISI/ASTM
1	Motor			
2	Shaft connector			
3	Pump head	Castiron	EN-JL1030	ASTM25B
4	Mechanical seal			
5	Shaft	S.S		AISI420
6	Outlet	S.S	1.4301	AISI304
7	Impeller	S.S	1.4301	AISI304
8	Hydraulic stack	S.S	1.4301	AISI304
9	Inlet	S.S	1.4301	AISI304
10	Pump body	Castiron	EN-JL1030	ASTM25B
11	Neck ring	PTFE		
12	Outer sleeve	S.S	1.4301	AISI304
13	O-ring	EPDM/FKM		

Material RVA

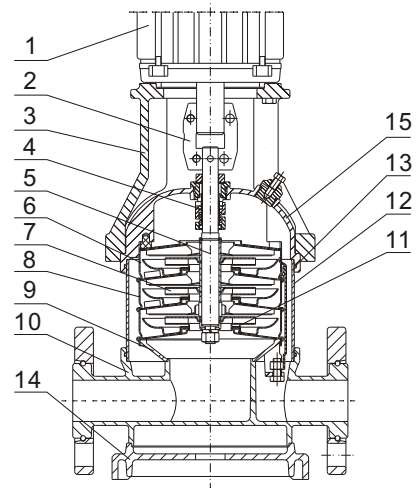
No.	Description	Material	EN/DIN	AISI/ASTM
1	Motor			
2	Shaft connector			
3	Pump head	Castiron	EN-JL1030	ASTM25B
4	Mechanical seal			
5	Shaft	S.S	1.4057	AISI431
6	Outlet	S.S	1.4301	AISI304
7	Impeller	S.S	1.4301	AISI304
8	Hydraulic stack	S.S	1.4301	AISI304
9	Inlet	S.S	1.4301	AISI304
10	Pump body	S.S	1.4301	AISI304
11	Neck ring	PTFE		
12	Outer sleeve	S.S	1.4301	AISI304
13	O-ring	EDM/FKM		
14	Bottom base	Castiron	EN-JL1030	ASTM25B
15	Pump cover	S.S	1.4301	AISI304

Construction

RV10,15,20
Sectional drawing



RVA10,15,20
Sectional drawing



Material RV

No.	Description	Material	EN/DIN	AISI/ASTM
1	Motor			
2	Shaft connector			
3	Pump head	Cast iron	EN-JL1030	ASTM25B
4	Mechanical seal			
5	Shaft	S.S		AISI420
6	Outlet	S.S	1.4301	AISI304
7	Impeller	S.S	1.4301	AISI304
8	Hydraulic stack	S.S	1.4301	AISI304
9	Settled cover	S.S	1.4301	AISI304
10	Pump body	Cast iron	EN-JL1030	ASTM25B
11	Neck ring	PTFE		
12	Outer sleeve	S.S	1.4301	AISI304
13	O-ring	EPDM/FKM		

Material RVA

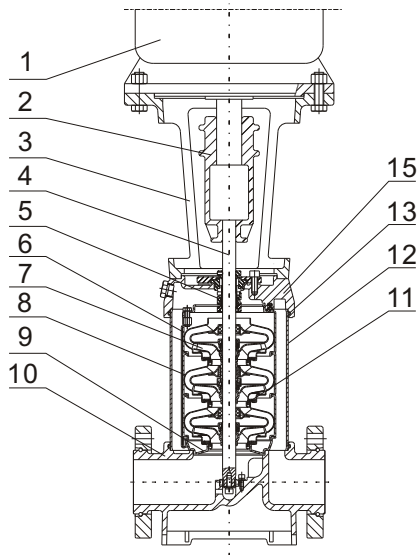
No.	Description	Material	EN/DIN	AISI/ASTM
1	Motor			
2	Shaft connector			
3	Pump head	Cast iron	EN-JL1030	ASTM25B
4	Mechanical seal			
5	Shaft	S.S	1.4057	AISI431
6	Outlet	S.S	1.4301	AISI304
7	Impeller	S.S	1.4301	AISI304
8	Hydraulic stack	S.S	1.4301	AISI304
9	Settled cover	S.S	1.4301	AISI304
10	Pump body	S.S	1.4301	AISI304
11	Neck ring	PTFE		
12	Outer sleeve	S.S	1.4301	AISI304
13	O-ring	EPDM/FKM		
14	Bottom base	Cast iron	EN-JL1030	ASTM25B
15	Pump cover	S.S	1.4301	AISI304

Construction

Vertical Multistage Centrifugal Pump

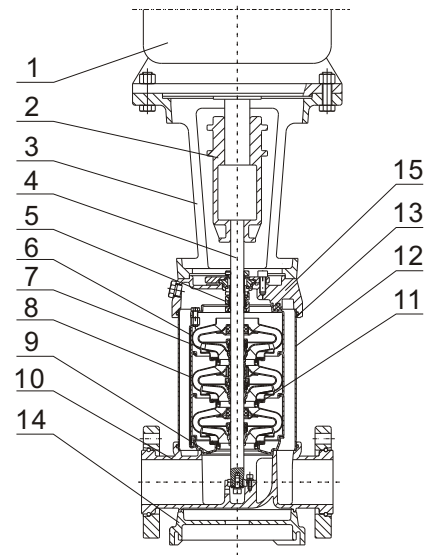
RV32,45,64,90

Sectional drawing



RVA32,45,64,90

Sectional drawing



Material RV

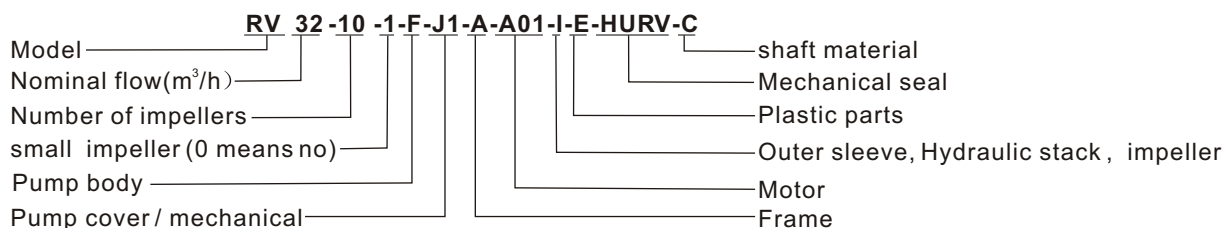
No.	Description	Material	EN/DIN	AISI/ASTM
1	Motor			
2	Shaft connector			
3	Pump head	Cast iron	EN-JL1030	ASTM25B
4	Shaft	S.S		AISI420
5	Mechanical sea			
6	Outlet	S.S	1.4301	AISI304
7	Impeller	S.S	1.4301	AISI304
8	Hydraulic stack	S.S	1.4301	AISI304
9	Inlet	S.S	1.4301	AISI304
10	Pump body	Cast iron	EN-JL1030	ASTM25B
11	Neck ring	PTFE		
12	Outer sleeve	S.S	1.4301	AISI304
13	O-ring	EPDM/FKM		
14	Pump cover	Cast iron	EN-JL1030	ASTM25B

Material RVA

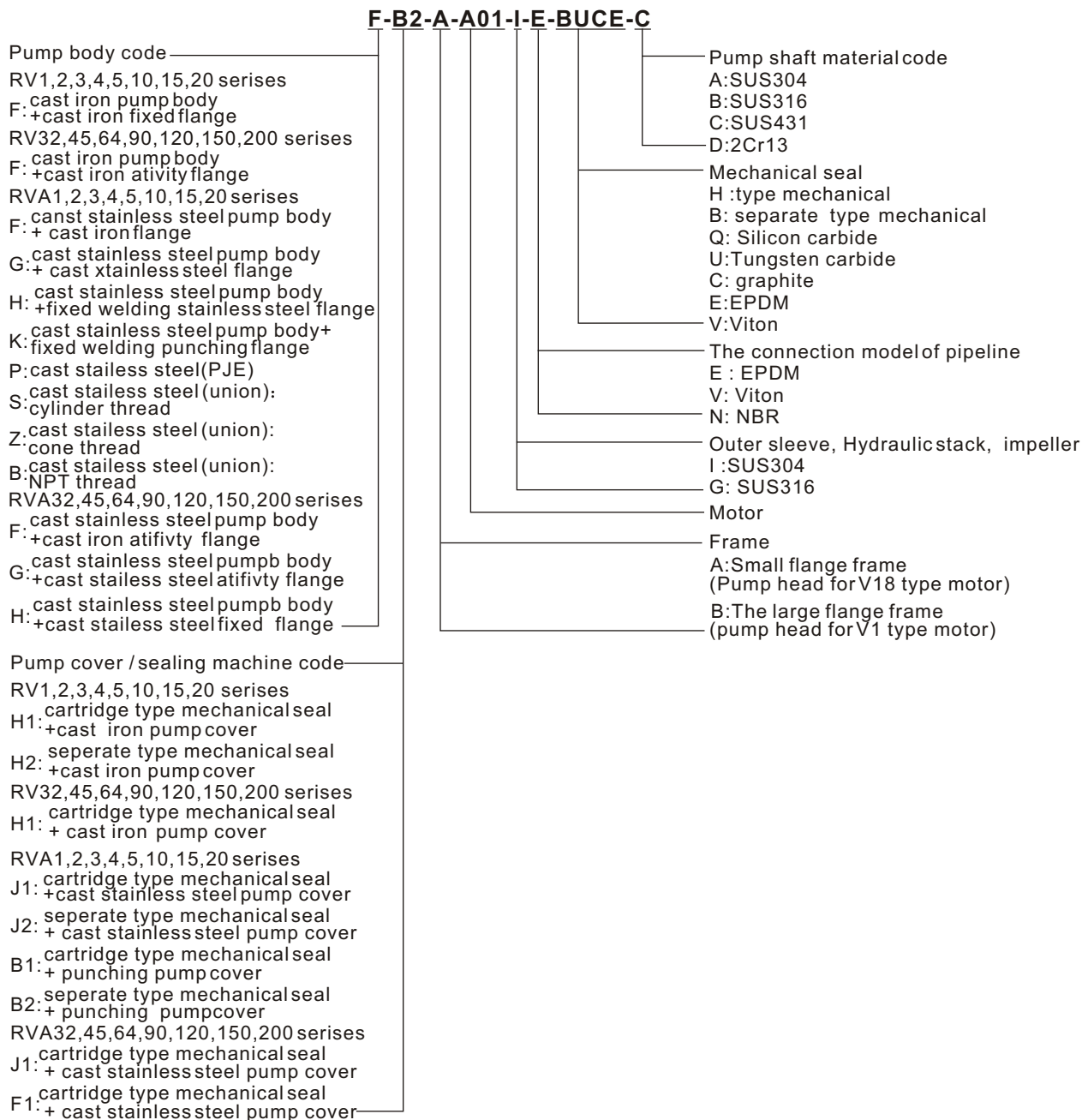
No.	Description	Material	EN/DIN	AISI/ASTM
1	Motor			
2	Shaft connector			
3	Pump head	Cast iron	EN-JL1030	ASTM25B
4	Shaft	S.S	1.4057	AISI431
5	Mechanical seal			
6	Outlet	S.S	1.4301	AISI304
7	Impeller	S.S	1.4301	AISI304
8	Hydraulic stack	S.S	1.4301	AISI304
9	Inlet	S.S	1.4301	AISI304
10	Pump body	S.S	1.4301	AISI304
11	Neck ring	PTFE		
12	Outer sleeve	S.S	1.4301	AISI304
13	O-ring	EPDM/FKM		
14	Bottom base	Cast iron	EN-JL1030	ASTM25B
15	Pump cover	S.S	1.4301	AISI304

Model instruction

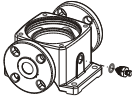
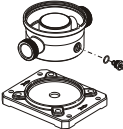
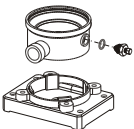
RV/RVA1,2,3,4,5,10,15 and 20... ..



Codes



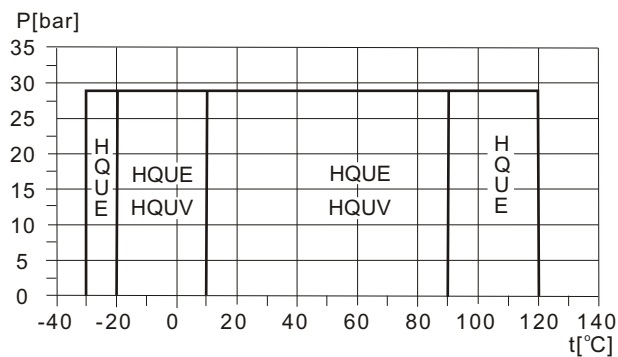
Maximum operating pressure and temperature range

	DIN-FGJ	UNION	PJE
			
	Max. permissible operating pressure		Liquid temperature range
RV,RVA1	25bar		-20 °C to +104 °C
RV,RVA2	25bar		-20 °C to +104 °C
RV,RVA3	25bar		-20 °C to +104 °C
RV,RVA4	25bar		-20 °C to +104 °C
RV,RVA5	25bar		-20 °C to +104 °C
RV,RVA10-1→RV,RVA10-10	16bar		-20 °C to +104 °C
RV,RVA10-12→RV,RVA10-17	25bar		-20 °C to +104 °C
RV,RVA15-1→RV,RVA15-8	16bar		-20 °C to +104 °C
RV,RVA15-9→RV,RVA15-12	25bar		-20 °C to +104 °C
RV,RVA20-1→RV,RVA20-7	16bar		-20 °C to +104 °C
RV,RVA20-8 →RV,RVA20-10	25bar		-20 °C to +104 °C
RV,RVA32-1-1→RV,RVA32-5	16bar		-20 °C to +104 °C
RV,RVA32-6-2→RV,RVA32-8	25bar		-20 °C to +104 °C
RV,RVA32-9-2→RV,RVA32-10-2	30bar		-20 °C to +104 °C
RV,RVA45-1-1→RV,RVA45-4	16bar		-20 °C to +104 °C
RV,RVA45-5-2→RV,RVA45-6-1	25bar		-20 °C to +104 °C
RV,RVA45-6→RV,RVA45-7	30bar		-20 °C to +104 °C
RV,RVA64-1-1→RV,RVA64-3	16bar		-20 °C to +104 °C
RV,RVA64-4-2→RV,RVA64-5-2	25bar		-20 °C to +104 °C
RV,RVA90-1-1→RV,RVA90-3	16bar		-20 °C to +104 °C
RV,RVA90-4-2	25bar		-20 °C to +104 °C

Operating range of the shaft seal

The operating range of the shaft seal depends on operating pressure, pump type, type of shaft seal and liquid temperature. The range shown in fig 4. Applies to cleanwater and water with glycol liquids.

Fig.4 Operating range of standard shaft seals



maximum inlet pressure

The following table shows the maximum permissible inlet pressure. However, the actual inlet pressure the pressure against a closed valve must always be lower than the maximum permissible operating pressure. If the maximum permissible operating pressure is exceeded, the bearing in the motor may be damaged and the life of the shaft seal reduced.

RV,RVA 1 RV,RVA1-2 → RV,RVA1-25 RV,RVA1-27	10bar 15bar
RV,RVA 2 RV,RVA2-2 → RV,RVA2-26	10bar
RV,RVA 3 RV,RVA3-2 → RV,RVA3-15 RV,RVA3-17 → RV,RVA3-25	10bar 15bar
RV,RVA 4 RV,RVA4-2 → RV,RVA4-22	15bar
RV,RVA 5 RV,RVA5-2 → RV,RVA5-9 RV,RVA5-10 → RV,RVA5-24	10bar 15bar
RV,RVA 10 RV,RVA10-1 → RV,RVA10-5 RV,RVA10-6 → RV,RVA10-17	8bar 10bar
RV,RVA 15 RV,RVA 15-1 → RV,RVA 15-2 RV,RVA 15-3 → RV,RVA 15-12	8bar 10bar
RV,RVA20 RV,RVA20-1 RV,RVA20-2 → RV,RVA20-10	8bar 10bar
RV,RVA 32 RV,RVA32-1-1 → RV,RVA32-2 RV,RVA32-3-2 → RV,RVA32-6 RV,RVA32-7-2 → RV,RVA32-10-2	4bar 10bar 15bar
RV,RVA 45 RV,RVA45-1-1 → RV,RVA45-1 RV,RVA45-2-2 → RV,RVA45-3 RV,RVA45-4-2 → RV,RVA45-7	4bar 10bar 15bar
RV,RVA 64 RV,RVA64-1-1 RV,RVA64-1 → RV,RVA64-2-1 RV,RVA64-2 → RV,RVA64-5-2	4bar 10bar 15bar
RV,RVA 90 RV,RVA90-1-1 → RV,RVA90-2-2 RV,RVA90-2-1 → RV,RVA90-4-2	10bar 15bar

Example of operating and inlet pressures :

The values for operating and inlet pressures shown in the table must not be considered individually but must always be compared, see the following examples.

Example 1:

pump model:RVA-5-20-A-FGJ-E-HQUE

Max.operating pressure:25bar

Max.inlet pressure:15bar

discharge pressure against a closed valve:

13.7bar, see page 31.

the pump is not allowed to start at an inlet pressure of 15 bar, but at an inlet pressure of $25-13.7=11.3$ bar.

Example 2:

MODEL:RVA15-3-A-P-E-HQUE

Max.operating pressure:16bar

Max.inlet pressure:8bar

discharge pressure against a closed valve:

4.2bar, see page 39 curves chart.

This pump is allowed to start at an inlet pressure of 6bar, as the discharge pressure against a closed valve is only 4.2bar, which results in an operating pressure of $6+4.2=10.2$ bar. On the contrary, the max. Operating pressure of this pump limited to 12.2bar, as a higher operating pressure bigger than 8bar will require on the Inlet.

selection of pumps

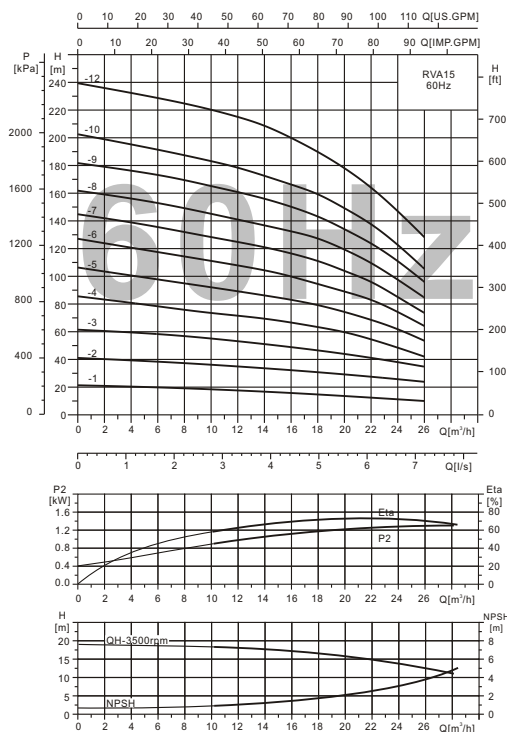
selection of pumps should be based on:

- the duty point of the pump(see page12).
- dimensional data such as pressure loss as a
- result of height differences,friction loss in the pipework,pump efficiency etc.(see page12).
- pump materials(see page6,7,8)
- pump connections(see page13)
- shaft seal(see page13)

1. Duty point of the pump

From a duty point it is possible to select a pump on the basis of the curve charts shown in "performance curves/technical" data.

Fig.5 example of curve chart



2. dimensional data

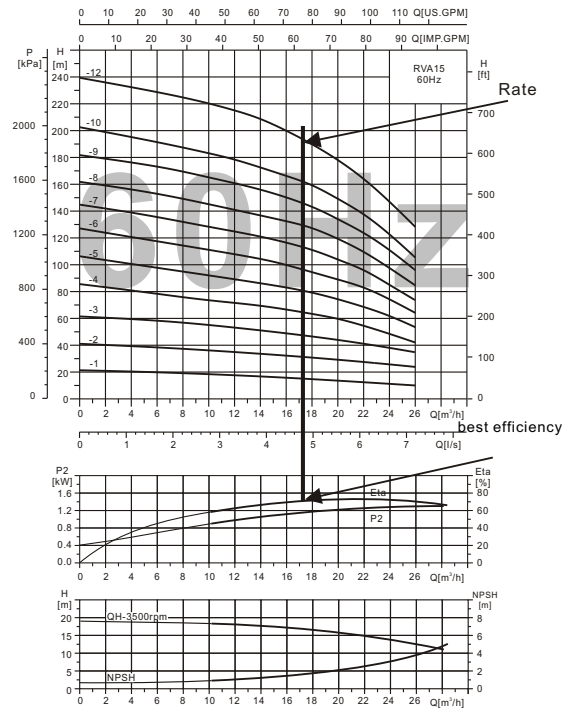
When sizing a pump the following must be taken into accounting:

- Required flow and pressure at the draw-off point.
- Pressure loss as a result of height differences(H_{geo}).
- Friction loss in the pipework(H_f) It may.
- Best efficiency at the estimated duty point.
- NPSH value.
- For calculation of the NPSH value, see corresponding curves chart.

pump efficiency

Before determining the best efficiency point, the operation pattern of the pump needs to be identified. If the pump expected to operate as the same duty point, then select a RVA pump which is operating at a duty point corresponding with the best efficiency of the pump.

Fig.6 example of duty point



As the pump is sized on the basis of the highest possible flow, it is important always to have the duty point to the right on the efficiency curve (eta) in order to keep efficiency high when the flow drops.

Fig.7 best efficiency

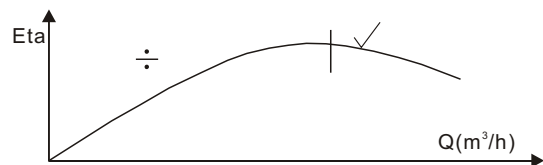
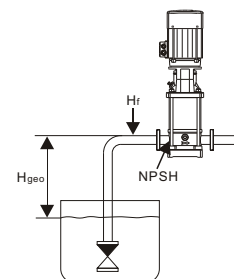


Fig.8 dimensional data



3. pump material

The material variant(RV,RVA)should be selected based of the liquid to be pump.
 RVA wetted parts are made of AISI304.
 RV pump body is made of cast-iron and .
 Wetted parts are made of AISI304.

4. Pump connections

selection of pump connection depend on the rated pressure and pipework. To meet any requirement the RV, RVA pump offer a wide range of flexible connection such as:

- DIN frange.
- PJE coupling.
- union connection.
- Other connections on request.

5.shaft seal

As standard, the RV AND RVA range is fitted with a cartridge type suitable for themost common applications. The following key parameters must be taken into account ,when selecting the shaft seal:

- type of pumped liquid.
- liquid temperature and
- maximum pressure.

Inlet pressure and operating pressure

The limit values stated on page 10 and page 11 must not be exceeded as regards

- maximum inlet pressure and
- maximum operating pressure.

Fig. 9 RV pump

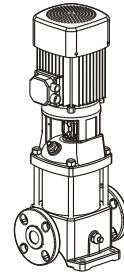


Fig. 10 pump connections

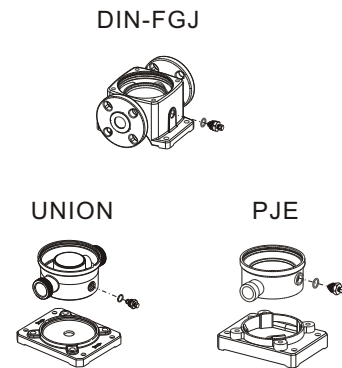


Fig.11 Shaft seal (cartridge type)

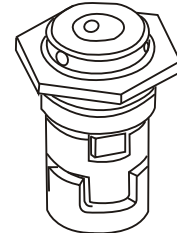
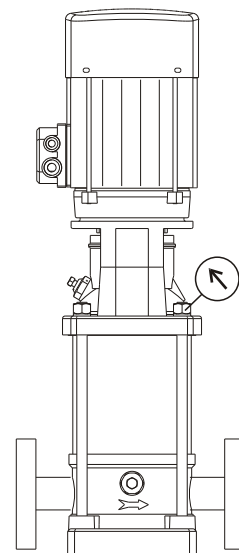
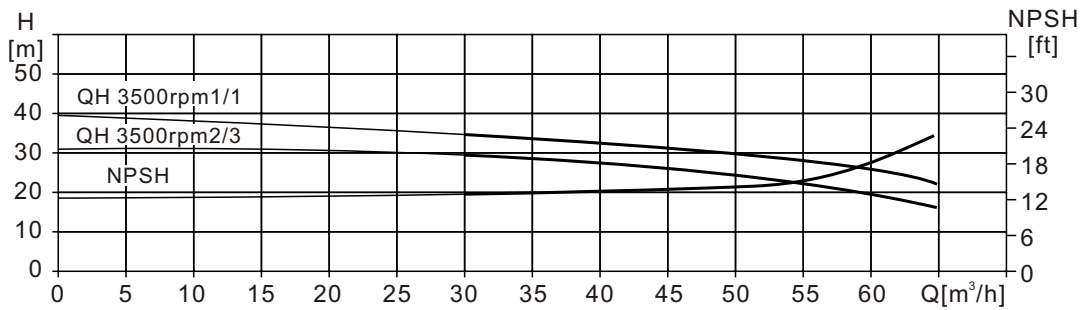
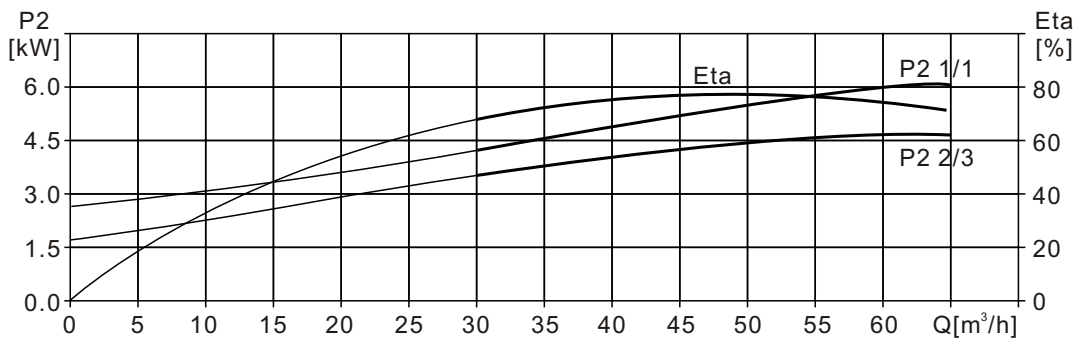
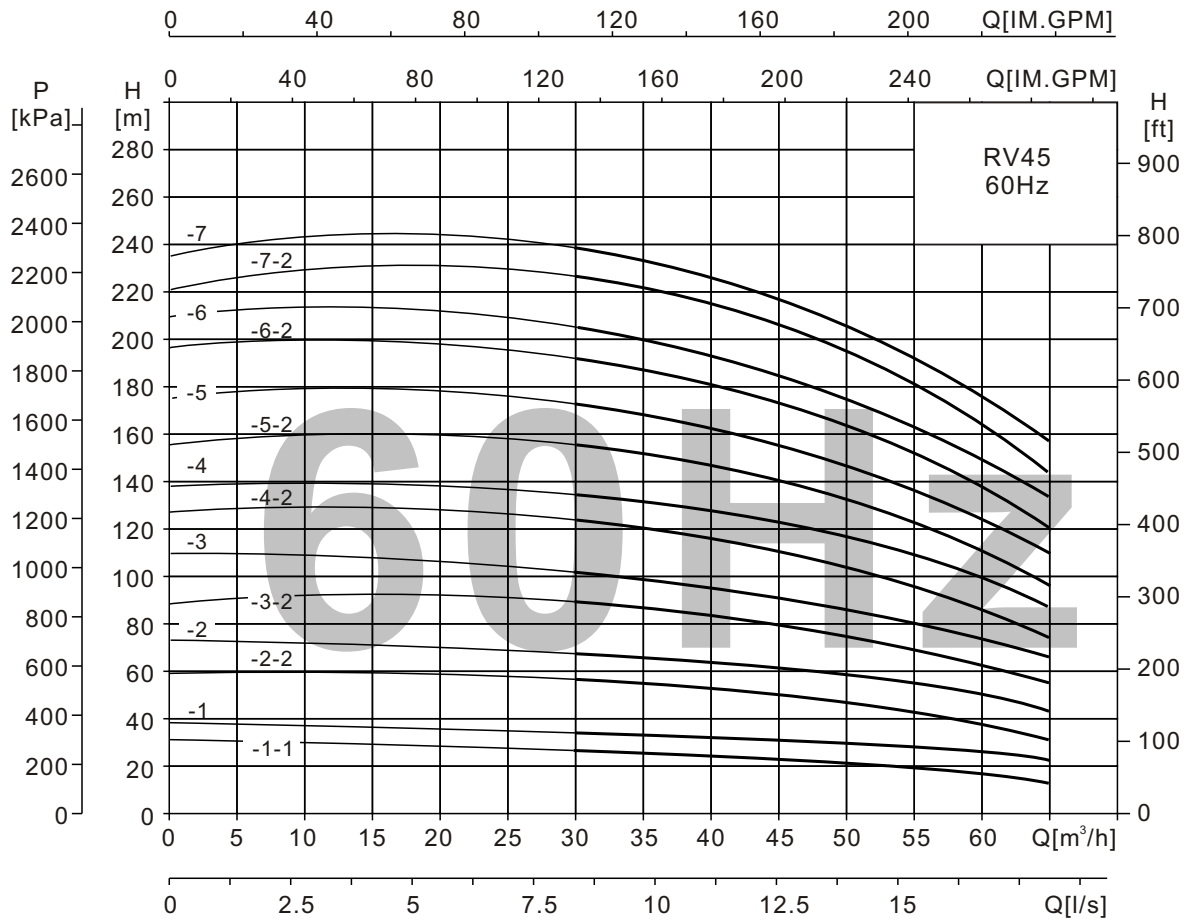


Fig.12 Inlet pressure and operating pressure



Performance Curve

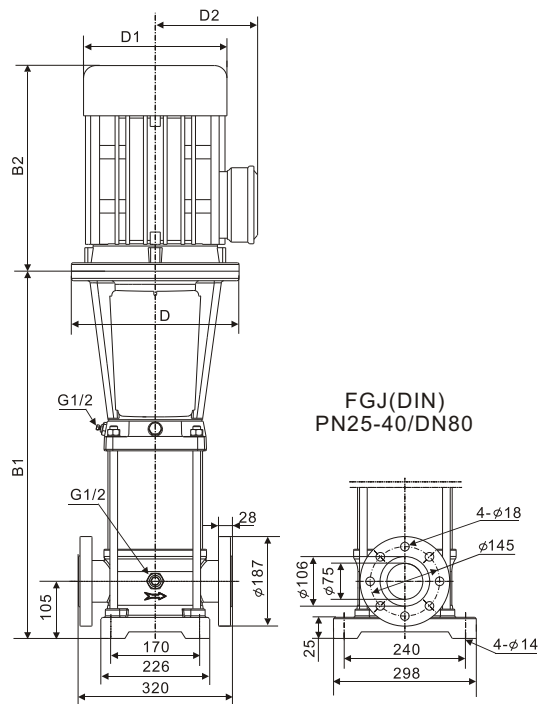
RV45-60Hz



Performance Table

Model	Power P ₂ (kW)	Q (m ³ /h)	30	35	40	42	45	50	55	60	65
RV45-1-1	5.5	H (m)	29	25	27	26	25	23	21	19	16
RV45-1	7.5		34	33	32	31.5	30	29	27	25	22
RV45-2-2	11		57	55	53	52	49	46	43	38	33
RV45-2	15		69	67	65	63	61	59	55	50	44
RV45-3-2	18.5		90	88	85	83	80	75	72	63	55
RV45-3	18.5		102	100	97	95	92	88	82	76	68
RV45-4-2	22		125	121	118	115	112	105	98	89	78
RV45-4	30		136	133	129	126	123	117	112	102	89
RV45-5-2	30		159	154	149	146	142	134	121	115	99
RV45-5	30		171	166	161	158	154	145	138	126	112
RV45-6-2	37		194	188	182	178	173	163	155	139	122
RV45-6	37		205	200	193	190	186	176	166	152	134
RV45-7-2	45		227	220	213	210	205	193	182	165	144
RV45-7	45		239	232	226	221	216	204	194	178	157

Installation sketches



Dimensions and weights

Model	Dimensions(mm)						Weight (kg)
	B1	B2	B1+B2	D	D1	D2	
RV45-1-1	561	430	992	300	260	208	108
RV45-1	561	430	992	300	260	208	113
RV45-2-2	748	490	1238	350	330	255	154
RV45-2	748	490	1238	350	330	255	187
RV45-3-2	828	550	1378	350	330	255	201
RV45-3	828	550	1378	350	330	255	201
RV45-4-2	908	590	1498	350	360	285	258
RV45-4	908	660	1568	400	420	310	336
RV45-5-2	988	660	1648	400	420	310	341
RV45-5	988	660	1648	400	420	310	341
RV45-6-2	1068	660	1728	400	420	310	365
RV45-6	1068	660	1728	400	420	310	365
RV45-7-2	1148	700	1848	450	670	345	435
RV45-7	1148	700	1848	450	470	345	435

Minimum inlet pressure-NPSH

Calculation of the inlet pressure "H" is recommended in these situations :

- the liquid temperature is high.
 - the flow is significantly higher than the rated flow.
 - water is drawn from depths.
 - water is drawn through long pipes.
- inlet conditions are poor. to avoid cavitation, make sure that there is a minimum pressure on the suction side of the pump.

The maximum suction lift "H" in metres head can be calculated as follows:

$$H = P_b * 10.2 - NPSH - H_f - H_v - H_s$$

P_b = Barometric pressure in bar.
(Barometric pressure can be set to 1 bar).
in closed systems, P_b indicates the system pressure in bar.

NPSH = Net positive suction Head in metres head.
(To be read from the NPSH curve at the highest flow the pump will be delivering).

H_f = Friction loss in suction pipe (unit:m).
(At the highest flow the pump will be delivering.)

H_v = Vapour pressure (unit:m).
(To be read from the vapour pressure scale).

H_s = safety margin = minimum 0.5 metres head.

If the "H" calculated is positive, the pump can operate at a suction lift of maximum "H" metres head. If the "H" calculated is negative, an inlet pressure of minimum "H" metres head is required.

Example:

$P_b = 1 \text{ bar}$
 pump model: RVA10,50Hz
 flow: $10 \text{ m}^3/\text{h}$
 NPSH (P36 reference): 2.1 metres head.
 liquid temperature: $+50^\circ\text{C}$
 H_v (reference picture 4): 1.3 metres head.
 $H = P_b * 10.2 - NPSH - H_f - H_v - H_s$
 $H = 1 * 10.2 - 2.1 - 3.0 - 1.3 - 0.5 = 3.3 \text{ (metres)}$

It means the pump can operate at a suction lift of maximum 3.3 metres head.

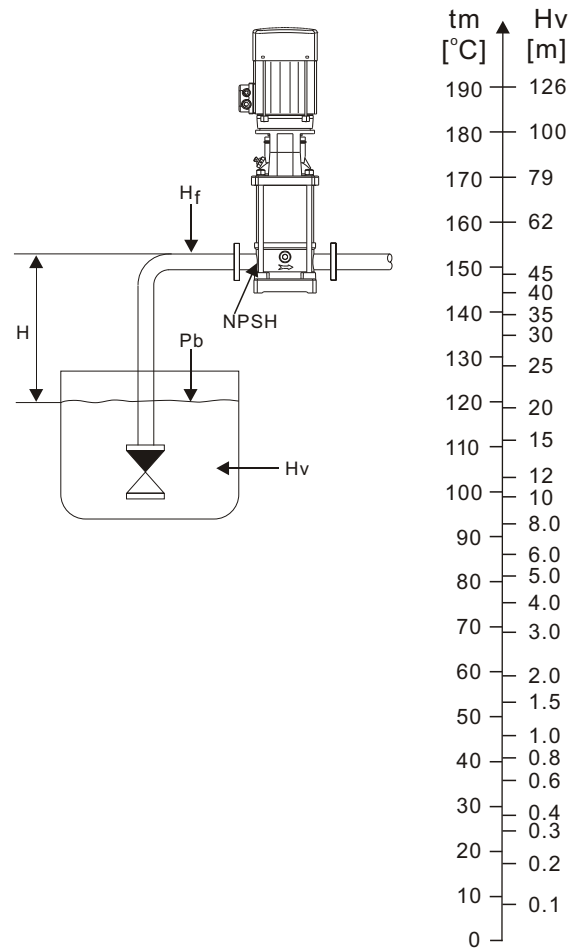
exchanged meter head to bar:

$$1 \text{ metre head} = 1 * 0.0981 = 0.0981 \text{ bar}$$

exchanged metre head to kpa:

$$1 \text{ metre head} = 1 * 9.81 = 9.81 \text{ kpa.}$$

Fig.13 Minimum inlet pressure-NPSH



Technical Data

Standard motor

Power P_2 (kW)	Voltage (V)	Current I_N (A)	Power factor $\cos \varphi$	EFFiciency (%)	I_{st}/I_N
0.37	Δ 220/Y380	Δ 1.8/Y1.0	0.78	70.0	6.2
0.55	Δ 220/Y380	Δ 2.5/Y1.5	0.81	71.0	6.4
0.75	Δ 220/Y380	Δ 3.3/Y1.9	0.82	72.0	6.5
1.1	Δ 220/Y380	Δ 4.6/Y2.7	0.82	76.5	7.2
1.5	Δ 220/Y380	Δ 6.2/Y3.6	0.83	76.8	7.3
2.2	Δ 220/Y380	Δ 8.5/Y4.9	0.84	81.1	7.5
3.0	Δ 220/Y380	Δ 11.5/Y6.7	0.84	81.5	7.5
4.0	Δ 380/Y660	Δ 8.2/Y4.7	0.88	84.2	7.5
5.5	Δ 380/Y660	Δ 11.1/Y6.4	0.88	85.7	8.1
7.5	Δ 380/Y660	Δ 14.9/Y8.6	0.88	87.0	8.3
11	Δ 380/Y660	Δ 21.2/Y12.2	0.89	88.4	8.4
15	Δ 380/Y660	Δ 28.6/Y16.5	0.89	89.4	8.5
18.5	Δ 380/Y660	Δ 34.7/Y20.0	0.90	90.0	8.5
22	Δ 380/Y660	Δ 41.0/Y23.6	0.90	90.5	8.4
30	Δ 380/Y660	Δ 55.4/Y31.9	0.90	91.4	7.5
37	Δ 380/Y660	Δ 67.9/Y39.1	0.90	92.0	7.5
45	Δ 380/Y660	Δ 82.1/Y47.3	0.90	92.5	7.5

High efficiency motor

Power P_2 (kW)	Voltage (V)	Current I_N (A)	Power factor $\cos \varphi$	EFFiciency (%)	I_{st}/I_N
0.75	Δ 220/Y380	Δ 3.1/Y1.8	0.83	77.6	6.7
1.1	Δ 220/Y380	Δ 4.2/Y2.4	0.83	82.9	7.4
1.5	Δ 220/Y380	Δ 5.6/Y3.2	0.84	84.2	7.7
2.2	Δ 220/Y380	Δ 7.9/Y4.6	0.85	85.7	7.6
3.0	Δ 220/Y380	Δ 10.4/Y6.0	0.87	86.8	7.6
4.0	Δ 380/Y660	Δ 7.9/Y4.5	0.88	87.7	7.6
5.5	Δ 380/Y660	Δ 10.7/Y6.2	0.88	88.7	7.6
7.5	Δ 380/Y660	Δ 14.5/Y8.3	0.88	89.6	7.3
11	Δ 380/Y660	Δ 21.0/Y12.1	0.88	90.6	7.4
15	Δ 380/Y660	Δ 28.3/Y16.3	0.88	91.4	7.6
18.5	Δ 380/Y660	Δ 34.8/Y20.0	0.88	91.9	7.7
22	Δ 380/Y660	Δ 41.2/Y23.7	0.88	92.3	7.6
30	Δ 380/Y660	Δ 55.8/Y32.1	0.88	92.9	7.1
37	Δ 380/Y660	Δ 68.4/Y39.4	0.88	93.4	7.1
45	Δ 380/Y660	Δ 83.0/Y47.8	0.88	93.6	7.1

Remark: Special motor is available on request.

Pipe connection

Various sets of counter flanges and couplings are available.

Counter flange for RV series

A set consists of one counter flange, one gasket, bolts and nuts.

(Remarks: The above accessories are not necessary for pumps, there will be extra charge for them if needed)

counter flange	pump type	description	rated pressure	pipe work Connection	product Number
	RV1 RV2 RV3 RV4 RV5	Threaded	16 bar, EN 1092-2	G1	
		For welding	25 bar, EN 1092-2	25mm, nominal	
		Threaded	16 bar, EN 1092-2	G1 ¹ / ₄	
		For welding	25 bar, EN 1092-2	32mm, nominal	
		<hr/>			
	RV10	Threaded	16 bar, EN 1092-2	G1 ¹ / ₂	
			16 bar, EN 1092-2	G2	
		For welding	25 bar, EN 1092-2	40mm, nominal	
		For welding	40bar, special flange	50mm, nominal	
		<hr/>			
	RV15 RV20	Threaded	16 bar, EN 1092-2	G2	
		Threaded	16bar, special flange	G2 ¹ / ₂	
		Threaded	16bar, special flange	G2 ¹ / ₂	
		For welding	25 bar, EN 1092-2	50mm, nominal	
		For welding	40bar, special flange	65mm, nominal	
<hr/>					
	RV32	Threaded	16 bar, EN 1092-2	G2 ¹ / ₂	
		Threaded	16bar, special flange	G3	
		For welding	16 bar, EN 1092-2	65mm, nominal	
		For welding	40 bar, DIN 2635	65mm, nominal	
		For welding	16bar, special flange	80mm, nominal	

Accessories

Vertical multistage centrifugal pumps

counter flange	pump type	description	rated pressure	pipe work Connection	product Number
	RV45	Threaded	16 bar	G3	
		For welding	16 bar	80mm,nominal	
		For welding	40 bar	80mm,nominal	
	RV64 RV90	Threaded	16 bar	G4	
		For welding	16 bar	100mm,nominal	
		For welding	25 bar	100mm,nominal	

Accessories

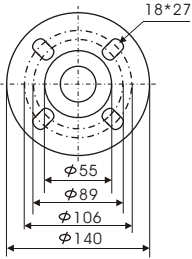
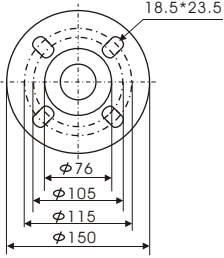
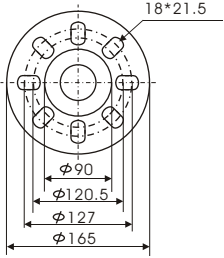
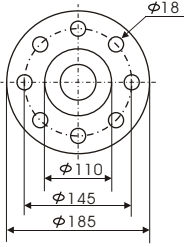
Vertical multistage centrifugal pumps

Counter flange for RVA series

they are made of stainless steel EN1.4403(AISI304)

A set consists of one counter flange, one gasket, bolts and nuts.

(Remarks: The above accessories are not necessary for pumps, there will be extra charge for them if needed)

counter flange	pump type	description	rated pressure	pipe work Connection	product Number
		Threaded	16 bar, EN 1092-2	G1	
	RVA1 RVA2 RVA3 RVA4 RVA5	For welding	25 bar, EN 1092-2	25mm, nominal	
		Threaded	16 bar, EN 1092-2	G1 ¹ / ₄	
		For welding	25 bar, EN 1092-2	32mm, nominal	
		Threaded	16 bar, EN 1092-2	G1 ¹ / ₂	
		Threaded	16 bar, EN 1092-2	G2	
	RVA10	Threaded	16 bar, EN 1092-2	G2	
		For welding	25 bar, EN 1092-2	40mm, nominal	
		For welding	25 bar, special flange	50mm, nominal	
		Threaded	16 bar, special flange	G2 ¹ / ₂	
		Threaded	16 bar, EN 1092-2	G2	
	RVA15 RVA20	Threaded	16 bar, special flange	G2 ¹ / ₂	
		Threaded	16 bar, special flange	G2 ¹ / ₂	
		For welding	25 bar, EN 1092-2	50mm, nominal	
		For welding	25 bar, special flange	65mm, nominal	
		Threaded	16 bar	G2 ¹ / ₂	
		Threaded	16 bar, special flange	G3	
		For welding	16 bar	65mm, nominal	
	RVA32	For welding	40 bar	65mm, nominal	
		For welding	16 bar, special flange	80mm, nominal	
		For welding	25 bar, special flange	80mm, nominal	

Accessories

Vertical multistage centrifugal pumps

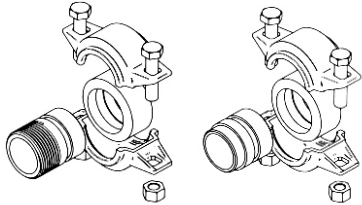
counter flange	pump type	description	rated pressure	pipe work Connection	product Number
	RVA45	Threaded	16 bar	G3	
		For welding	16 bar	80mm,nominal	
		For welding	40 bar	80mm,nominal	
	RVA64 RVA90	Threaded	16 bar	G4	
		For welding	16 bar	100mm,nominal	
		For welding	40 bar	100mm,nominal	

PJE Couplings for RVA series

they are made of stainless steel EN1.4403(AISI304)


A set consists of one clamp, one gasket, bolts and nuts.

(Remarks: The above accessories are not necessary for pumps, there will be extra charge for them if needed)

counter flange	pump type	description	PN	pipe work Connection	rubber parts	Number of coupling sets needed
	RVA1 RVA2 RVA3	Threaded	80bar	G1 ¹ / ₄	EPDM	2
	RVA4 RVA5	For welding	80bar	DN32	FKM	2
	RVA10 RVA15 RVA20	Threaded	70bar	G2	EPDM	2
		For welding	70bar	DN50	FKM	2

Edition:2013.08

The technical data are subject to amend without notice.

	Vendor Ref. No.	
	Contractor Ref. No.	
Project Name:	Contractor Job No.	

JOCKEY PUMP CONTROLLER

<i>0</i>	<i>SUBMITTED FOR APPROVAL</i>				
Rev	Description	Prepared	Checked	Approved	Date



TORNATECH

Project: _____

Customer: _____

Engineer: _____

Pump Manufacturer: _____

Technical Data Submittal Document

Model JP3

Across the Line Start
Jockey Pump Controller



Contents:

Data Sheets

Dimensional Data

Wiring Schematics

Field Connections

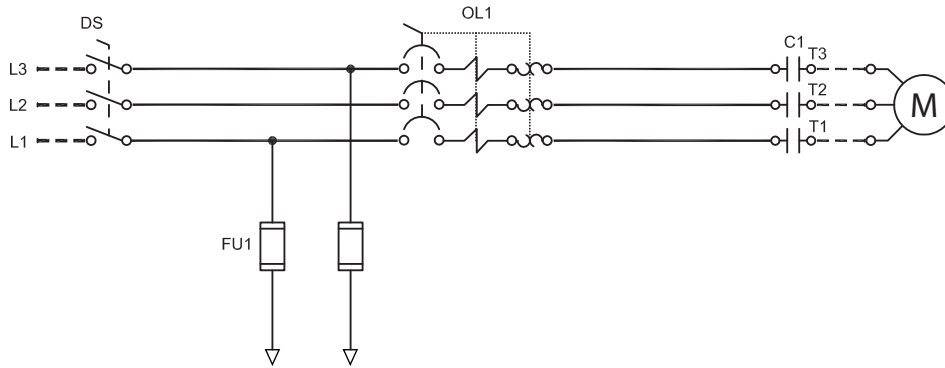
Note: The drawings included in this package are for controllers covered under our standard offering. Actual AS BUILT drawings may differ from what is shown in this package.



N.Y.C.
APPROVED



November 2020



N.Y.C.
APPROVED



OPTIONAL



Listing	Underwriters Laboratory (UL)	UL508A - Industrial Pump Controllers	
	New York City	Accepted for use in the City of New York by the Department of Buildings	
	Seismic Certification	See page 4 for details	
	Optional		
	<input type="checkbox"/> CE Mark	Various EN, IEC & CEE directives and standards	
Enclosure	Protection Rating		
	<input type="checkbox"/> Standard: NEMA 2		
	Optional		
	<input type="checkbox"/> NEMA 12	<input type="checkbox"/> NEMA 4X-304 sst painted	<input type="checkbox"/> IP54
	<input type="checkbox"/> NEMA 3	<input type="checkbox"/> NEMA 4X-304 sst brushed finish	<input type="checkbox"/> IP55
	<input type="checkbox"/> NEMA 3R	<input type="checkbox"/> NEMA 4X-316 sst painted	<input type="checkbox"/> IP65
	<input type="checkbox"/> NEMA 4	<input type="checkbox"/> NEMA 4X-316 sst brushed finish	<input type="checkbox"/> IP66
Accessories • Wall mounting lugs (x4)		Paint Specifications • Red RAL3002 • Powder coating • Glossy textured finish	

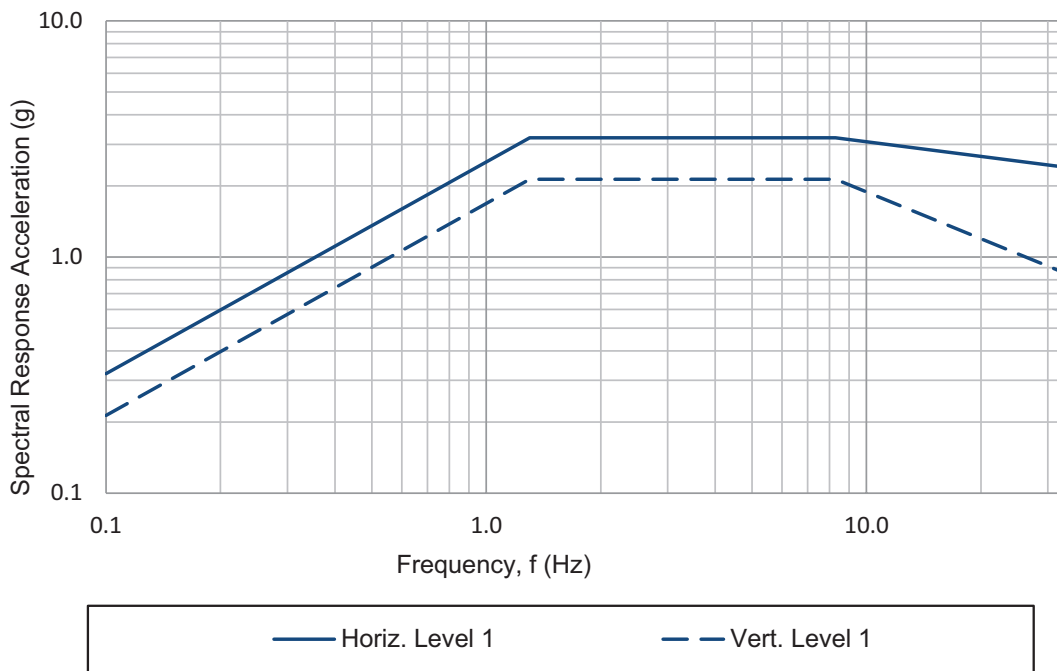


Fuseless Motor Starter	<ul style="list-style-type: none"> • Main disconnect – padlockable – rotary type handle – door interlocked • Thermo-magnetic motor protector • Contactor 		
Control Circuit	<ul style="list-style-type: none"> • 24V.AC 		
iPD+ Operator Interface	<ul style="list-style-type: none"> • Solid state controls • All adjustments on door front • Navigation pushbuttons 		
Pressure Sensing	<ul style="list-style-type: none"> • Pressure transducer for fresh water application 316 stainless steel construction • Rated for 0-600psi working pressure • Pressure sensing line connection 1/2" brass Male NPT 		
Visual Indications	<ul style="list-style-type: none"> • Manual motor start/run LED • Automatic motor start/run LED • Motor overload • Pressure reading <ul style="list-style-type: none"> • Start pressure • Stop pressure • System pressure • System pressure diagnostic LED's <ul style="list-style-type: none"> • Green: system pressure at or above stop pressure • Yellow: system pressure between start and stop pressure • Red: system pressure at or below start pressure • AUTO mode • OFF mode 		
Timers	<ul style="list-style-type: none"> • Minimum run timer (off delay) • Delay start timer (on delay) • Visual countdown 		
Counters	<ul style="list-style-type: none"> • Pump start counter • Elapsed timer meter (hours / non-resettable) 		
Operators	<ul style="list-style-type: none"> • OFF-AUTO pushbutton • Start and Stop pushbutton 		
Operation	Automatic Start	Start on pressure drop	
	Manual Start	Start pushbutton	
	Stopping	Stop pushbutton	
	Timers	Field adjustable & visual countdown	<ul style="list-style-type: none"> • Minimum run timer (off delay) • Delay start timer (on delay)



Seismic Certification	Seismic Certification Company	TRU Compliance, LLC A Tobalski Watkins Affiliate					TWEI Project No.: 15014				
	Mounting details	Rigid wall mounting									
	Seismic Information	Building Code	Test Criteria	Seismic Parameters	S_{DS}	z/h	I_P	A_{FLX-H}	A_{RIG-H}	A_{FLX-V}	A_{RIG-V}
	IBC 2015, CBC 2016	ICC-ES AC156	ASCE 7-10 Chapter 13	2.0	1.0	1.5	3.20	2.40	1.33	0.53	
				3.2	0.0	1.5	3.20	1.28	2.13	0.85	

RRS for Nonstructural Components Testing



Notes:

- Components are tested in accordance with ICC-ES AC156, IBC 2015 & CBC 2016.
- OSHPD Special Seismic Certification Preapproval (OSP)

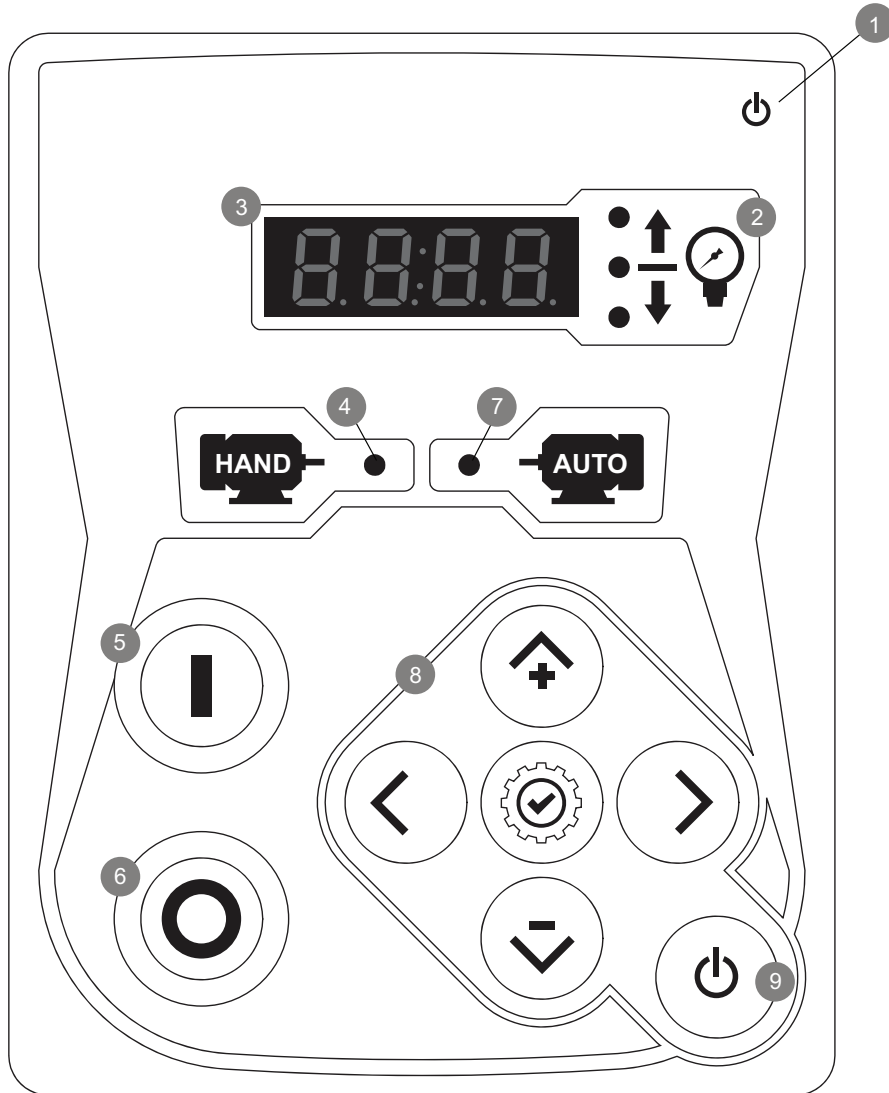


<input type="checkbox"/> A4	Elapsed time meter (time totalizer)
<input type="checkbox"/> A5	Motor run alarm contact
<input type="checkbox"/> A6	Loss of power alarm contact
<input type="checkbox"/> A7	Overload or short circuit alarm contact
<input type="checkbox"/> D11D	Pressure transducer 0-600psi with ½" MNPT 316 stainless steel bushing
<input type="checkbox"/> D14	Export packing for 1 controller
<input type="checkbox"/> D13A	Externally mounted wetted parts
<input type="checkbox"/> D14	Export packing for 1 controller
<input type="checkbox"/> D18	Audible alarm
<input type="checkbox"/> D19	Anti-condensation heater and thermostat
<input type="checkbox"/> D20	Anti-condensation heater and humidistat
<input type="checkbox"/> D21	Tropicalization
<input type="checkbox"/> D22	Phase reversal / failure pilot light and alarm contact
<input type="checkbox"/> D23	Controller power healthy pilot light and alarm contact
<input type="checkbox"/> D24	Pump failure via current sensing relay with pilot light and dry alarm contact
<input type="checkbox"/> D25	Low zone pump control function
<input type="checkbox"/> D26	Mid zone pump control function
<input type="checkbox"/> D27	High zone pump control function
<input type="checkbox"/> D28	Selector switch in auto alarm contacts
<input type="checkbox"/> D29	Selector switch in off alarm contacts
<input type="checkbox"/> D30	Motor heater circuit
<input type="checkbox"/> D32	Service entrance rated - 100kA short circuit withstand rating: • 120V/1ph (0.5hp max.) • 240V/1ph (1hp max.) • 200V-208V - 60hz (2hp max.) • 220V-240V - 60hz (3hp max.) • 380V-416V - 50hz - 60hz (5hp max.) • 440V-480V - 60hz (5hp max.)
<input type="checkbox"/> D33	Service entrance rated - 65kA short circuit withstand rating: • 120V/1ph (0.5hp max.) • 240V/1ph (1hp max.) • 200V-208V - 60hz (3hp-15hp max.) • 220V-240V - 60hz (515hp max.) • 380V-416V - 50hz - 60hz (7.5hp - 40hp max.) • 440V-480V - 60hz (7.5hp-40hp max.)
<input type="checkbox"/> D34	Service entrance rated - 42kA short circuit withstand rating: • 600V - 60hz (7.5hp max.)

<input type="checkbox"/> L01	Other language and English (bilingual)
<input type="checkbox"/> L02	French
<input type="checkbox"/> L03	Spanish
<input type="checkbox"/> L04	German
<input type="checkbox"/> L05	Italian
<input type="checkbox"/> L06	Polish
<input type="checkbox"/> L07	Romanian
<input type="checkbox"/> L08	Hungarian
<input type="checkbox"/> L09	Slovak
<input type="checkbox"/> L10	Croatian
<input type="checkbox"/> L11	Czech
<input type="checkbox"/> L12	Portuguese
<input type="checkbox"/> L13	Dutch
<input type="checkbox"/> L14	Russian
<input type="checkbox"/> L15	Turkish
<input type="checkbox"/> L16	Swedish
<input type="checkbox"/> L17	Bulgarian
<input type="checkbox"/> L18	Thai
<input type="checkbox"/> L19	Indonesian
<input type="checkbox"/> L20	Slovenian
<input type="checkbox"/> L21	Danish
<input type="checkbox"/> L22	Greek
<input type="checkbox"/> L23	Arabic
<input type="checkbox"/> L24	Hebrew
<input type="checkbox"/> L25	Chinese

Note: Options chosen from this page are not electrically represented on the wiring schematics in this submittal package.

iPD+ Operator Interface



- | | |
|-----------------------|-------------------------|
| 1 - Power on LED | 6 - STOP pushbutton |
| 2 - System status LED | 7 - Auto start LED |
| 3 - Digital display | 8 - Navigation keypad |
| 4 - Hand start LED | 9 - ON - OFF pushbutton |
| 5 - START pushbutton | |

Jockey Pump Controller

Across the Line / 3 Phase

Model:JP3

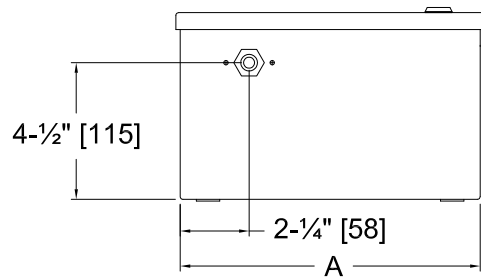
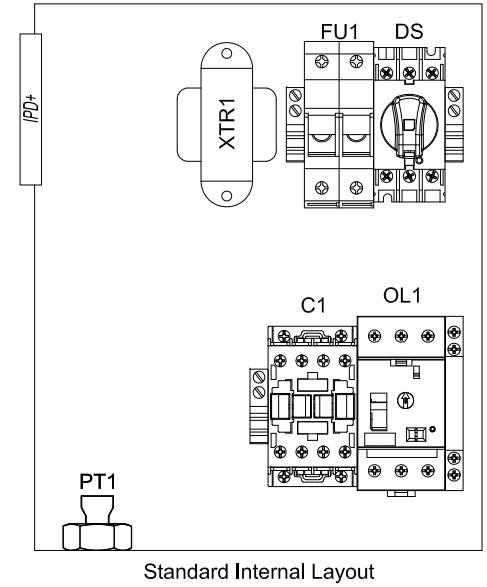
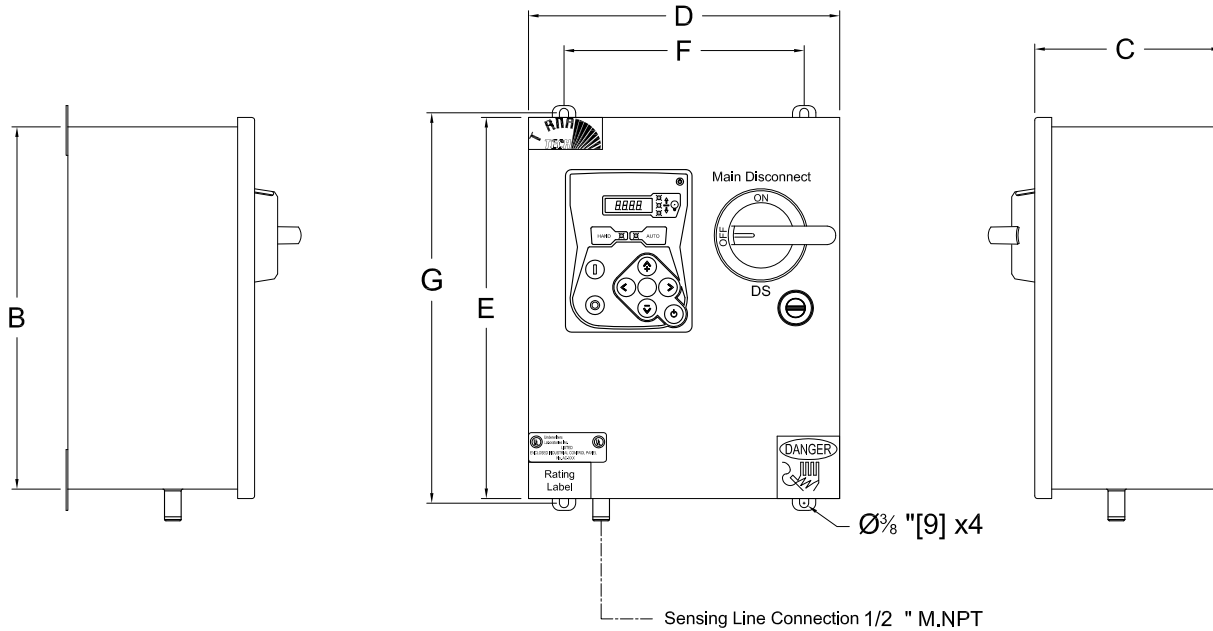
PER QUOTE DRAWING No.



REV.	DESCRIPTION	DD/MM/YY
7	Revised logo	18/06/18
8	Sensing line connection changed	25/03/25
9	UL logo updated CSA logo removed	14/07/20

Drawing No: JP3-DI500/E

Dimensions



Dimensions*					Enclosure Dimensions A X B X C	Door Dimensions D X E	Anchor Dimensions F X G
Maximum Motor Horsepower							
200-208V	220-240V	380-416V	440-480V	575-600V	10"X12"X6-1/2"	10-3/4"X12-3/4"	8"X12-3/4"
10HP	10HP	15HP	20HP	25HP	16"X16"X7-1/2"	16-1/2"X16-1/2"	14"X16-3/4"
20HP	30HP	40HP	60HP	60HP			

Notes:

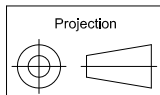
- Standard NEMA: NEMA 2
- Standard Paint: Textured Red RAL 3002.
- All Dimensions are in Inches [Millimeters]
- Use Watertight Conduit and Connector Only.
- Protect Equipment Against Drilling Chips.
- Door Swing Equal to Door Width

Drawing for information only.

Manufacturer reserves the right to modify this drawing without notice.

Contact manufacturer for "As Built" drawing.

*Dimensions may change depending on option required. Consult Factory for exact dimensions.



Jockey Pump Controller

Across the Line / 3 Phase

Model:JP3

Wiring schematic

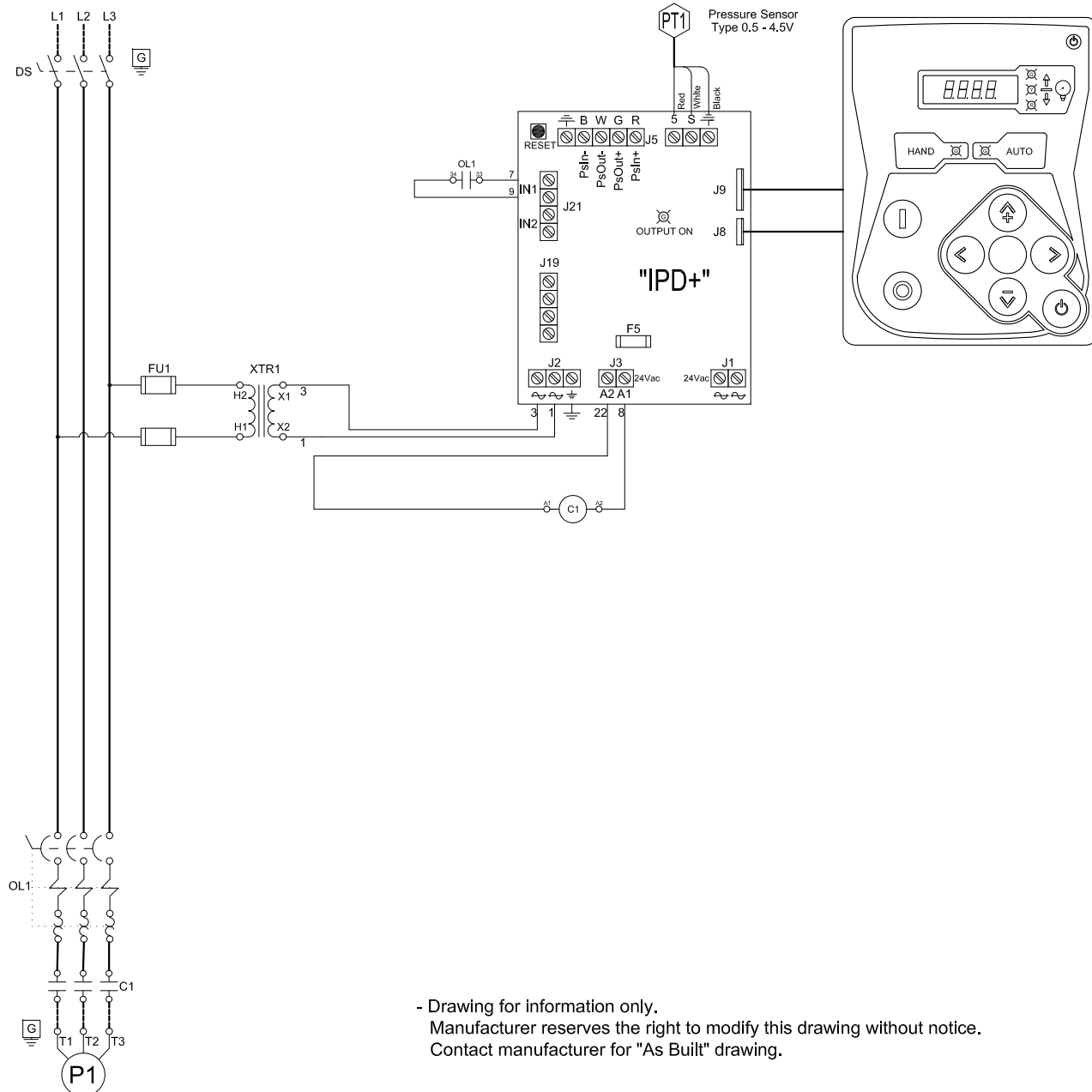
PER QUOTE DRAWING No.



REV.	DESCRIPTION	DD/MM/YY
6	Modified J19 Outputs ID	10/06/16
7	Revised logo	18/06/18
8	UL logo updated CSA logo removed	14/07/20

Drawing No:

JP3-WS500/E



- Drawing for information only.
 Manufacturer reserves the right to modify this drawing without notice.
 Contact manufacturer for "As Built" drawing.

Jockey Pump Controller

Across the Line / 3 Phase

Model:JP3

Line and Motor Terminal Size

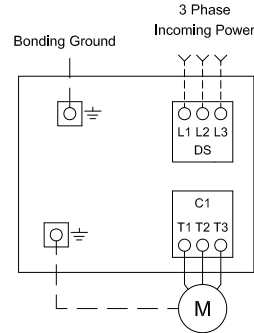
PER QUOTE DRAWING No.



REV.	DESCRIPTION	DD/MM/YY
6	Modified J19 Outputs ID	10/06/16
7	Revised logo	18/06/18
8	UL logo updated CSA logo removed	14/07/20

Drawing No:
JP3-TD500/E

Power Connections and Motor Connections




Line Terminals (L1,L2,L3,GND)

Maximum Motor Horsepower					Wire Size Copper Only	Torque	Wire Size Ground Copper Only
200-208V	220-240V	380-416V	440-480V	575-600V			
10HP	10HP	20HP	20HP	25HP	#14 AWG - #6 AWG	2 Nm	#14 AWG - #2 AWG
20HP	30HP	40HP	60HP	60HP	#12 AWG - #1 AWG	6 Nm	#6 AWG - #2 AWG


Motor Terminals (T1,T2,T3,GND)

Maximum Motor Horsepower					Wire Size Copper Only	Torque	Wire Size Ground Copper Only
200-208V	220-240V	380-416V	440-480V	575-600V			
5HP	7.5HP	10HP	15HP	20HP	#14 AWG - #10 AWG	1.8 Nm	#14 AWG - #2 AWG
10HP	10HP	15HP	20HP	25HP	#14 AWG - #6 AWG	2.5 Nm	#12 AWG - #2 AWG
15HP	20HP	30HP	50HP	50HP	#10 AWG - #3 AWG	5 Nm	#12 AWG - #2 AWG
20HP	30HP	40HP	60HP	60HP	#10 AWG - #2 AWG	11.3 Nm	#12 AWG - #2 AWG

	Vendor Ref. No.	
	Contractor Ref. No.	
Project Name:	Contractor Job No.	

ACCESSORIES

<i>0</i>	<i>SUBMITTED FOR APPROVAL</i>				
Rev	Description	Prepared	Checked	Approved	Date

	Vendor Ref. No.	
	Contractor Ref. No.	
Project Name:	Contractor Job No.	

Flow Meter

<i>0</i>	<i>SUBMITTED FOR APPROVAL</i>				
Rev	Description	Prepared	Checked	Approved	Date



GERAND ENGINEERING

"MODEL G" FIRE PUMP TEST METERS

Accurate Pump Performance and Quality Service for 50 Years



**BEST VALUE
IN THE
INDUSTRY**

**5 YEAR
WARRANTY**

**MANUFACTURED
IN THE USA**

**HIGH GRADE
MATERIALS:**

*CARBON STEEL,
STAINLESS STEEL,
EPOXY AND
MONEL*



MODEL-G METERS

-- RATING 500 PSI --
(Buttweld, Grooved,
300# Flanged)

-- RATING 275 PSI --
(150# Flanged)

CALIBRATED VENTURI &
ATTACHED GPM METER

4½" DIAL METER
MOUNTS ON
VENTURI BRACKET



**ADDITIONAL SIZES LISTED
AT WWW.GERAND.COM**

PUMP GPM	PIPE SIZE	VENTURI STYLE	METER RANGE (GPM)	VENTURI LENGTH (BUTTWELD OR GROOVED)	VENTURI LENGTH (150# FLANGED)	VENTURI LENGTH (300# FLANGED)
50	2"	685	25-100	4½" THREADED	-	-
100	2 1/2"	746	50-200	3" BUTTWELD 4" GROOVED	9½"	10"
250	4"	744	125-500	3½" BUTTWELD 3¾" GROOVED	9½"	10¾"
300	4"	744	150-600			
450	4"	744	225-900	5"	12"	13¾"
500	5"	715	250-1000			
500	6"	743	250-1000			
750	6"	743	375-1500	6"	13"	14¾"
1000	6"	743	500-2000			
1250	6"	743	625-2500			
1500	8"	750	750-3000	7"	15'	16¾"
2000	8"	750	1000-4000			
2500	8"	750	1250-5000			

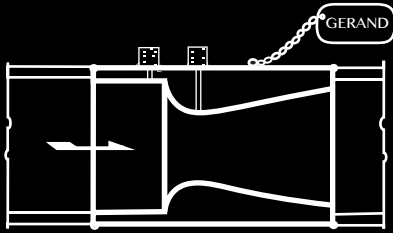
WWW.GERAND.COM FOR MORE INFORMATION

*Venturi available in Raised or Flat Face; Steel, Stainless Steel or Monel

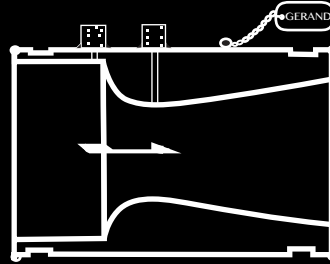
**Dual LPM/GPM Scales Available

VENTURI STYLES

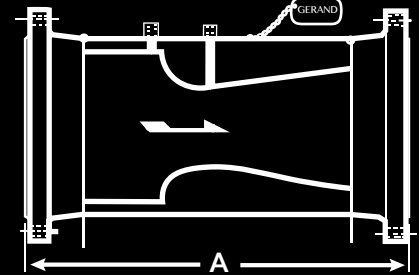
BUTTWELD



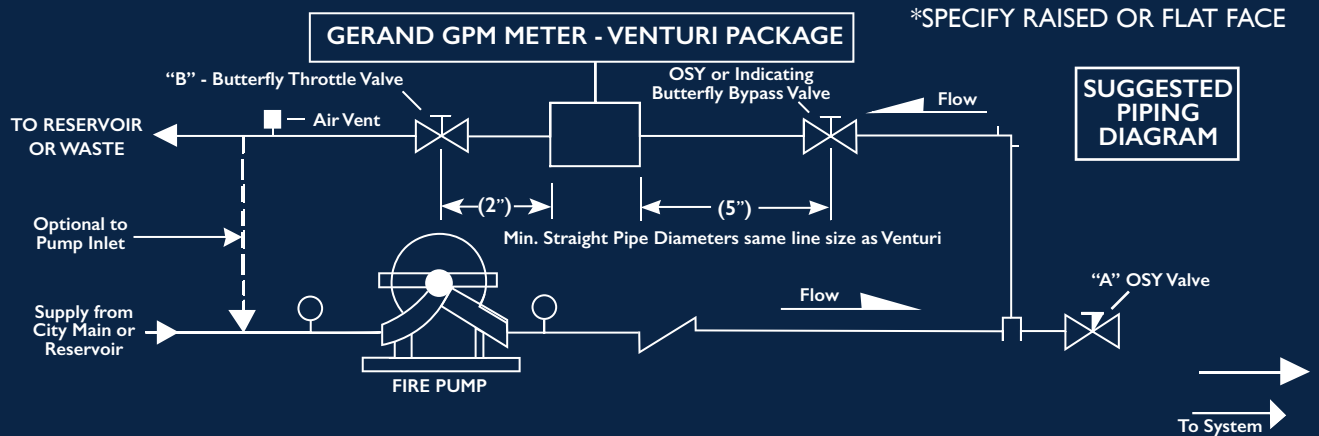
GROOVED



FLANGED



OPERATING INSTRUCTIONS



1. Close system OSY valve "A"
2. Open by-pass valve and "B" butterfly throttle valve
3. Purge meter, located on venturi, as follows:
 - a) Open station shut-off valves on venturi & vent valves attached to meter. When a steady stream of water passes through hose, meter is purged of air.
 - b) Close the vent valves after purging.
4. Start the fire pump, and read meter in GPM.
5. Refer to pump GPM requirement and adjust throttle valve to meet the requirement.
6. After the test, open valve "A" and close the by-pass and "B" valves.





Vendor Ref. No.

Contractor Ref. No.

Project Name:

Contractor Job No.

Air Release Valve

<i>0</i>	<i>SUBMITTED FOR APPROVAL</i>				
Rev	Description	Prepared	Checked	Approved	Date

► Simple, Reliable and Accurate



Figure A



- Ductile Iron Body
- Stainless Steel Trim and Float
- Easily serviced without removal from pipeline
- Available Pressure Ratings: 175 and 300
- Engineered for drip tight seal at low pressures

CLA-VAL Series 34 Fire Protection System Air Release Valves are designed to vent entrained air that collects at high points in a pipeline. This valve continuously eliminates air from a system by releasing small quantities of air before large air pockets can occur. In many installations, continuing accumulations of air in the pipeline (lacking air release valves); cause flow capacity to slowly decrease; power consumption slowly increases; un-noticeable at first, until flow drops dramatically, even stopping due to air blocks in the piping.

Another problem resulting from excessive air accumulation is unexplained pipeline rupture. These ruptures are passed off as the result of ground settling or defective pipe, where as in reality its large air pockets that greatly increase pressure surges (normally occurring) when flow stops and starts causing the rupture. During normal pipeline operation, air accumulation at the high point will displace the liquid within the air valve and lower the water level in relation to the float. As level of the liquid lowers, where the float is no longer buoyant, the float drops and opens the valve orifice seat and permitting accumulated air to be exhausted to atmosphere. After air is released, the liquid level in the air valve rises and closes the valve orifice seat. This cycle automatically repeats as air accumulates inside the air release valve, thereby preventing the formation of air pockets.

► INSTALLATION

Series 34 Fire Protection System Air Release Valves are typically installed at high-points in pipelines and at regular intervals, of approximate 1/2 mile, along uniform grade line pipe.

Mount the unit in the vertical position on top of the pipeline with an isolation valve installed below each valve in the event servicing is required. A vault with adequate air venting and drainage is recommended.

Note:

Vacuum check valves can be supplied on the discharge of all size air release valves to prevent air re-entering the system; during negative pressure conditions.

► PURCHASE SPECIFICATIONS

The fire protection system air release valve shall be of the float operated, simple lever or compound lever design, and capable of automatically releasing accumulated air from a fluid system while the system is pressurized and operating.

An adjustable designed orifice button shall be used to seal the valve discharge port with drip-tight shut-off. The orifice diameter must be sized for use within a given operating pressure range to insure maximum air venting capacity.

The float shall be of all stainless steel construction and guaranteed to withstand the designed system surge pressure without failure. The body and the cover shall be ductile iron and valve internal parts shall be stainless steel and Viton TM or Buna-N ® (standard) for water tight shut-off.

The air release valve shall be manufactured per ANSI/AWWA C512-04 Series 34 from CLA-VAL.

► PRODUCT SPECIFICATIONS

Sizes:

1/2", 3/4", 1"

Pressure Ratings: (see note)

175 UL/FM

300 UL

Note: Specify when operating pressure below 7 mhd (10 psi)

Temperature Range:

Water to 180°F

Materials:

Body and Cover: Ductile Iron ASTM 536 65-45-12

Float:

Stainless Steel

Internal Parts:

Stainless Steel

Seal:

Viton™ or Buna-N® (Standard)



CLA-VAL Series 34

Fire Protection System
Air Release Valve

▶ AIR RELEASE VALVE SIZING

Air release valve sizing requires determining the volume of air that must be released from pipeline high points during normal operation and the diameter of the pipeline. Series 34 Fire Protection System Air Release Valves are primarily used to continuously release pockets of air (as they develop) from high point, hence it is not critical to determine exact volume of air to be released.

See chart on page 3 for sizing based on venting capacity.

Air Release Valve Sizing Chart For Water Pipelines


Figure A	Model No.	Inlet Size	Outlet Size	Orifice Size	GPM	MWP	Height	Width	Wt. (lbs.)
	UL Listed • FM Approved 3450-AR332 3475-AR332 3410-AR332	1/2", 3/4", 1"	1/2"	3/32"	200 -2200	175	5-7/8"	3-3/4"	6
	FM Approved 3450-AR116.3 3475-AR116.3 3410-AR116.3								

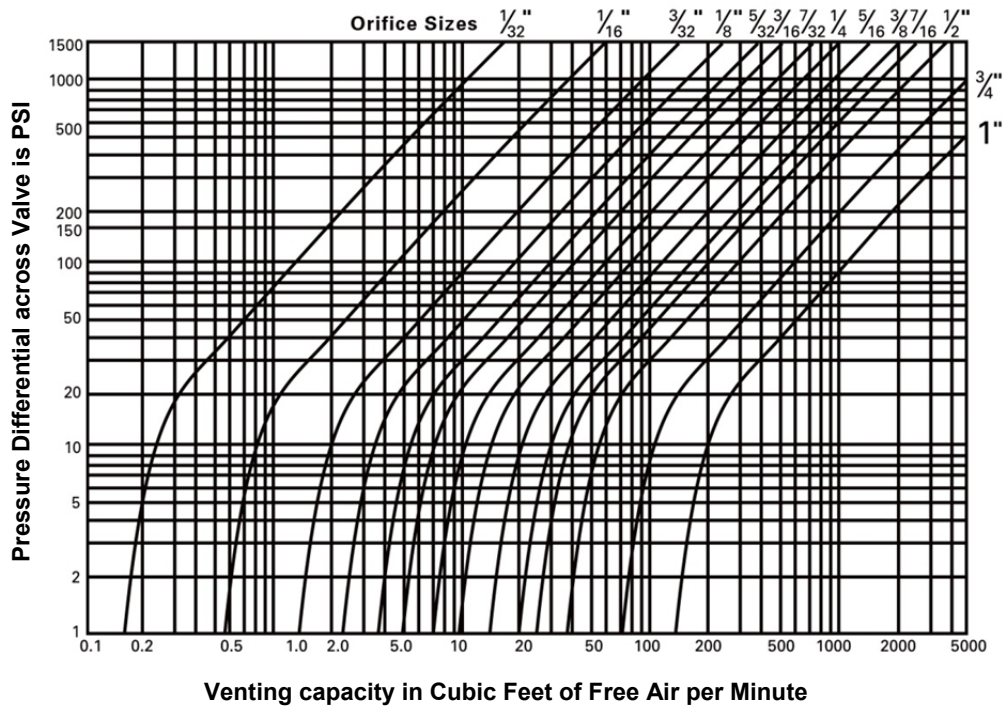


Figure A



This product complies with the California No-Lead Requirement

▶ VENTING CAPACITY GRAPH FOR AIR RELEASE VALVES



▶ VALVE SELECTION BASED ON VENTING CAPACITY

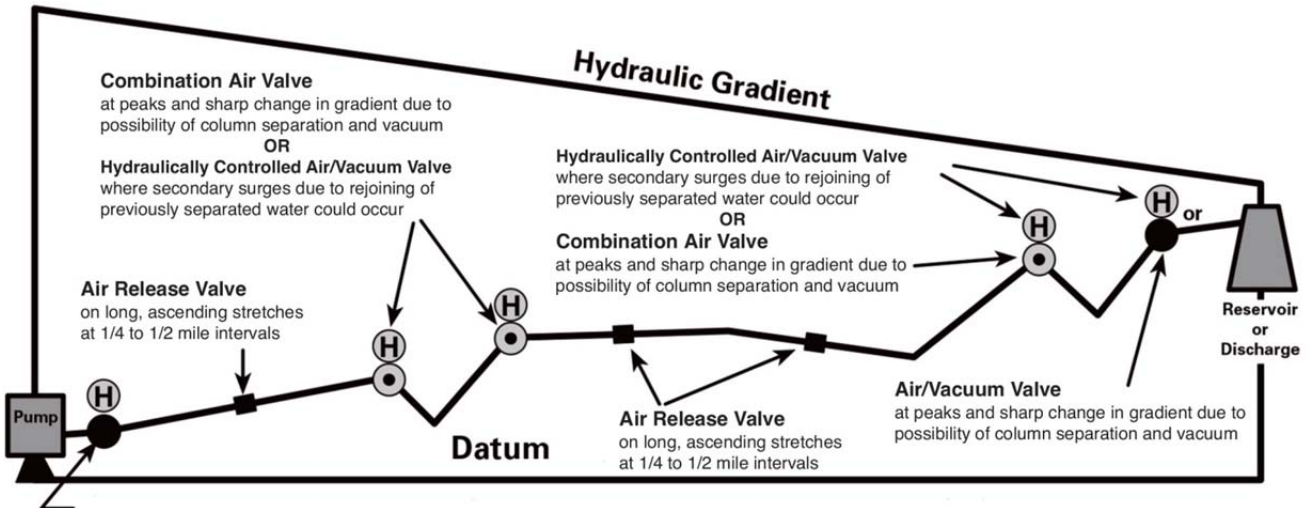
Follow these steps to select and size an air release valves when a specific venting capacity is required:

- A. Enter graph with required system pressure and venting capacity
- B. Read off nearest orifice diameter to intersection of pressure and capacity lines on graph
- C. Enter table above with orifice diameter and select valve that can use this orifice diameter with the corresponding pressure



Figure A

► SERIES 34 FIRE PROTECTION SYSTEM AIR RELEASE VALVE TECHNICAL DATA







-  Air/Vacuum Valve
-  Air Release Valve
-  Combination Air Valve
-  Hydraulically Controlled Air/Vacuum Valve



Figure A

► INSTALLATION TIPS

1. The effectiveness of Series 34 Fire Protection System Air Release Valve is dependent upon it being located at appropriate highpoints in a pipeline and at uniform intervals of approximately 2500 feet on horizontal pipelines.
2. There are four variables that can cause an air pocket to form slightly downstream of the true high point in a piping system:
 - a. Severity of the slope adjacent to the high point or change of gradient
 - b. Velocity of the liquid
 - c. Texture of the inside surface of the pipe being used
 - d. Viscosity of the fluid

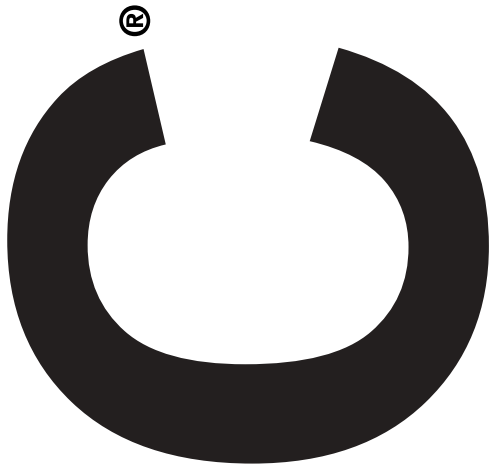
It is recommended where an air pocket can form slightly downstream of the high point, to install additional Series 34 Fire Protection System Air Release Valves at this point.
3. CLA-VAL has available, upon request, a Slide Rule Air Valve Calculator. It will greatly reduce the amount of time to size valves for pipeline service.

► OTHER TYPICAL APPLICATIONS INCLUDE:

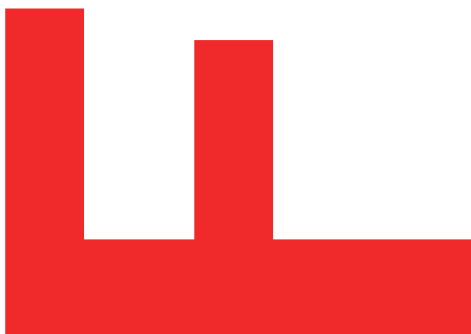
1. Centrifugal pumps
2. Hydropneumatic tanks
3. Enclosed systems
4. Sewage lines

► WHEN ORDERING, PLESASE SPECIFY:

1. Model number
2. Inlet size (NPT)
3. Inlet pressure rating
4. Orifice size



FIRE PROTECTION PRODUCTS



FWIC[®]

Born to Protect
Effective 2021

ABOUT US

Sensor Tech, a Vision World Engineering LLC Group of company having core business in production of Extinguishers, Hose Reel & Hoses, Control Valves, Hydrants and Accessories for Fire Protection Applications.

Our group is employed with more than 1200 young and energetic Engineer's and Work force, executing various project in Oil and Gas, Marine and MEP Sectors since 1995 onwards.

Sensor Tech is totally committed to improving Quality, Health, Environmental standards. We adopt stringent Quality measure to ensure the products are of high standards as per the recommendation of International Standards.

We provide complete support and solution including Design, Installation, Commissioning of various system and services which meets the highest possible standards with Local and International Code and Standards.

We have built up a strong brand name **FWC & WETPLUG** (UL, FM, LPCB & KM Listed) Supplying for Fire-fighting Industry, Oil and Gas, Water Works, Sewage and Marine Sectors in large quantity. FWIC & WETPLUG products are manufactured according to International Standards and are sold worldwide with our Group Headquarters at Dubai.

Sensor Tech is associated with globally renowned international companies in the safety industry such as Justrite Safety Group (Checkers Safety, Linebacker Cable Management, Monster Motion Safety, Notrax & Tufftrak.)

All our safety products are manufactured with 100% recycled materials to support Global Sustainability Policy. Recycling saves wastage, resources and energy; Hence, recycled products are important to achieve sustainability. With the sustainable product, Sensor Tech delivers go green products and a carbon free environment.

We welcome feedback on any topic and if you have any queries that are not answered on this website, simply email us.

A VISION WORLD ENGINEERING GROUP



GLOBAL ACCREDITATION

FWIC Valves has been consistently maintaining ISO 9001 Quality management system certified by TUV Rheinland of Germany.

GLOBAL CERTIFICATION

The company's reputation for quality and reliability is globally acclaimed. Its innovative fire protection and fire fighting products are certified by international bodies like UL, FM, LPCB, KM.

INDEX

Valves

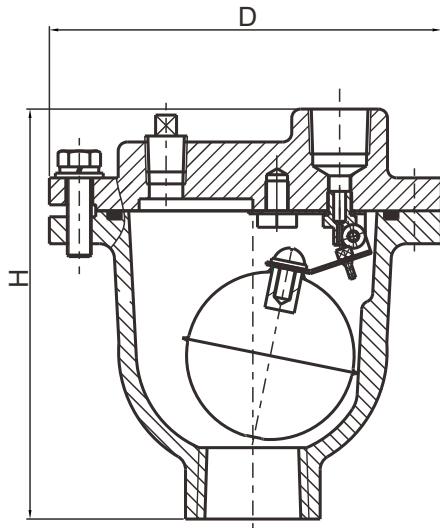
NRS Gate Valve Flange Ends 2" to 12" (UL &FM)	04
NRS Gate Valve Flange Ends 14" to 24" (UL &FM)	05
Indicator Post - Under Ground Type 4" to 12" (UL &FM)	06
Indicator Post - Under Ground Type 14" to 24" (UL &FM)	07
Indicator Post - Wall Type 4" to 12" (UL &FM)	08
NRS Gate Valve Grooved Ends 2" to 12" (UL &FM)	09
NRS Gate Valve Flange to Grooved Ends 2" to 12" (UL &FM)	10
OS&Y Gate Valve Flange Ends 2" to 12" (UL &FM)	11
OS&Y Gate Valve Flange Ends 14" to 24" (UL &FM)	12
OS&Y Gate Valve Grooved Ends 2" to 12" (UL &FM)	13
OS&Y Gate Valves Flange to Grooved Ends 2" to 12" (UL &FM)	14
Swing Check Valve Flange Ends 2" to 12" (UL & FM)	15
Butterfly Valve Grooved Ends 2" to 12" (UL & FM)	16
Butterfly Valve Wafer Ends 2" to 12" (UL & FM)	17
Y Strainer Flange Ends 2" to 12" (UL)	18
Y Strainer Grooved Ends 2" to 12" (UL)	19
Y Strainer Flange to Gooved Ends 2" to 12" (UL)	20
Air Release Valve Screwed Ends (FM)	21
Pressure Restricting Angle Valve (UL)	22
Pressure Reducing Valve	23
Lock Shield Valve	23

Air Release Valve

Screwed Ends

Model No: ST9011-200

Working pressure
200PSI




Connection Ends
NPT/BSPT/BSPP

Materials List

Part	Material	ASTM Spec.
Body	Ductile Iron	A536 65-45-12
Cover	Ductile Iron	A536 65-45-12
Level	Stainless Steel	AISI 304
Seat Ring	Stainless Steel	AISI 304
Float	Stainless Steel	AISI 304
Float Arm	Stainless Steel	AISI 304
Orifice Button	Viton	Commercial

Dimensions

DN		Inlet	Outlet	Orifice	D	H
mm	inch					
15	1/2	15	15	1.6	125	137
20	3/4	20	15	1.6	125	137
25	1	25	15	1.6	125	137

	Vendor Ref. No.	
	Vendor Doc. No.	
	Contractor Ref. No.	
Project Name:	Contractor Job No.	

Pressure Gauge

<i>0</i>	<i>SUBMITTED FOR APPROVAL</i>				
Rev	Description	Prepared	Checked	Approved	Date

Bourdon Tube Pressure Gauges Standard Series Type 111.10SP

WIKA Datasheet 111.10SP

Applications

- Fire sprinkler systems
- Suitable for all media that will not obstruct the pressure system or attack copper alloy parts

Product Features

- UL-listed (UL-393), United States and Canada
- Factory Mutual (FM) approved
- Reliable and economical

Specifications

Design

EN 837-1 & ASME B40.100

Sizes

4" (100 mm)

Accuracy class

± 3/2/3% of span (ASME B40.100 Grade B)

Ranges

0/80 psi (5,5 bar), retard to 250 psi (17 bar), air

0/300 psi (20 bar), water

0/400 psi (28 bar), water

0/600 psi (40 bar), water

Working pressure

Steady: 3/4 of full scale value

Fluctuating: 2/3 of full scale value

Short time: full scale value

Operating temperature

Ambient: -40°F to 140°F (-40°C to 60°C)

Media: 140°F (+60°C) maximum

Temperature error

Additional error when temperature changes from reference temperature of 68°F (20°C) ±0.4% of span for every 18°F (10°K) rising or falling.



Bourdon Tube Pressure Gauge Type 111.10SP

Bourdon tube

Material: copper alloy
C-shape

Pressure connection

Material: copper alloy
1/4" NPT lower mount (LM)

Movement

Copper alloy

Dial

White aluminum with stop pin; black and red lettering

Pointer

Black aluminum

Case

Black polycarbonate

Window

Snap-in clear polycarbonate

Approvals

UL listed (UL-393)

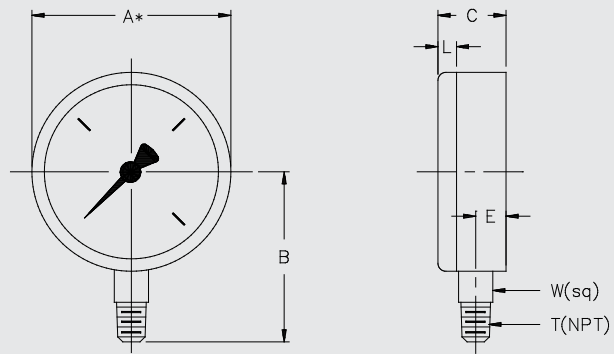
Factory Mutual

Optional Extras

(not all options are UL or FM approved)

- Brass restrictor
- Black-painted steel case
- Custom dial layout
- Other dual scales in combination with psi are available:
bar, kPa, MPa, kg/cm²

Dimensions



Size		A	B	C	E	L	T	W	Weight
4"	mm	100	71	30	11.5	3.75		14	
	in	4.0	2.79	1.18	0.45	0.15	1/4"	0.55	0.35 lb.

Ordering information

Pressure gauge model / Nominal size / Scale range / Size of connection / Optional extras required
 Specifications and dimensions given in this leaflet represent the state of engineering at the time of printing.
 Modifications may take place and materials specified may be replaced by others without prior notice.



WIKA Instrument Corporation
 1000 Wiegand Boulevard
 Lawrenceville, GA 30043-5868
 Tel: 888-WIKA-USA • 770-513-8200
 Fax: 770-338-5118
 E-Mail: info@wika.com
www.wika.com

Bourdon tube pressure gauge Model 111.11, welding gauge to ISO 5171

WIKA data sheet PM 01.03



for further approvals
see page 2

Applications

- For equipment and plants for welding, cutting and allied processes

Special features

- Design per ISO 5171
- Pressure relief in case back
- Reliable and cost-effective



Bourdon tube pressure gauge model 111.11

Description

Design

ISO 5171

Nominal size in mm

40, 50, 63

Accuracy class

2.5

Scale ranges

Welding engineering standard ranges for oxygen and acetylene to ISO 5171, as well as 0 ... 1 to 0 ... 400 bar to EN 837-1

Pressure limitation

Steady: 3/4 x full scale value

Fluctuating: 2/3 x full scale value

Short time: Full scale value

Permissible temperature

Ambient: -20 ... +60 °C

Medium: +60 °C maximum

Temperature effect

When the temperature of the measuring system deviates from the reference temperature (+20 °C): max. $\pm 0.4 \%$ /10 K of the span

Standard version

Process connection

Copper alloy, lower mount (LM), with restrictor
 NS 40: G 1/8 B (male), 14 mm flats
 NS 50,63: G 1/4 B (male), 14 mm flats

Pressure element

Copper alloy (with acetylene, max. 70 % copper content),
 C-type or helical type

Movement

Copper alloy

Dial

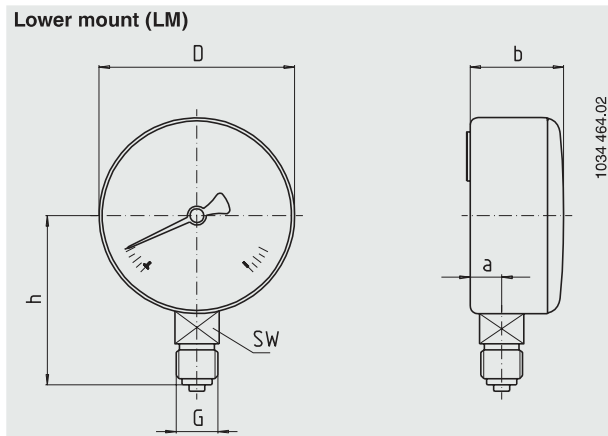
Plastic, white, with pointer stop pin
 Black lettering

Pointer

Plastic, black

Dimensions in mm

Standard version



NS	Dimensions in mm						Weight in kg
	a	b	D	G	h ±1	SW	
40	9.5	26	39	G 1/8 B	36	14	0.09
50	9.5	28	49	G 1/4 B	45	14	0.11
63	9.5	28	62	G 1/4 B	53.5	14	0.15

Process connection per EN 837-1 / 7.3

Ordering information

Model / Nominal size / Scale range / Connection size / Options

© 2010 WIKA Alexander Wiegand SE & Co. KG, all rights reserved.
 The specifications given in this document represent the state of engineering at the time of publishing.
 We reserve the right to make modifications to the specifications and materials.

Case

Steel, brass-coloured,
 with pressure relief in case back

Window

Polycarbonate, snap-fitted in case

Options

- Other process connection
- Sealings (model 910.17, see data sheet AC 09.08)
- Case brass or stainless steel
- Slip-on bezel
- Back mount (BM)
- Acetylene pressure gauge for pressure regulators for manifold systems per ISO 7291 (BAM tested)

CE conformity

Pressure equipment directive

97/23/EC, PS > 200 bar, module A, pressure accessory

Approvals

- GOST, metrology/measurement technology, Russia
- GOST-R, import certificate, Russia
- CRN, safety (e.g. electr. safety, overpressure, ...), Canada

Certificates ¹⁾


- 2.2 test report per EN 10204 (e.g. state-of-the-art manufacturing, material proof, indication accuracy)
- 3.1 inspection certificate per EN 10204 (e.g. indication accuracy)

1) Option

Approvals and certificates, see website



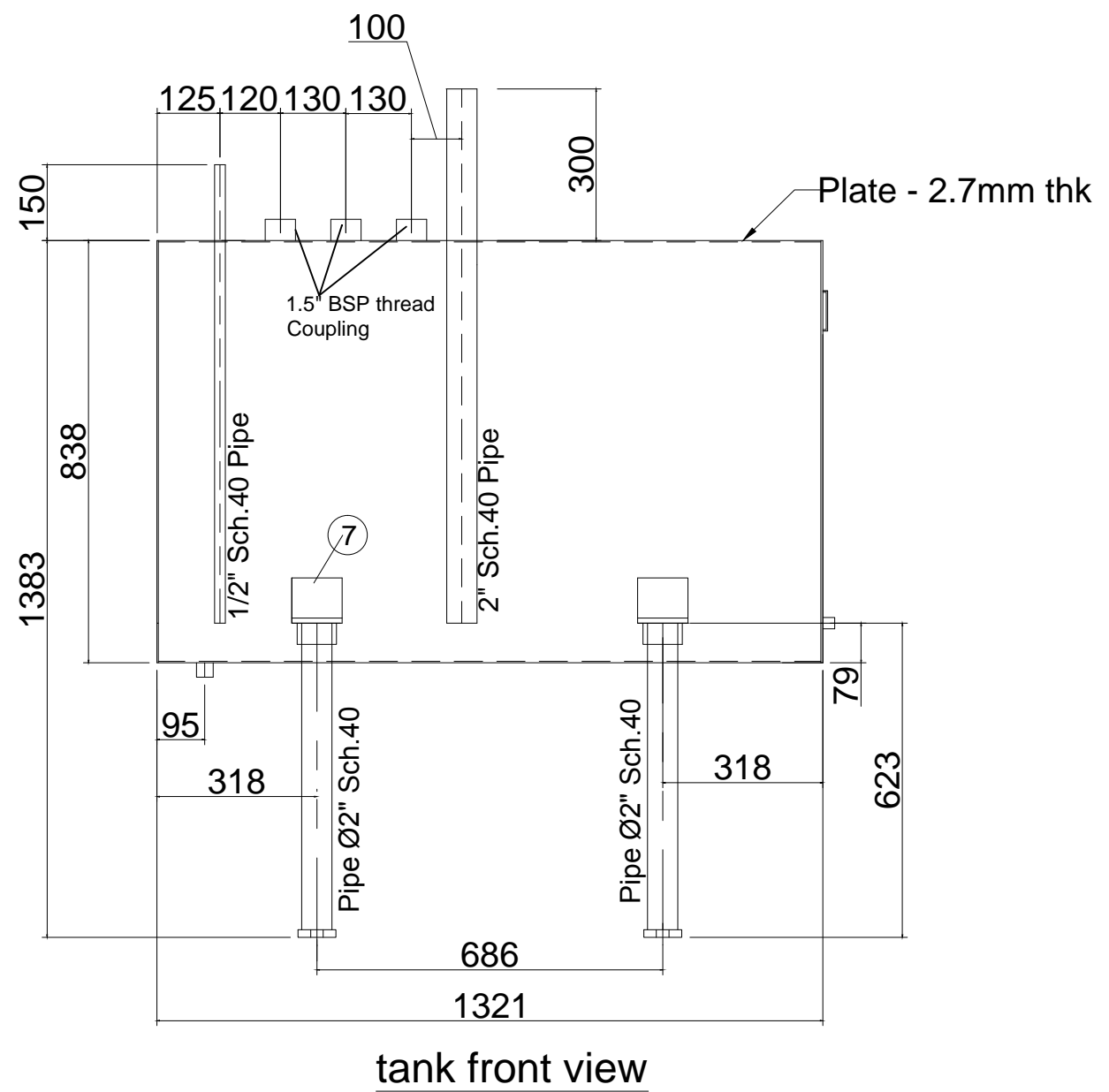
WIKAL Alexander Wiegand SE & Co. KG
 Alexander-Wiegand-Straße 30
 63911 Klingenberg/Germany
 Tel. +49 9372 132-0
 Fax +49 9372 132-406
 info@wika.de
 www.wika.de

	Vendor Ref. No.	
	Vendor Doc. No.	
	Contractor Ref. No.	
Project Name:	Contractor Job No.	

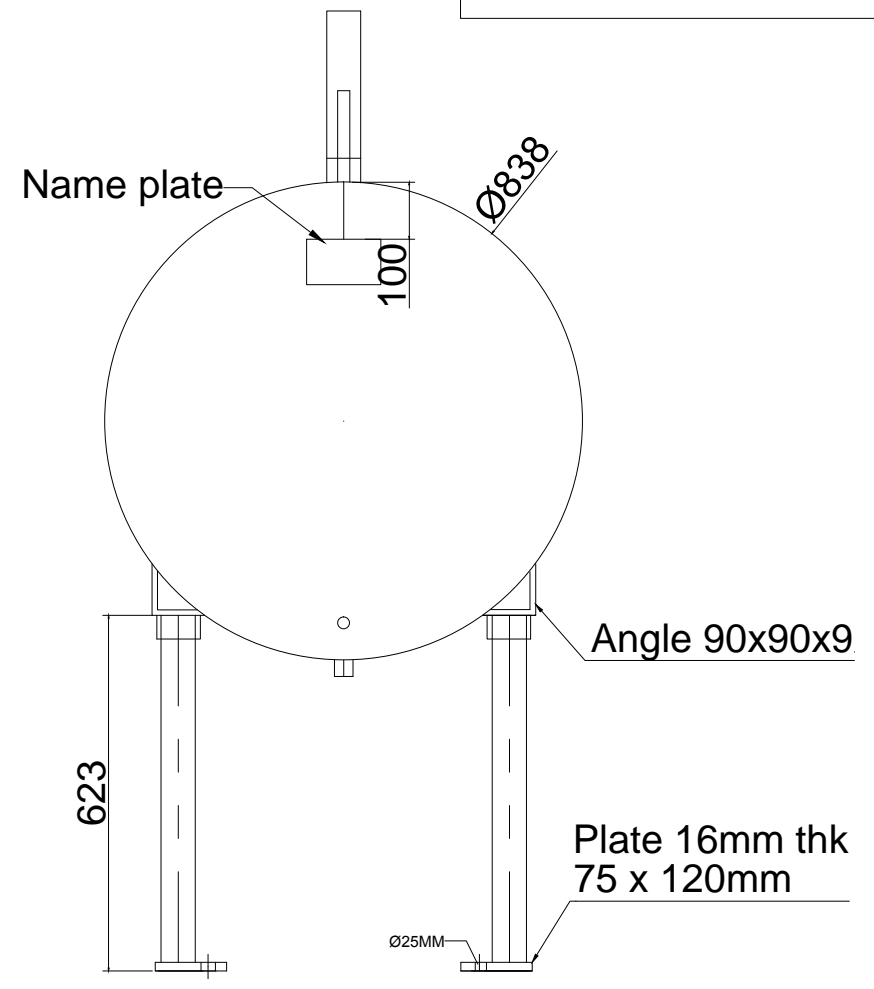
DIESEL TANK DRAWING

<i>0</i>	<i>SUBMITTED FOR APPROVAL</i>				
Rev	Description	Prepared	Checked	Approved	Date

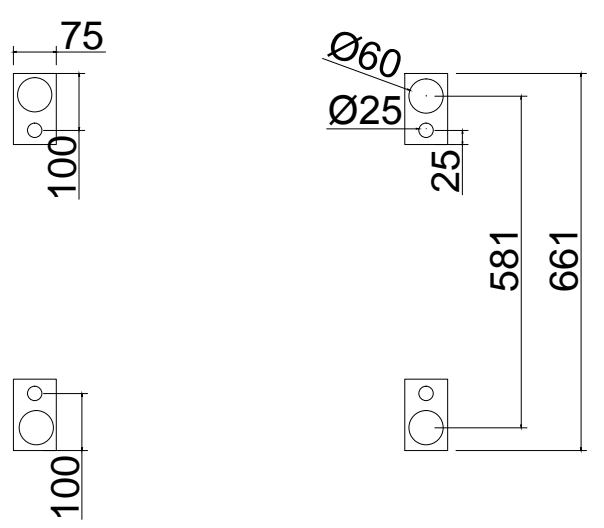
Shell Size :- 1315 x 2623 mm
 End Plate size :- Ø 832mm



tank front view



tank side view



180 US GLN Tank

1. ALL DIMENSION ARE IN MILLIMETERS AND ALL LEVELS ARE IN METERS UNLESS OTHERWISE SPECIFIED.
2. THIS DRAWING SHALL BE READ IN CONJUNCTION WITH ALL OTHER RELATED DRAWINGS.
3. ANY DISCREPANCY IN THE DRAWING SHALL BE BRING INTO NOTICE OF THE ENGINEER PRIOR TO THE EXECUTION OF WORK.
4. DO NOT COMMENCE THE WORK UNLESS THE DRAWING IS ISSUED FOR CONSTRUCTION.
5. PROJECT ENGINEERS SHALL CHECK ALL DIMENSIONS, SIZE ETC. BEFORE COMMENCING ANY WORK AT SITE.

NO.	DATE	DESCRIPTION	
00	03-07-2021	ISSUED FOR FABRICATION	
REVISIONS			
DO NOT SCALE DRAWINGS. FOLLOW WRITTEN DIMENSIONS			
PROJECT :-			
CLIENT:-			
BURIEN FIRE FIGHTING SYSTEMS CO.LLC			
CONSULTANT:-			
CONTRACTOR:-			
DRAWING TITLE			
180 US GLN TANK			
SUB CONTRACTOR:-			
DRAWN	SPS	DATE	03-Jul-2021
CHECKED	BSM	PROJECT NO.	
DESIGNED		SCALE	1:1
APPROVED		REVISION	00
DWG.NO.	MSF-BURIEN-180-001		